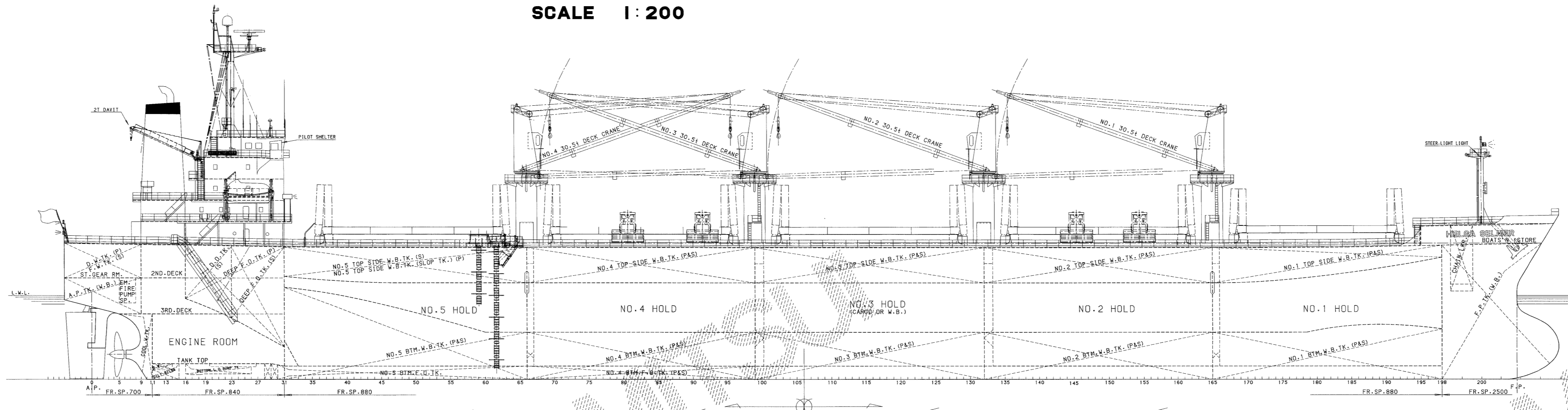
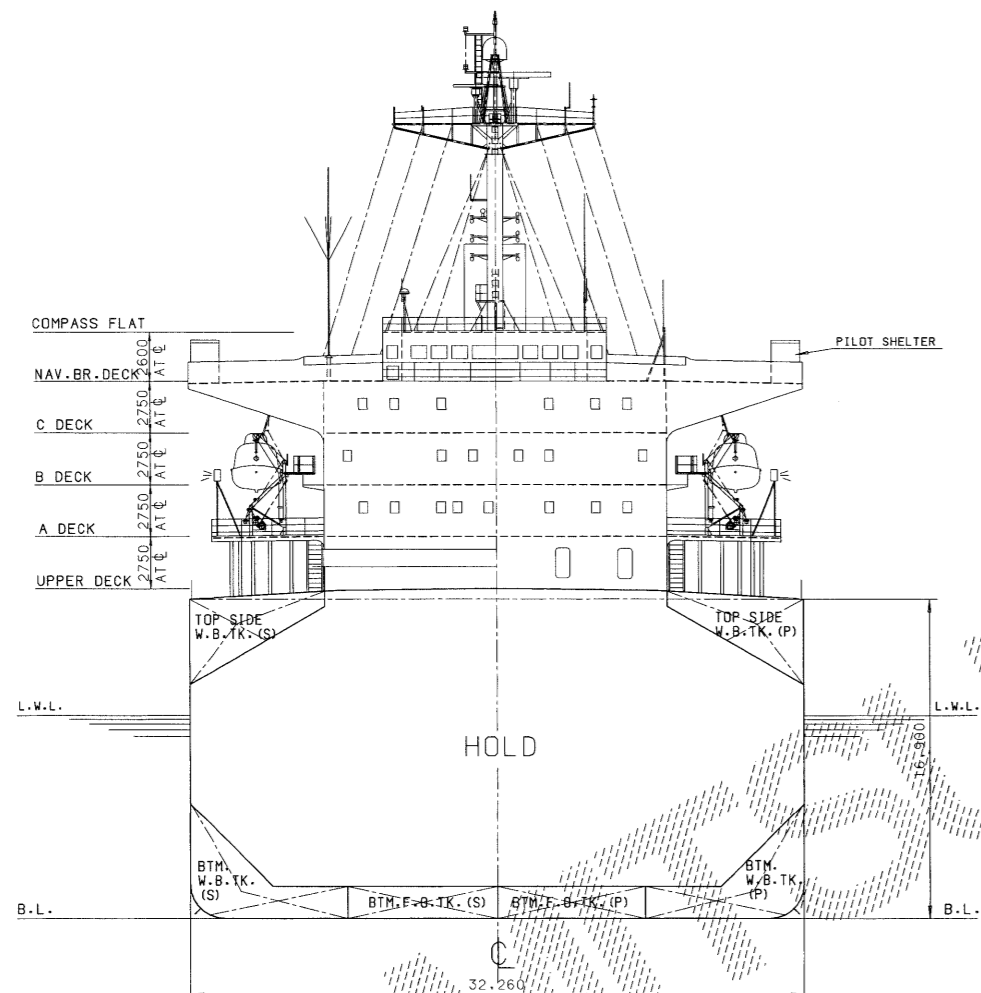


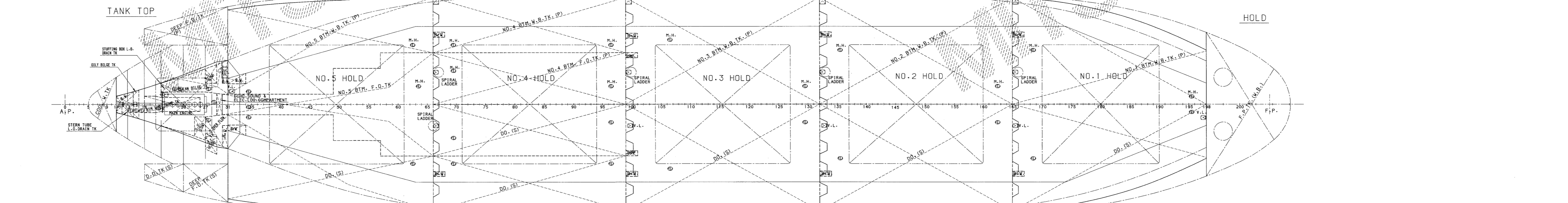
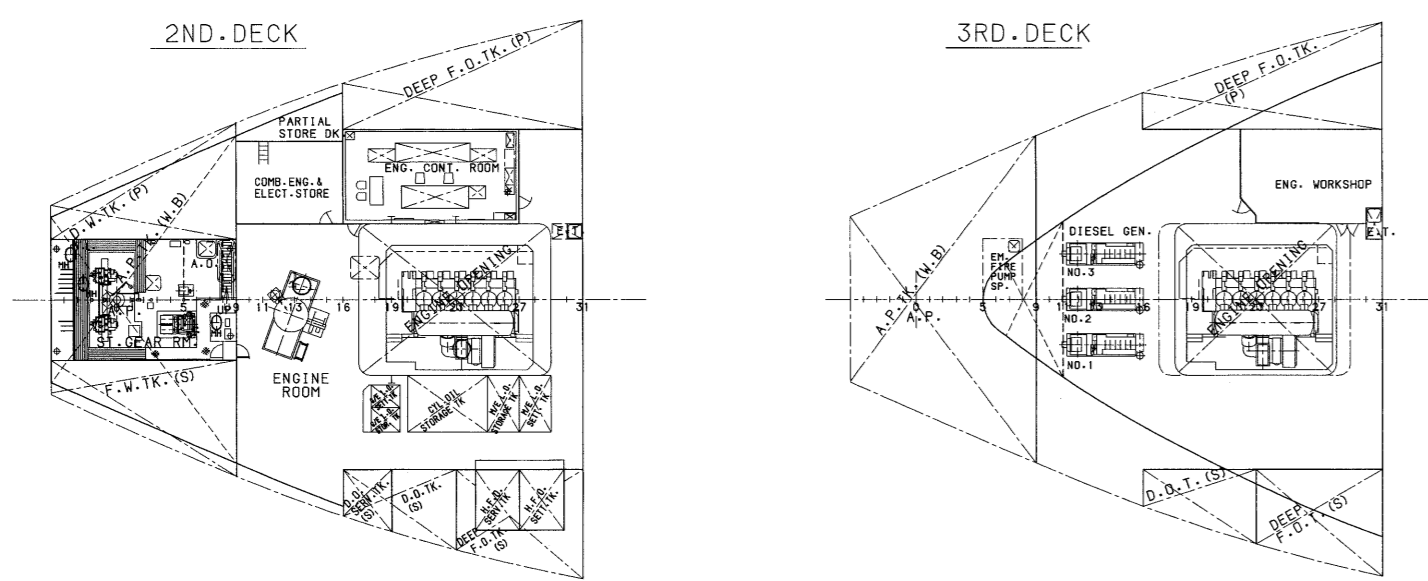
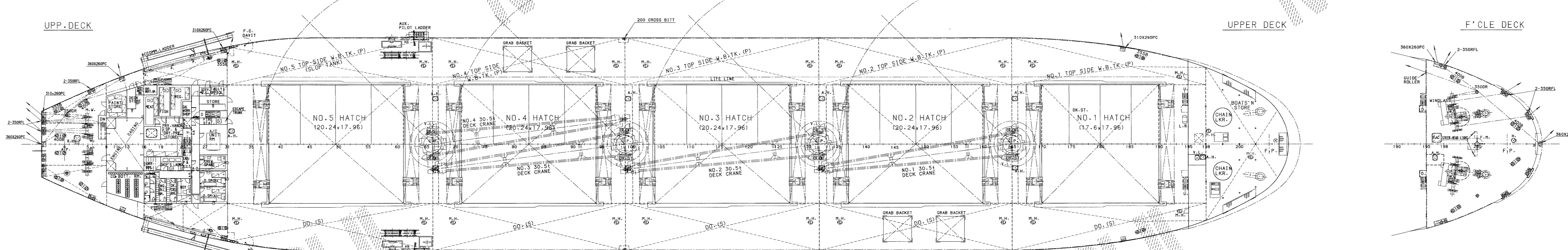
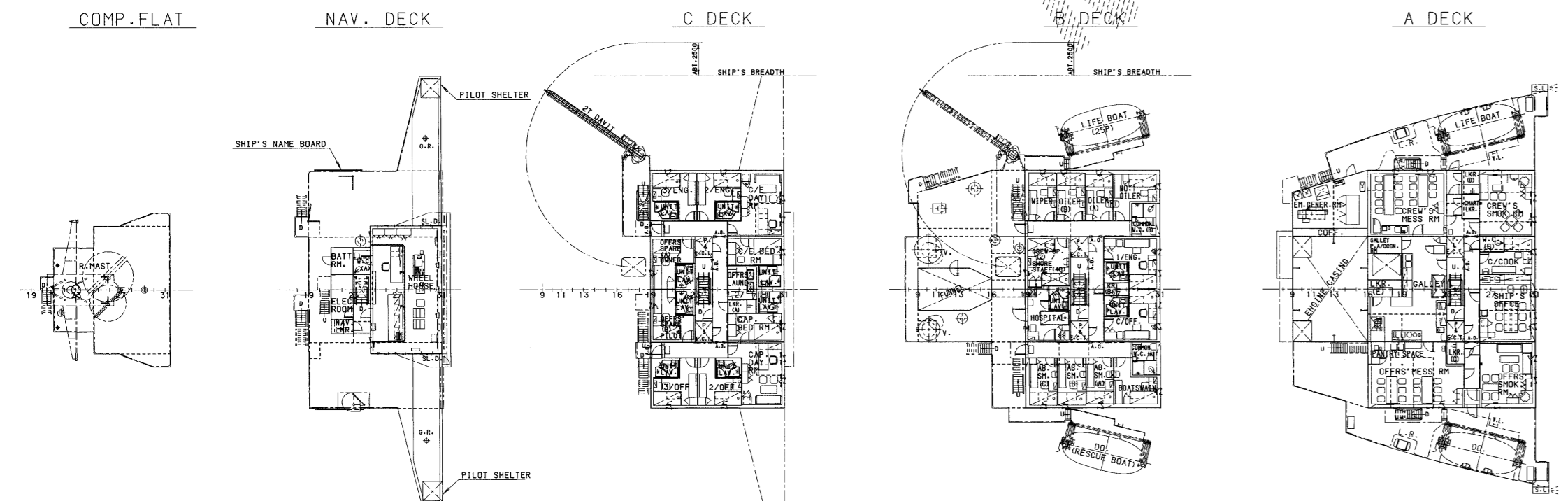
GENERAL ARRANGEMENT

SCALE 1:200

面来航
 船名: HELGA SELMER
 船種: 貨物船
 建造年: 2004
 建造所: 川崎重工業株式会社
 設計者: 船政設計部
 設計日: 2004.03.15
 設計者: 船政設計部
 設計日: 2004.03.15



PRINCIPAL PARTICULARS	
1. PRINCIPAL DIMENSIONS	
LENGTH (O.A.)	189.8 M
LENGTH (P-P)	181.00 M
BREADTH (M.D.)	32.26 M
DEPTH (M.D.)	16.90 M
DRAFT (M.D.) (DESIGN)	10.75 M
DRAFT (M.D.) (SUMMER HIGH)	11.90 M
DRAFT (M.D.) (SUMMER LOW)	10.502 M
2. TONNAGE	
GROSS (INTERNATIONAL)	27,913 T
NET (INTERNATIONAL)	16,597 T
3. DEADWEIGHT (DESIGN/PLC) (10.75m)	
DEADWEIGHT (SUMMER/PLC) (10.75m)	44,210 M.T.
DEADWEIGHT (SUMMER/PLC) (11.90m)	50,351 M.T.
DEADWEIGHT (SUMMER/PLC) (10.502m)	42,899 M.T.
4. MAIN ENGINE	
TYPE & NO.	KAWASAKI MAN B&W 8S60MC-C 1 SET
TYPE & NO.	8-990/KW X 120.3 RPM
N. S. S.	6,878/KW X 120.3 RPM
5. COMPLEMENT TOTAL 25 P.	
6. CLASS DET NORSKE VERITAS *1A1 BULK	
CARRIER: ESP. ES (S) HC-E, HOLDS 2&4	
EMPTY ED. GRAIN U. THON	
7. FLAG MARSHALL ISLANDS	



This technical document is the property of Mitsui Engineering and Shipbuilding Co., Ltd. (MESB) and may not be reproduced, distributed, or used in any form without prior written consent of Mitsui Engineering and Shipbuilding Co., Ltd. on behalf of MESB.

FINISHED PLAN
HELGA SELMER

一般配置図
 GENERAL ARRANGEMENT

MANAGER: [Signature]
 CHIEF CHECKED: [Signature]
 DRAWN: [Signature]
 DATE: 2004.6.3

SCALE 1/200 JOB NO. [Blank]

KAWASAKI
 SHIPBUILDING CORPORATION

SAKAIDE SHIPYARD
 SHIP DESIGN DEPARTMENT

2150X790 (A4+52)

HA-02

1/20001
 船名: HELGA SELMER
 船種: 貨物船
 建造年: 2004
 建造所: 川崎重工業株式会社
 設計者: 船政設計部
 設計日: 2004.03.15
 設計者: 船政設計部
 設計日: 2004.03.15