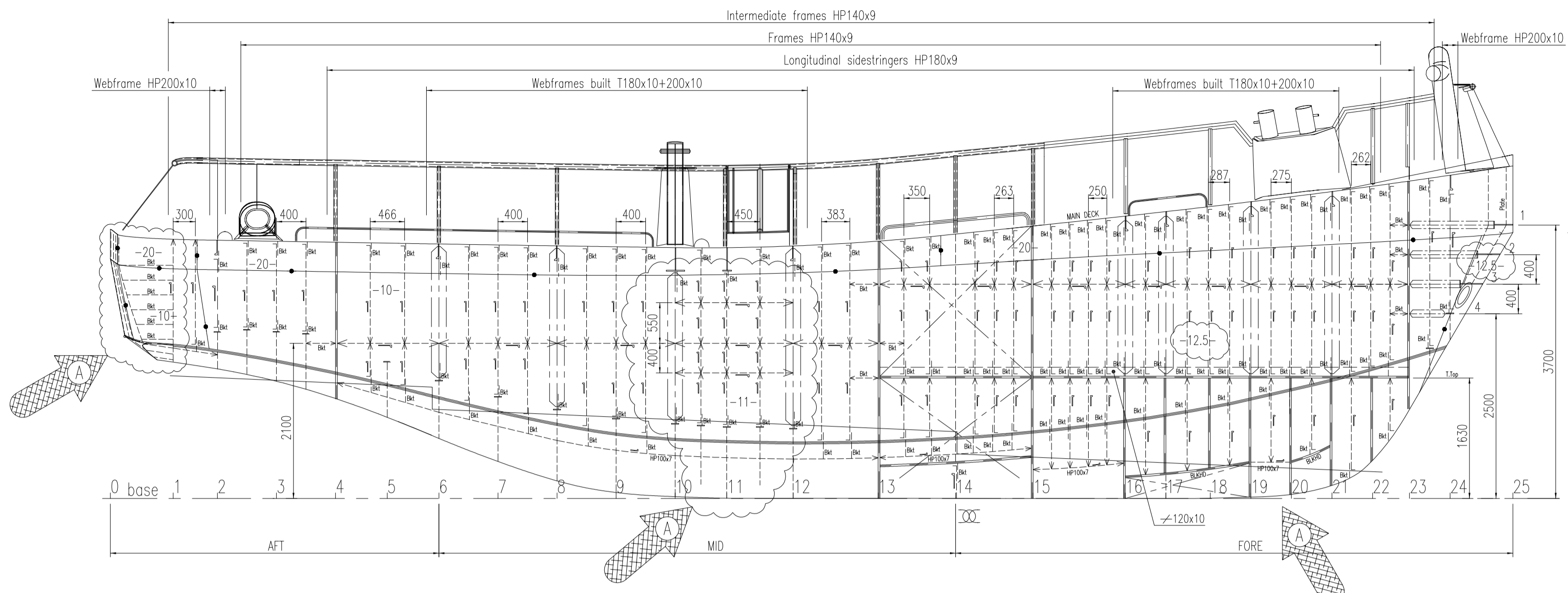
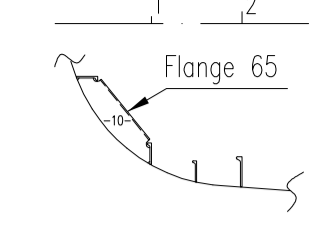


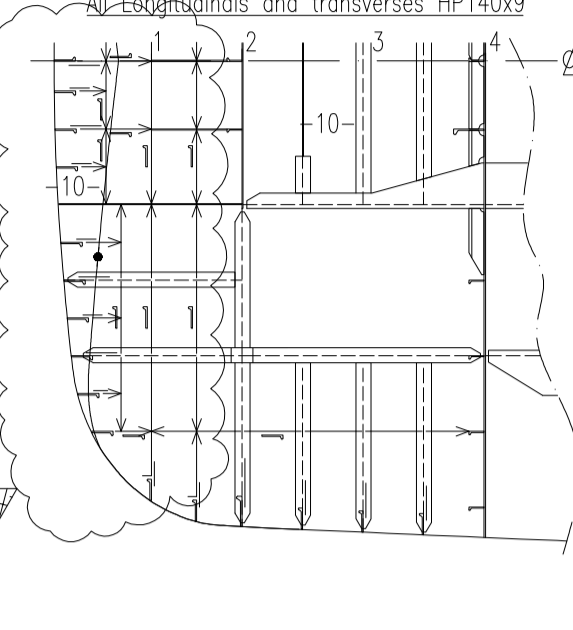
SIDE VIEW
Construction



Hor. section 2355 above base
Section 2155, 2555, 2755, 2955 and 3155 similar



Bottom view
All Longitudinals and transverses HP140x9



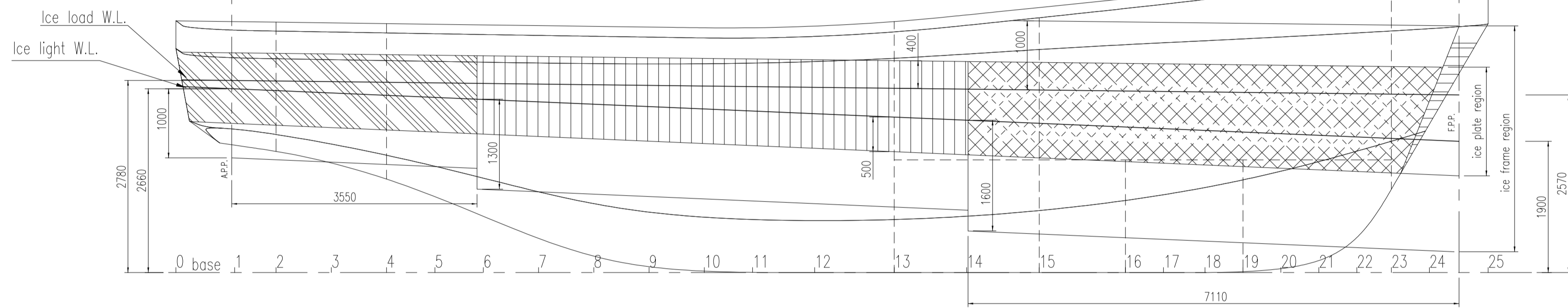
MAIN PARTICULARS

Length moulded.....Lmld = 19.000 m.
 L rule.....L = 17.770 m.
 Breadth moulded.....Bmld = 7.300 m.
 Depth moulded.....Dmld = 3.390 m.
 Speed..... = 10.50 kn.
 Engine Power..... = 1264 kW.
 Displacement..... = 195 ton.

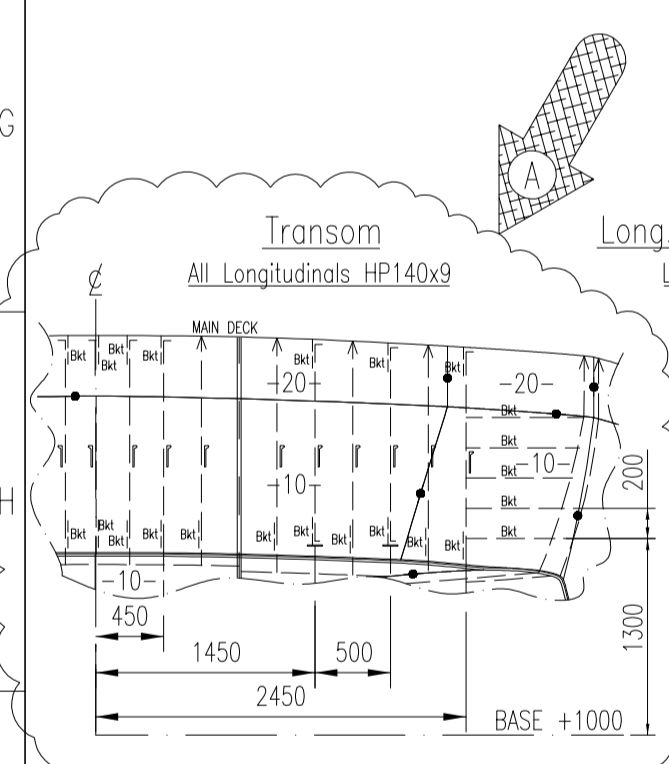
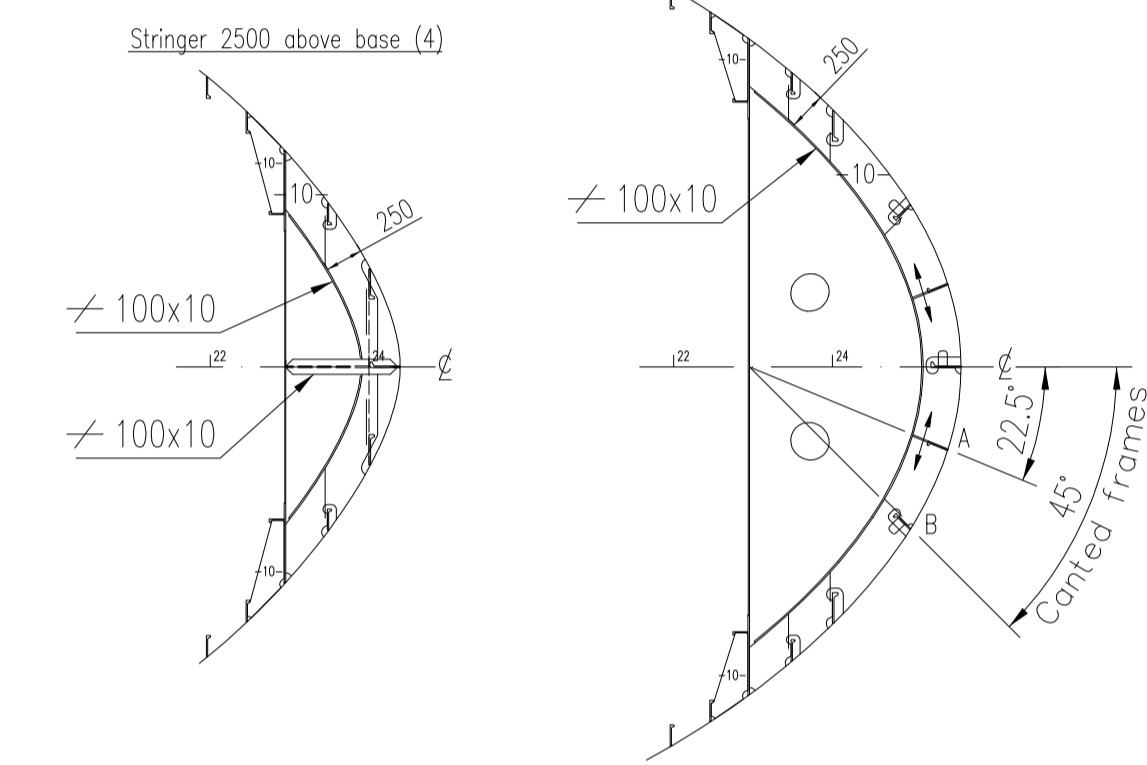
NOTE:

- All weldings in ice region continuous.

SIDE VIEW
Ice belt



Stringer 3700 above base (1)
Stringer 2 and 3 similar, however T350x10+100x10



Long. section 1450 off CL SB
Long. section 1950 similar

Long. section 2450 off CL SB
Long. section 225, 450, 700, 1200, 1700, 1950 and 2200 similar

Frame 2
Intern. frame 2.5 and 3.5 similar

Frame 3
Intern. frame 2.5 and 3.5 similar

Frame 10

Frame 11

Webframe 12
Frame 6 and 8 similar

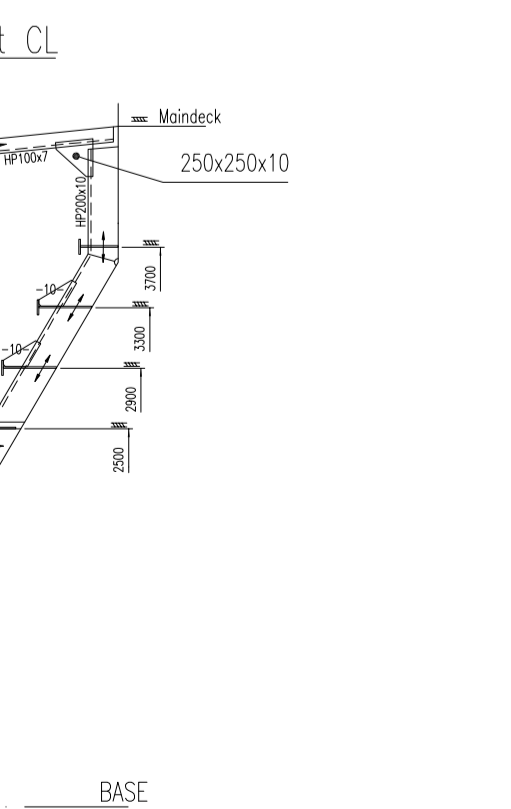
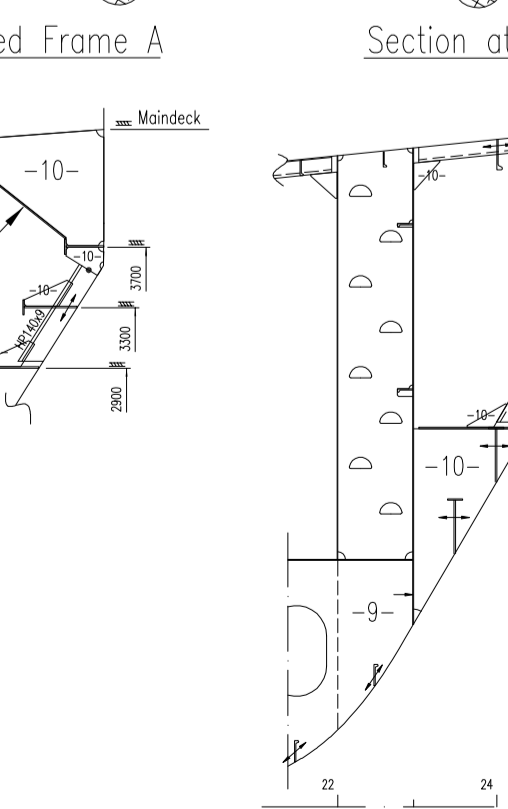
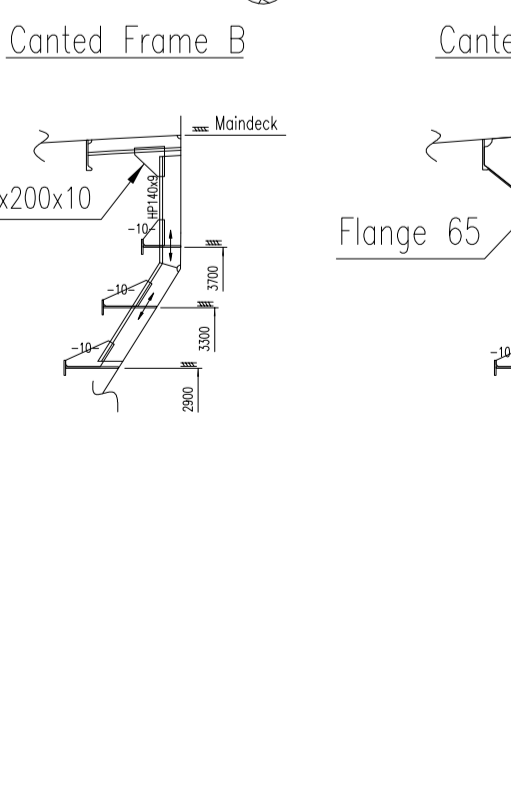
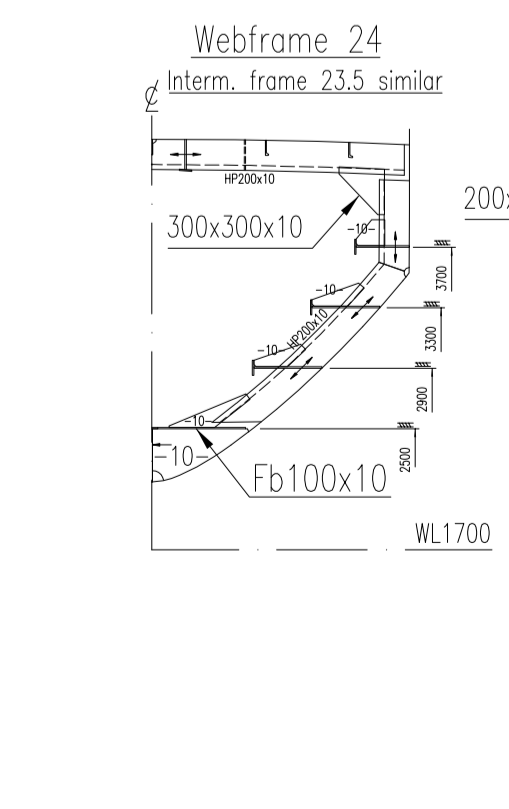
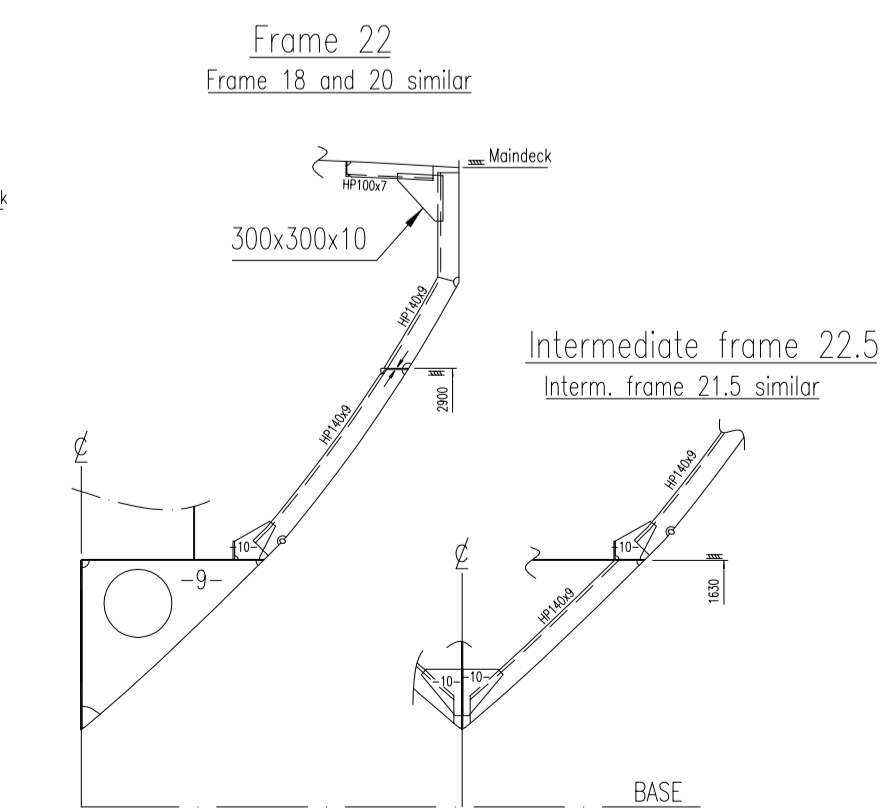
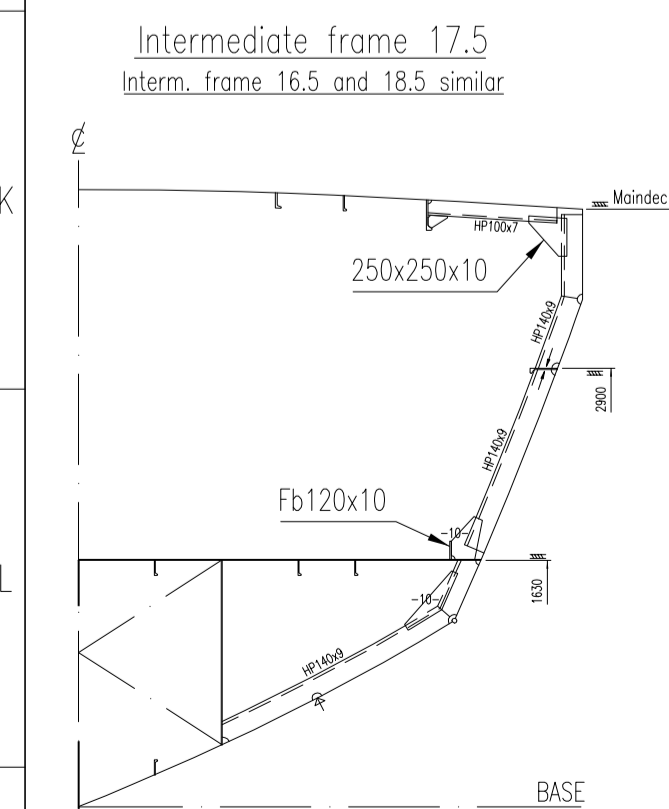
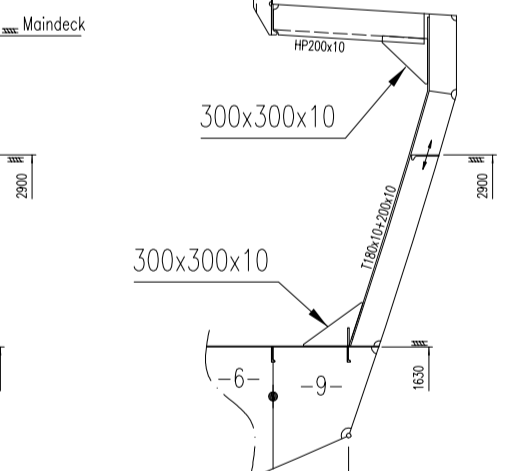
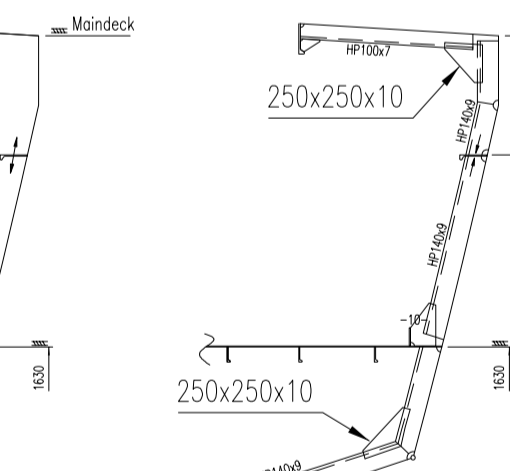
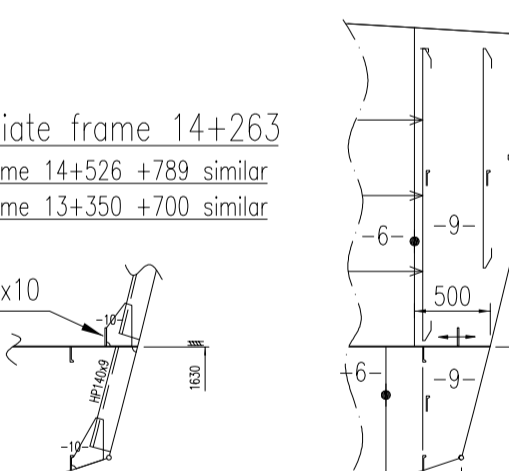
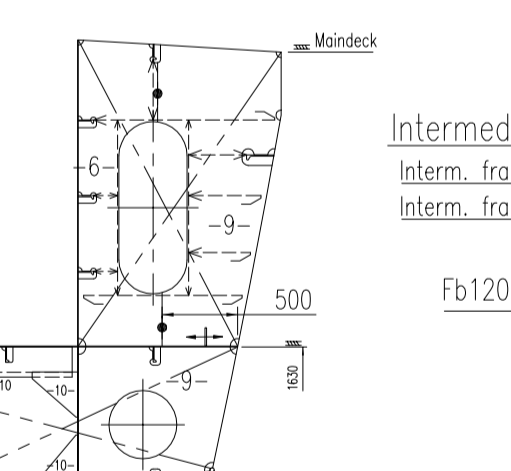
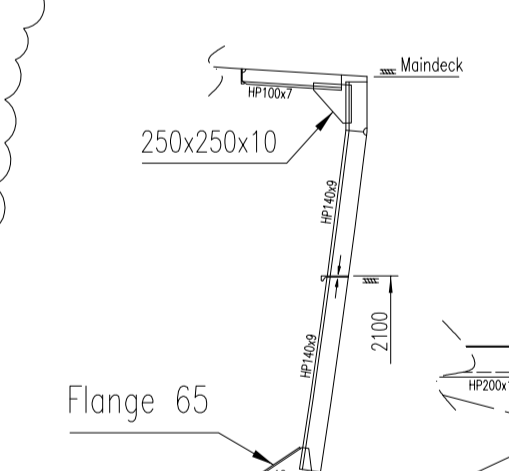
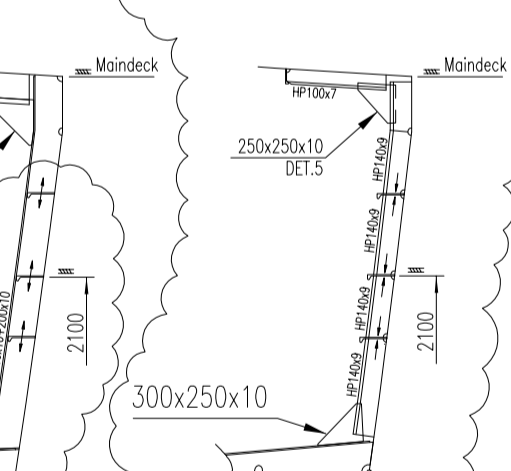
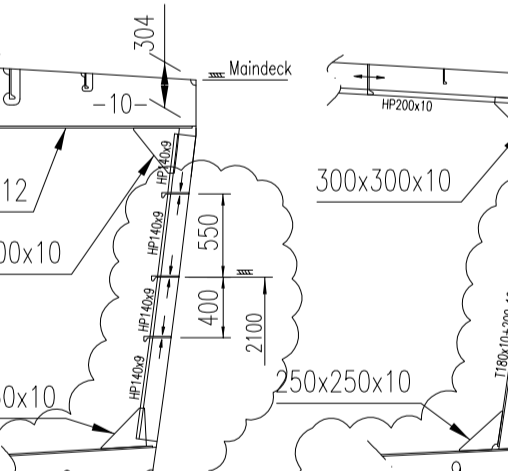
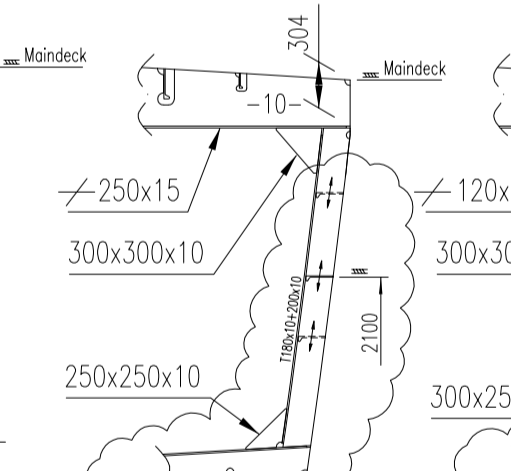
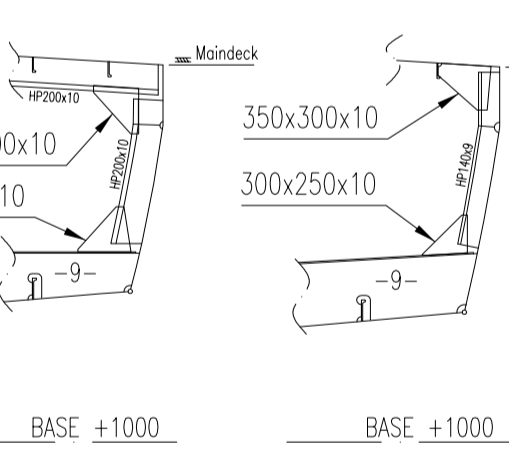
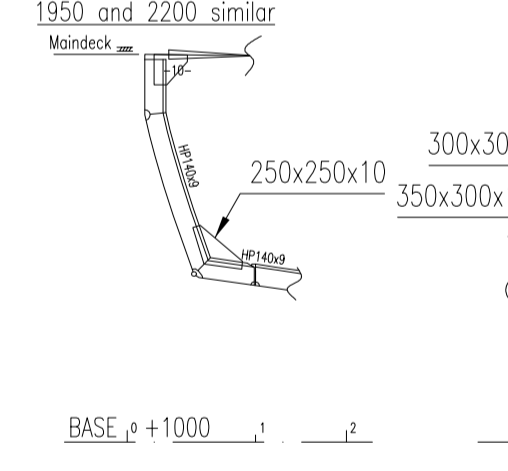
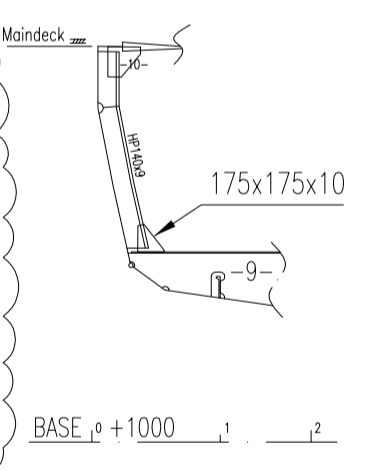
Intermediate frame 10+350
Intern. frame 11+450 similar

Intern. frame 12+383/+766
Intern. frame 4+466 to 9+400 similar

Bulkhead 14

Bulkhead 15
Bulkhead 4, 13 and 23 similar

Webframe 16
Frame 17, 19 and 21 similar



Ice Class 1C

- Aftship region
Thickness 10 mm
- Midship region
Thickness 11 mm
- Foreship region
Thickness 12.5 mm
- Stem plate
Thickness 12.5 mm

A 06-06-2007		N.Hooij P.J.F		Remarks LRS	
REV	DATE	DRWN	CHKD	APPRV	REVISION SUBJECT
LRS				01-06-2007	
COPYRIGHT DAMEN SHIPYARDS GROUP			Industrieterrein Avelingen West 20 P.O. Box 1 4202 MS Gorinchem phone +31 (0)183 63 99 11 info@damen.nl fax +31 (0)183 63 21 89 www.damen.nl The Netherlands		
DRAWN N.Hooijman		FORMAT A1		PROJECTION	
CHECKED P.J.F		SCALE 1:50			
APPROVED		DATE 16-02-2007			
Ice regions and construction plan					
TYPE	Stan Tug 1907		DERIVED FROM DWG		
COMP NO	SECT NO	YARD NO	DWG NO	SHEET	REVISION
		503413	503413-100-060	A	