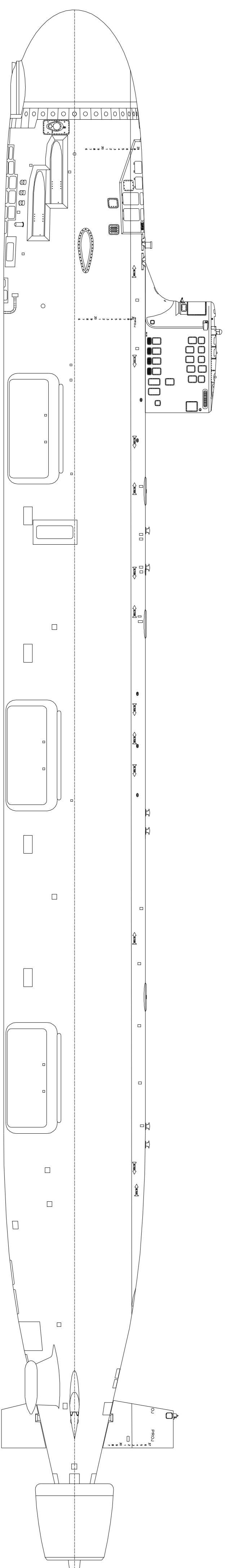
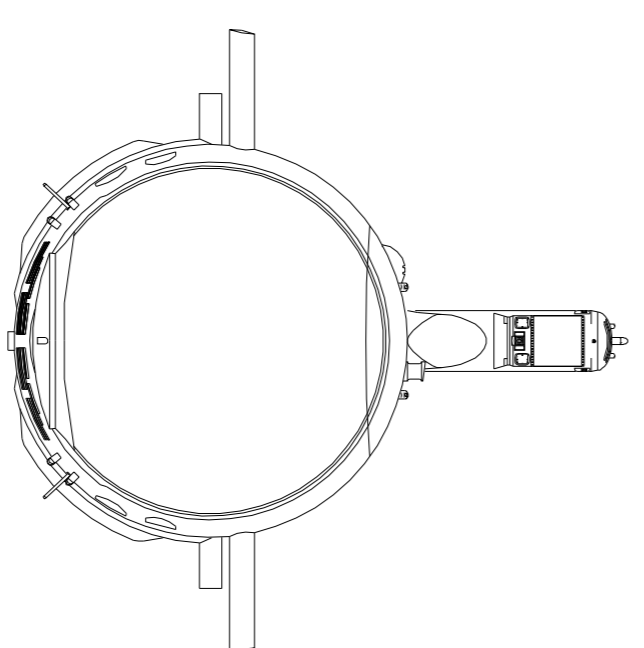
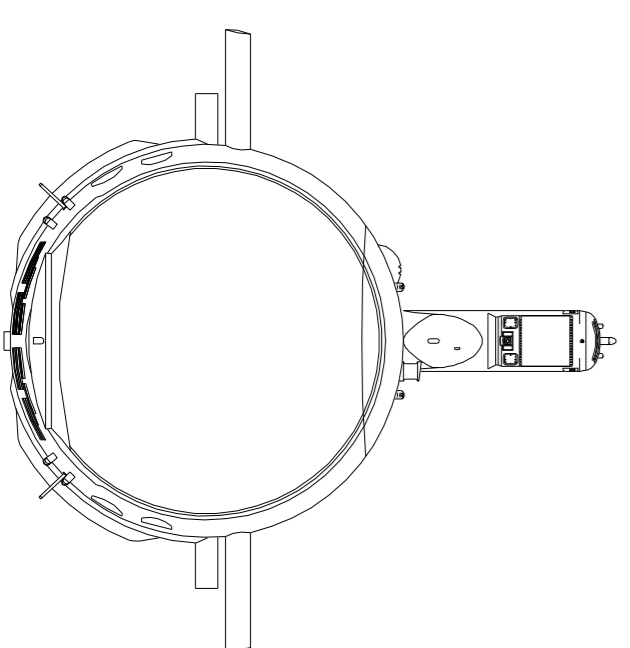


*Substant2010* ©



SSN779 New Mexico

SSN780 Missouri