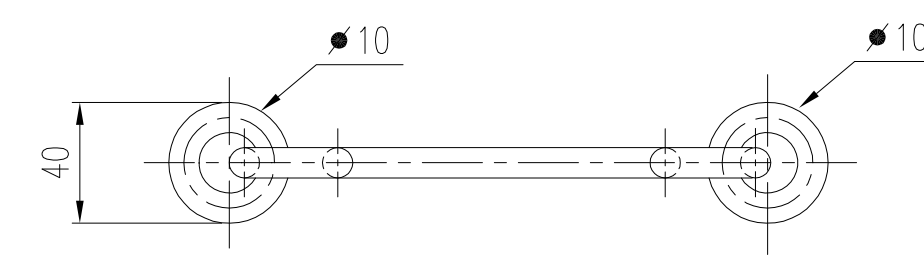
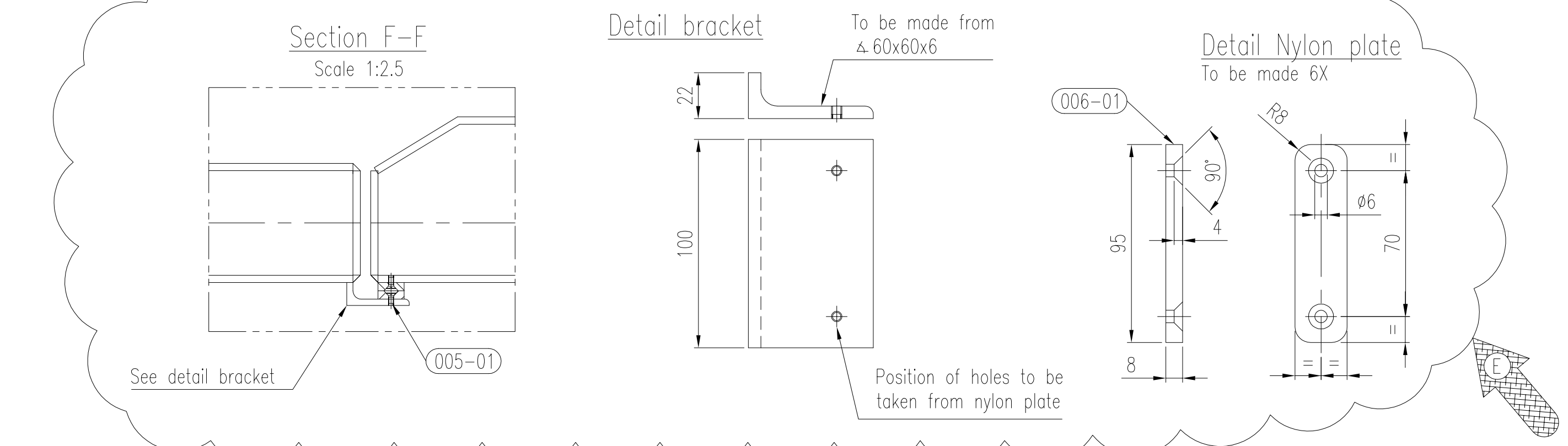
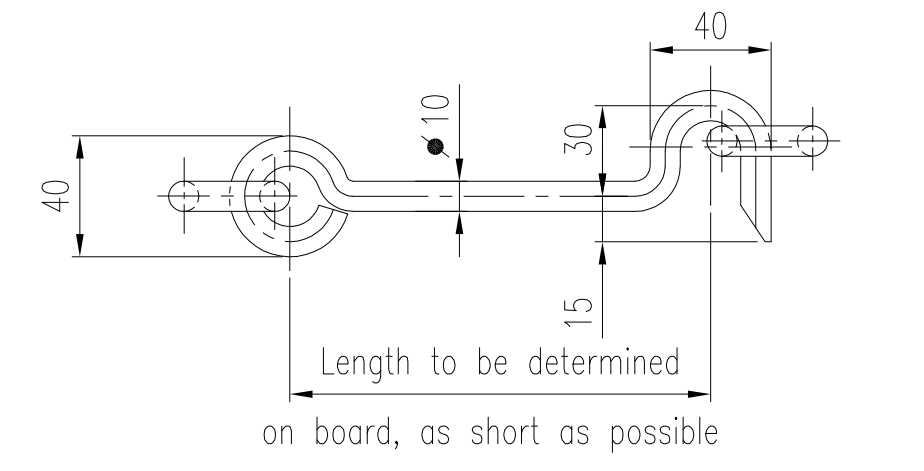


| POS.NO. | QT | CLASS                     | TYPE | MATERIAL              | ART.NO.   | DESCRIPTION   | DRAWING NO. | REMARKS |
|---------|----|---------------------------|------|-----------------------|-----------|---|-------------|---------|
| 006     |    | 6 PLATE                   |      | 95x25, T=8 mm         |           | Cpl. with hole 6 mm.  |             |         |
|         |    | PC                        |      | Nylon                 | 1100038   | Drw.512200-110-502  |             |         |
| 005     |    | 12 SCREW COUNTERS. FLAT   |      | DIN 963-M5x12-A4      | 0311.0070 |   |             |         |
|         |    | PC                        |      | St. St. A4            |           |   |             |         |
| 004     |    | 2 PIN SLOTTED             |      | Steel (Galv.)         | 0753.0011 | 5x 24 spring type, heavy  |             |         |
|         |    | PC                        |      | St. St. A4            |           | for grease, flat, brass, 180 P                                  |             |         |
| 002     |    | 2 NIPPLE                  |      | G1/Binch - NEN 2435   | 1115.0002 |   |             |         |
|         |    | PC                        |      | Brass                 |           |   |             |         |
| 001     |    | 4 HINGE FOR HATCH/WT DOOR |      | M20 for steel constr. | 1221.0003 | stud length 130 mm; with St.St. pin, bolt, 2 nuts & lock washer |             |         |
|         |    | PC                        |      | Steel                 |           |   |             |         |
| UNIT    |    |                           |      |                       |           |   |             |         |

Detail Hook  
scale 1:2.5  
Exact position to be determined on board



Hook and Eye  
Type: Stainless steel 316L  
incl. extra eye for storage



| REV | DATE     | DRWN | CHKD | APPRVD | REVISION SUBJECT                            |
|-----|----------|------|------|--------|---|
| E   | 10-07-09 | PSi  | BK   |        | Nylon plates added, plate thickness changed |
| D   | 21-03-06 | SvdL | BK   |        | New drawn frame / Standard detail latch     |
| C   | 26-10-05 | AviK | BK   |        | Changed height of bulwark.                  |
| B   | 21-01-04 | SvdL | BK   |        | Remarks production                          |
| A   | 18-07-02 | SvdL | MO   |        | Material of hook and eyes                   |

|                                 |        |        |          |            |
|---------------------------------|--------|--------|----------|------------|
| COPYRIGHT DAMEN SHIPYARDS GROUP |        |        |          |            |
| DRAWN                           | L.Blom | FORMAT | A1       | PROJECTION |
| CHECKED                         | RB     | SCALE  | 1:10     |            |
| APPROVED                        |        | DATE   | 05-12-01 |            |

| COMP NO | SECT NO | YARD NO contractor | YARD NO building yard | DERIVED FROM DWG | DWG NO         | SHEET | REVISION |
|---------|---------|--------------------|-----------------------|------------------|----------------|-------|----------|
|         |         | 512200             |                       | Bulwark door     | 512200-110-502 | E     |          |