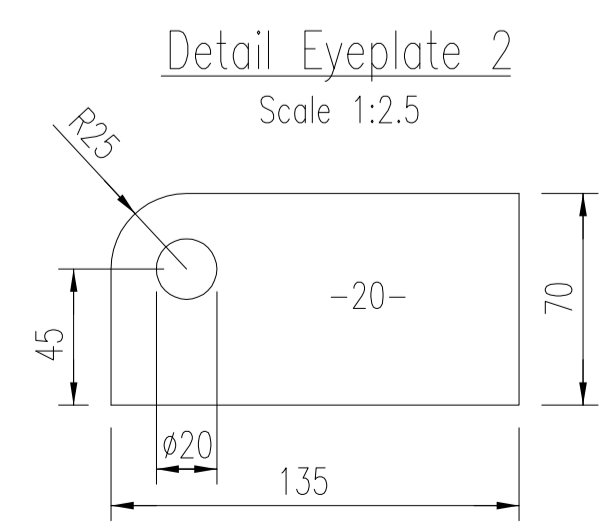
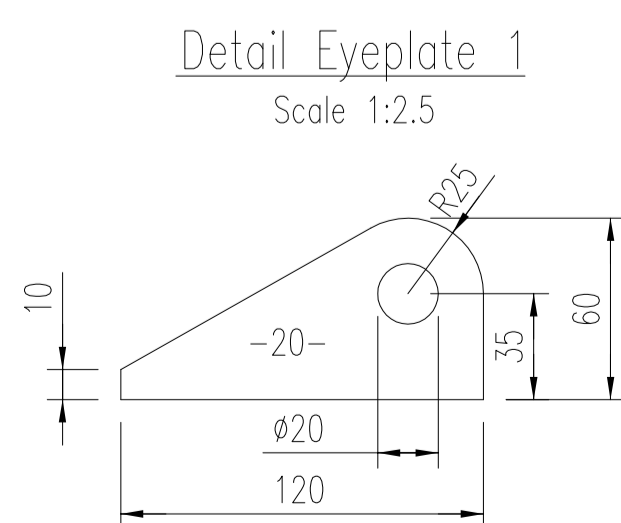
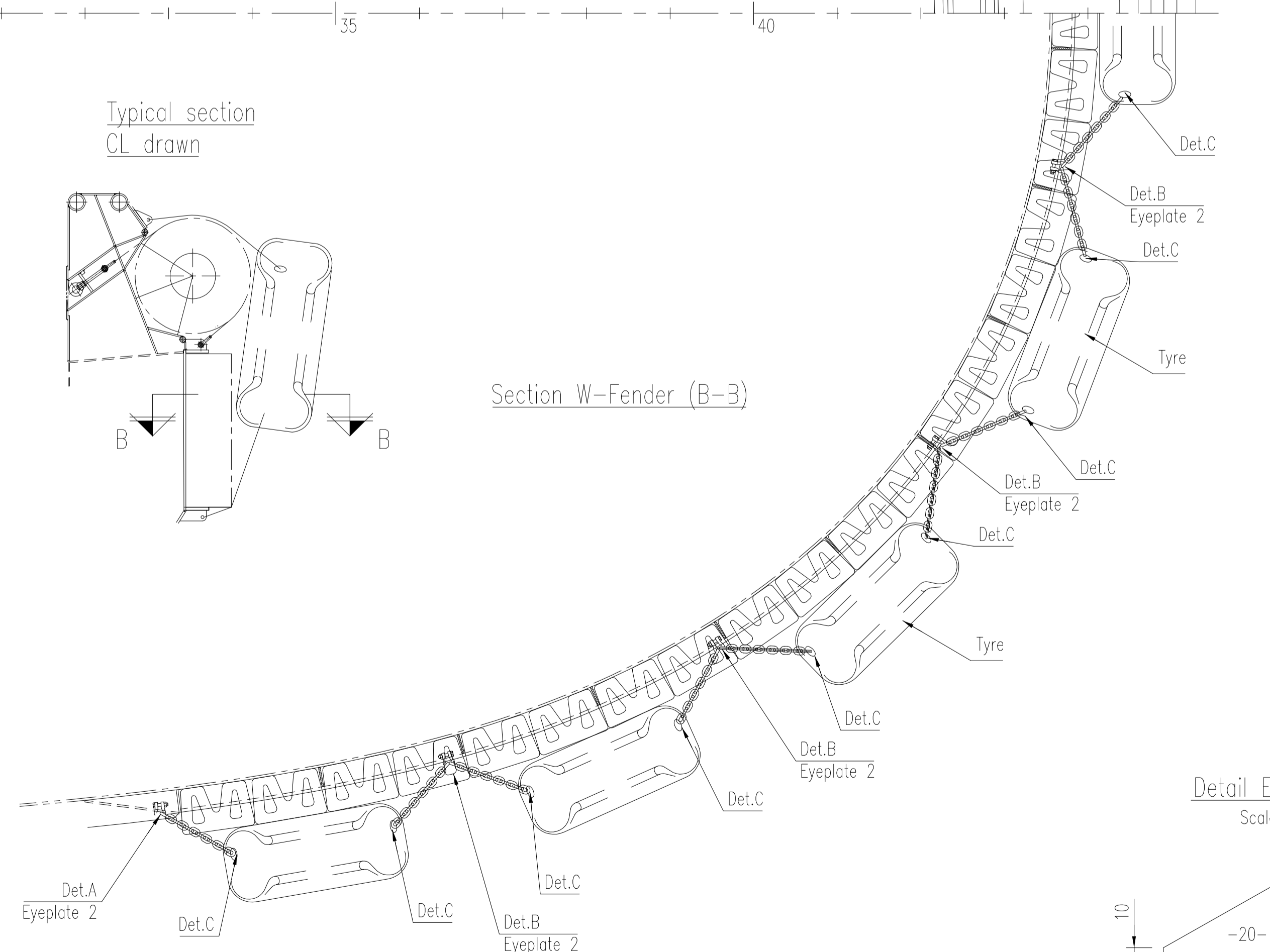
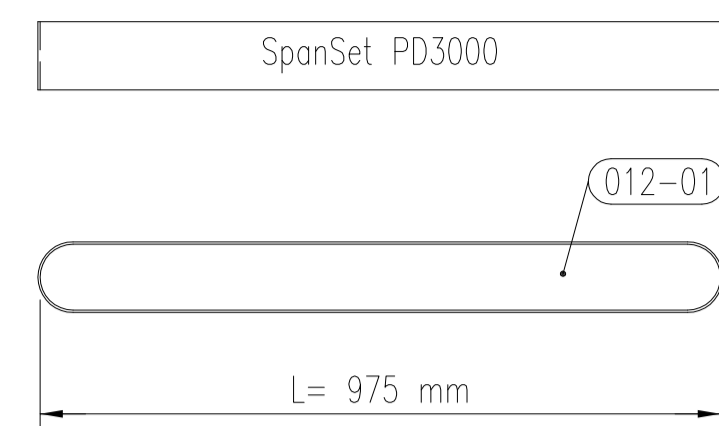


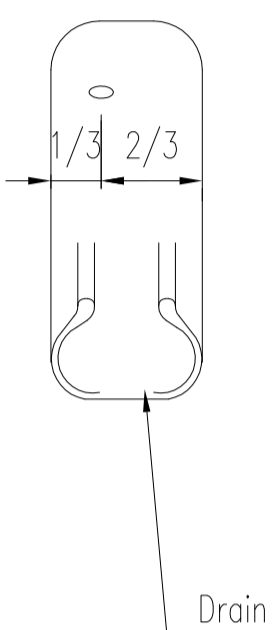
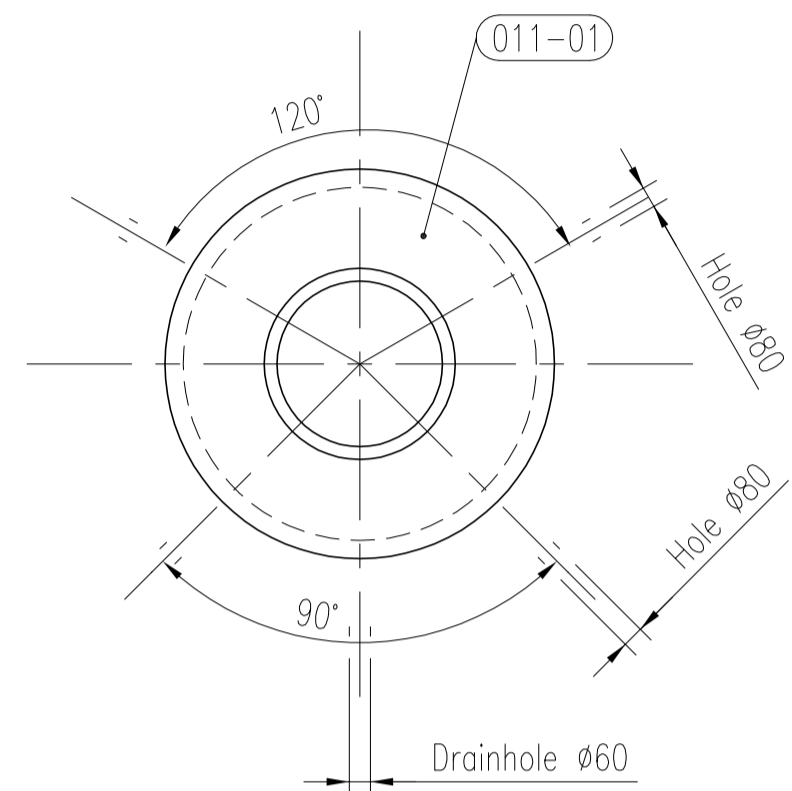
Section W-Fender (B-B)



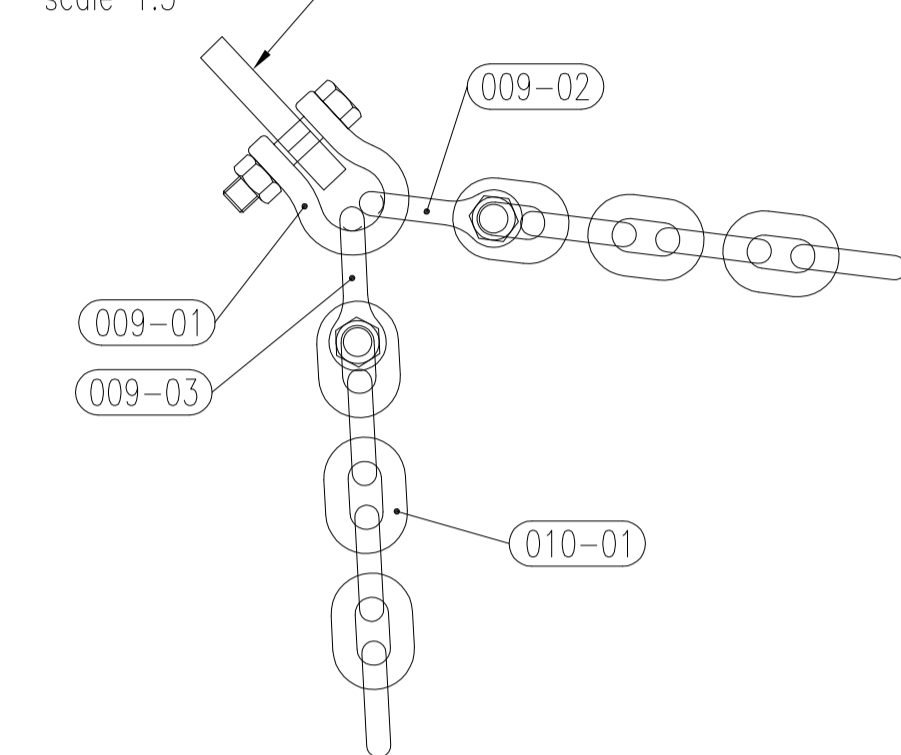
Detail SpanSet powerband
BxT=90x3
scale 1:10



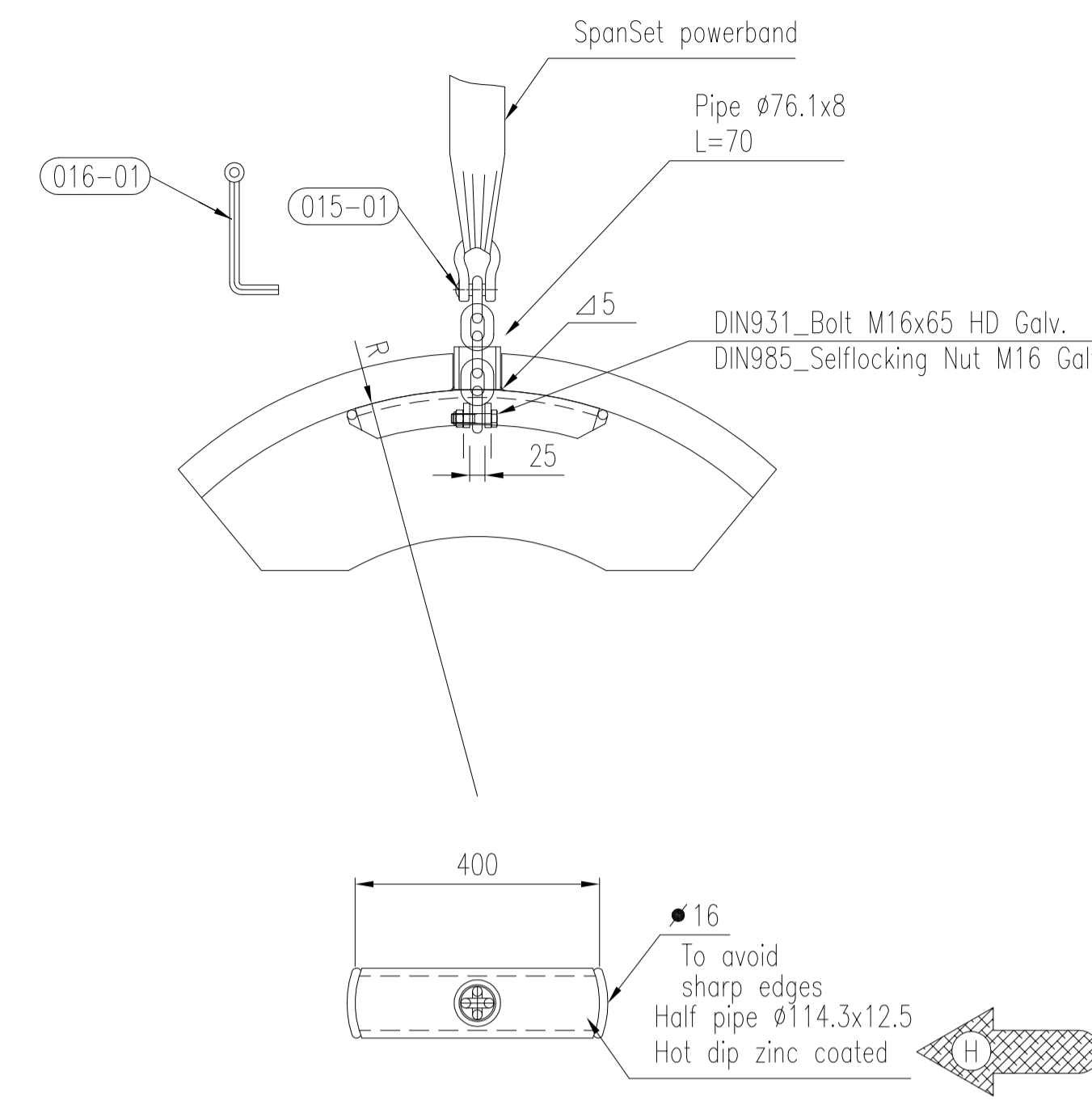
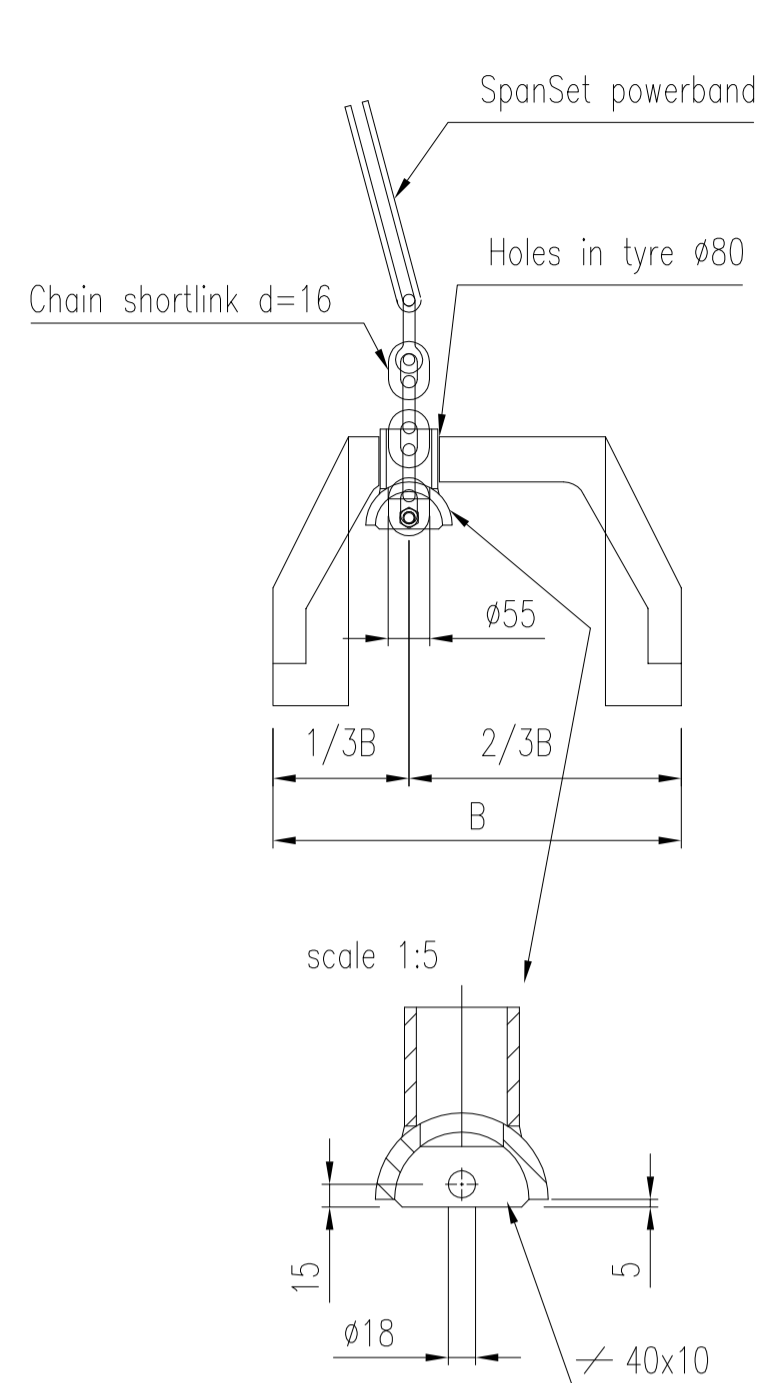
Detail Tyre ∅1250



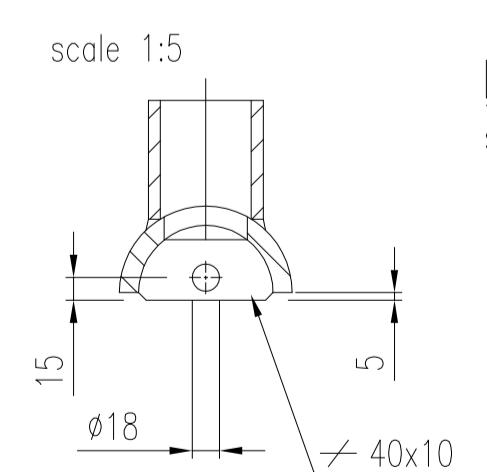
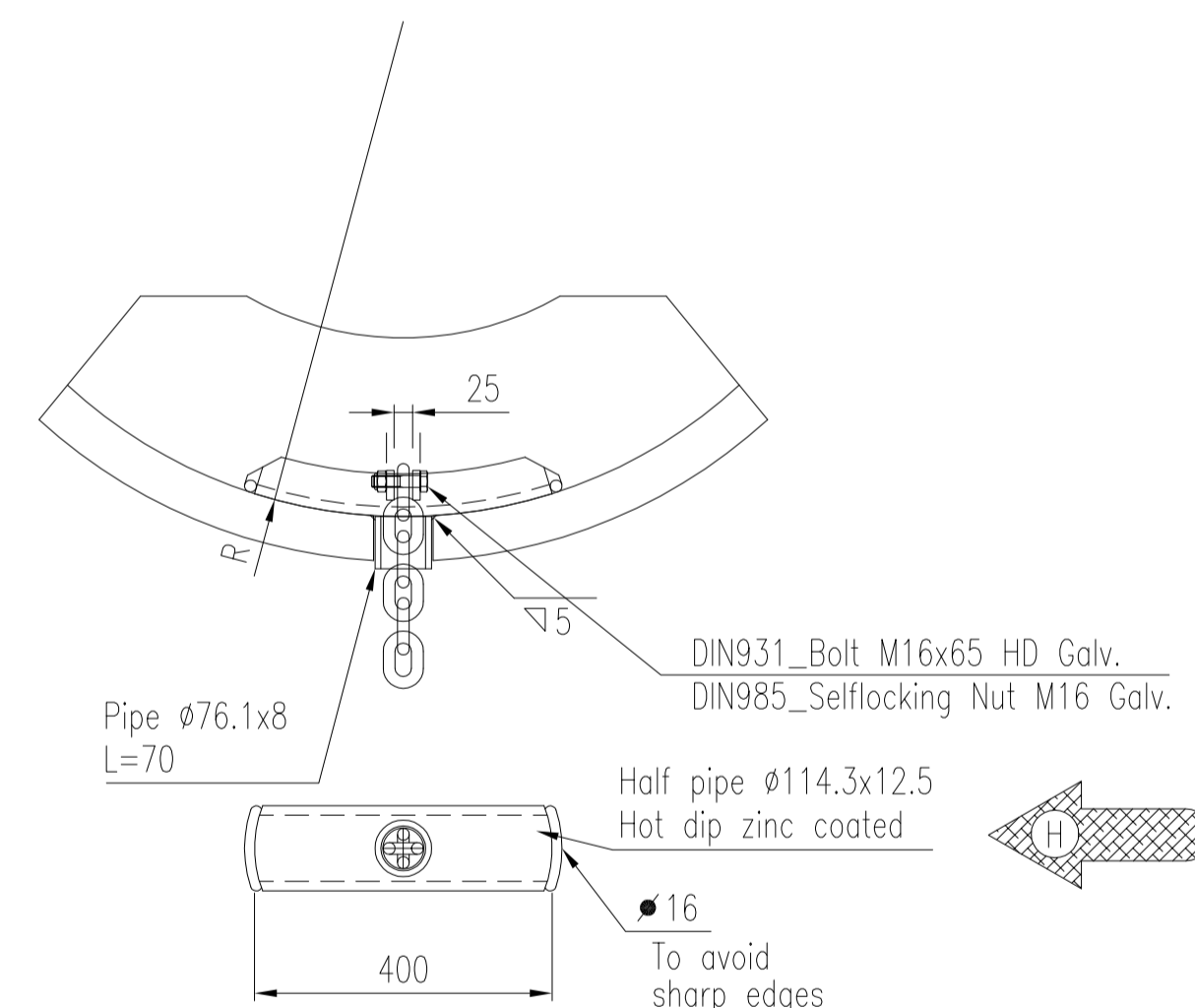
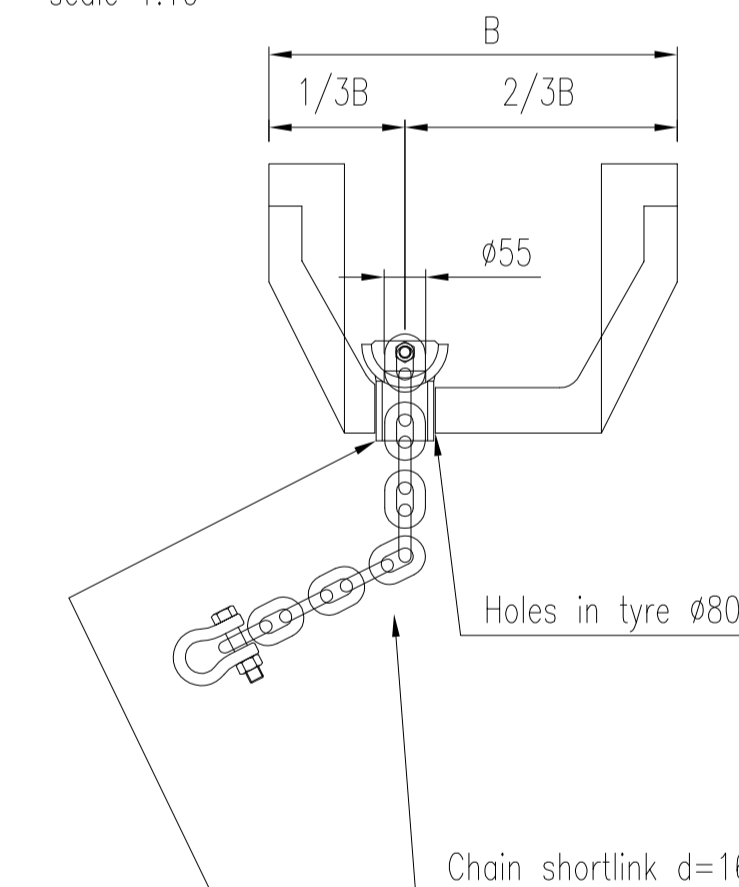
Detail A



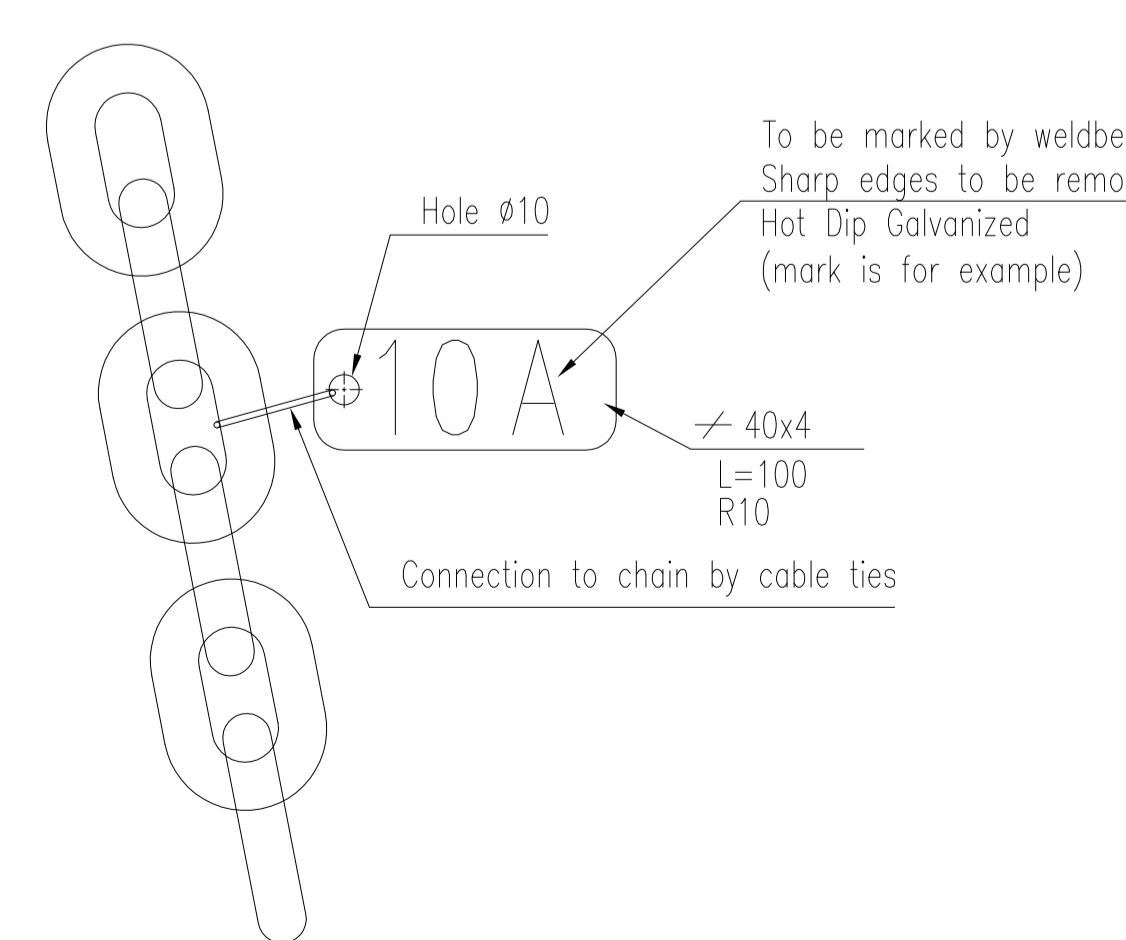
Detail upper fixing part
to be galvanized after construction
scale 1:10



Detail lower fixing part
scale 1:10



Label for chains:
scale 1:2.5



- NOTE:
- Material: Grade A
 - Sharp edges to be removed
 - Position eyeplates perpendicular to bulwark
 - Place eyeplates on transverse stiffeners if possible
 - All welding continuous
 - Tyres and fittings to be removed and clearly marked before delivery voyage

POS.NO.	QT	CLASS	MATERIAL	ART.NO.	DESCRIPTION	DRAWING NO.	REMARKS
1		SHACKLE	Steel	G4170	Key to unscrew the pin		One end Eye other end angled
016		PC	Steel	0257.0028			
28		SHACKLE	Steel (Galv.)	G4169	Bow type, flush bolt		Max load 3.2 t, Width=27, Dbolt=19 Greenpin, safety factor 6x WLL
015		PC	Steel (Galv.)	0257.0028			
18		FENDERING MOUNTING PART	SpanSet Powerband				L= 1000mm (occ. draw. -151-003)
012		PC		1510072	PD3000		
9		FENDERING TYRE WITH HOLES	Rubber	D=1250, d=585, W=500	for fendering, with holes		
011		PC	Rubber	0372.0005			
18		CHAIN	Shortlink 16mm, DIN 766B		galvanized		
010		M	SI 32	0210.0010			
28		SHACKLE	Green pin H-type; nut, bolt				Max load 3.2 t, Width=27, Dbolt=19
009		PC	Steel (Galv.)	0257.0015	Dshackle=16		
MATERIAL	ART.NO.	DESCRIPTION	DRAWING NO.	REMARKS	MAKE		

REV/DATE	DRWN	CHKD	APPRD	REVISION	SUBJECT
H 18-04-08	BK	BK		Updated	
G 8-10-07	BK	BK		Art no for flush shackle updated	
F 17-09-2007	Broeren	BK		Remark added	
E 20-02-06	SvdL	BK		Spanset on top / Upper fixing part on top / New drawn frame	
D 27-10-04	BK	BK		Shackle for upper fixing modified	
C 23-07-04	SvdL	BK		Part 004 removed / part 006 added	
B 18-05-2004	PJ	Fase	BK	Chains all topside replaced for rings and diameter tyres 1250	

DRAWN	MO	SCALE	A1-1	PROJECTION
B Kousters		1:25		
APPROVED	DATE	DATE	DATE	DATE
		17-09-02		

Arrangement tyre fender eyes
at the bow

COMP NO	TYPE	ASD Tug 2411	DERIVED FROM DWG
	SECT NO	512200	DWG NO
	YARD NO	512200-151-003	SHEET
	building yard		REVISION
			H