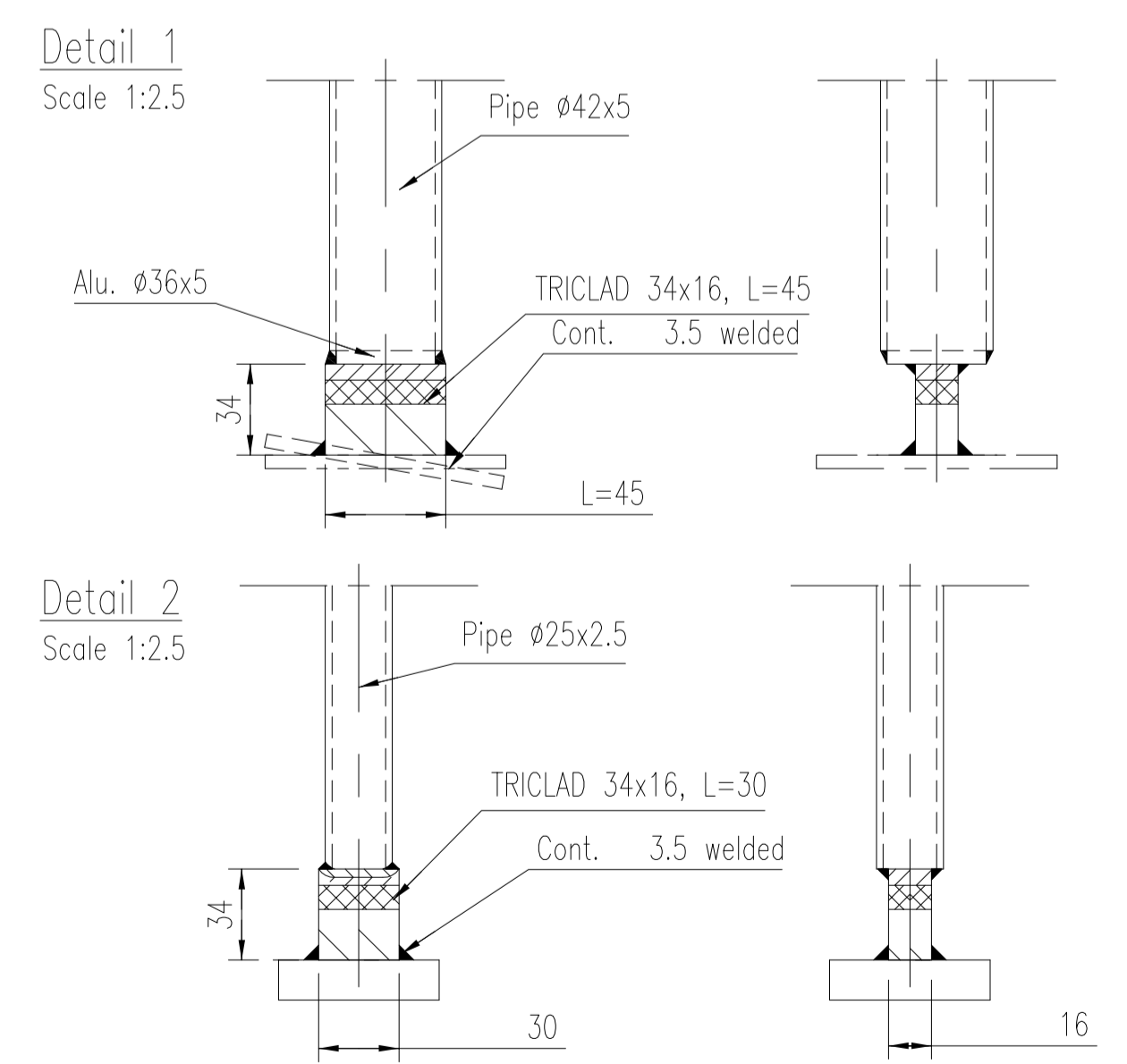


**SSB & Inmarsat PENDING**



ITEM NO.	DESCRIPTION	QUANTITY	UNIT	MATERIAL	ART. NO.	REMARKS
022	FOUNDATION COMPASS	H=330	PC	St. St. AISI 316L	0078.0018	For REFLECTA/1/Fiberline for CAM course system
021	COMPASS	Reflecta 1 Fiber. binacle 180	PC	0133.0017		Type11, B+C+D, heeling corr, azimuth dev illum. + emerg.illum.+ Flindersbar set
020	SEARCHLIGHT	EFA 463 HGS 230V-1000W	PC	8200.0020		50/60Hz, Eldriven 24V, NO Contr.panel Without control panel (joystick)
019	HORN WITH CONTROL	Ibuki E 150	PC	0132.0005		1300b/24V/400W, magnetic horn, 310 Hz, Brass oscillator
018	FLOODLIGHT	1x150W, 24V	PC	0095.0004		with 1076 060, IP 67
016	HINGE FOR HATCH/WT DOOR	M16 for steel constr.	PC	1221.0002		Dim.lamp housing WxH= 244x190, D=135 stud length 120 mm; with SL-St.pia.ball,2nuts&lock washer
015	TOGGLE	St. St. AISI 316	PC	1225.0011		SL-St.toggle with SL-St.fication bracket
014	FLAT SECTION	[GI] [M] W=16, T=34 - SL/Al.	M	0345.0104		Triplate Aluminium Connection 16x34 Triplate
013	COMPASS	NEMA course	PC	0133.0021		Magn. heading repeater for C&P compass
012	COMPASS	Electrical	PC	0133.0020		magnetic compass converter
011	FLOODLIGHT	1x500W max.	PC	0095.0002		welding 1076 001
010	PIPE, SOCKET	St. St. AISI 316L	PC	1180.0040		WELDING SOCKET, D=26.5 L=34
005	CABLE CONNECTION BOX	For mast	PC	0225.0004		dim. 278x278x162, with cablepassage RGS 6 from MCT
003	AIR DUCT	Pipe 6 inch	PC	1014.0009		with closable lid, Dpipe=177.8
POS.NO	CLASS	TYPE	DESCRIPTION	DRAWING NO.	REMARKS	
UNIT	MATERIAL	ART. NO.	DESCRIPTION	MAKE		

Note:  
 - All welding  $\Delta 3$  continuous unless stated otherwise.  
 - Stanchions to be placed on deckbeams, brackets etc.  
 - Ladders, steps and all steel railing to be completely hot dip zinc coated after construction.  
 IN PIPES, HOLES TO BE PROVIDED FOR GALVANIZING

REV. DATE	DRWN	CHKD	APPRVD	REVISION SUBJECT
- 25-05-11	L.Blom	LBI		Updated for yard no 512250

DRAWN	CHECKED	APPROVED	FORMAT	SCALE	DATE	PROJECTION
B Kouters	MO		A1:1	1:25	16-12-02	

Arrangement topdeck

COMP NO	SECT NO	YARD NO	CONTRACTOR	DERIVED FROM DWG	DWG NO	SHEET	REVISION
				ASD Tug 2411	512250		
				512250-500-052	512250-500-052		