

COCKPIT SIDES (2)
3/32" MAHOGANY

COCKPIT BACK (2)
3/32" MAHOGANY

WINDSCREEN (2)
3/32" MAHOGANY

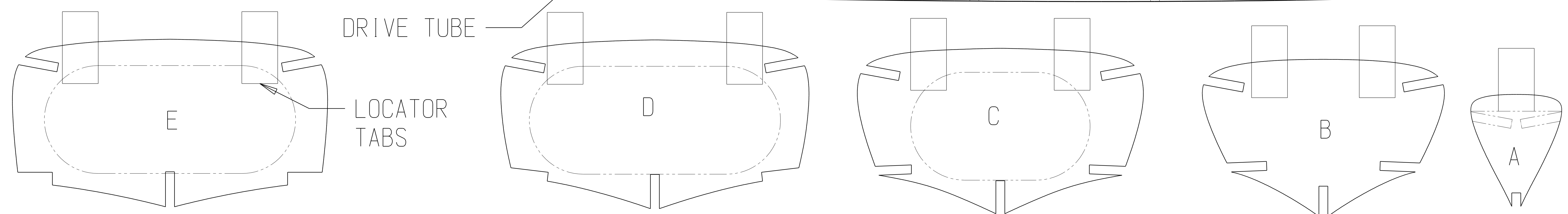
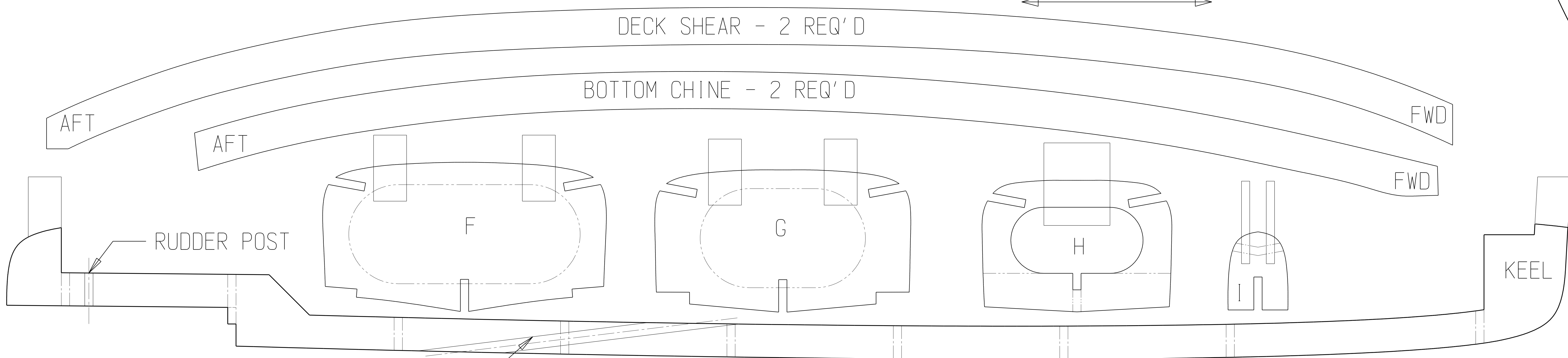
BACKREST (1)
3/32" MAHOGANY

UNLESS OTHERWISE NOTED:
ALL MATERIAL 3/16" Balsa
GRAIN DIRECTION:



DECK SHEAR - 2 REQ'D

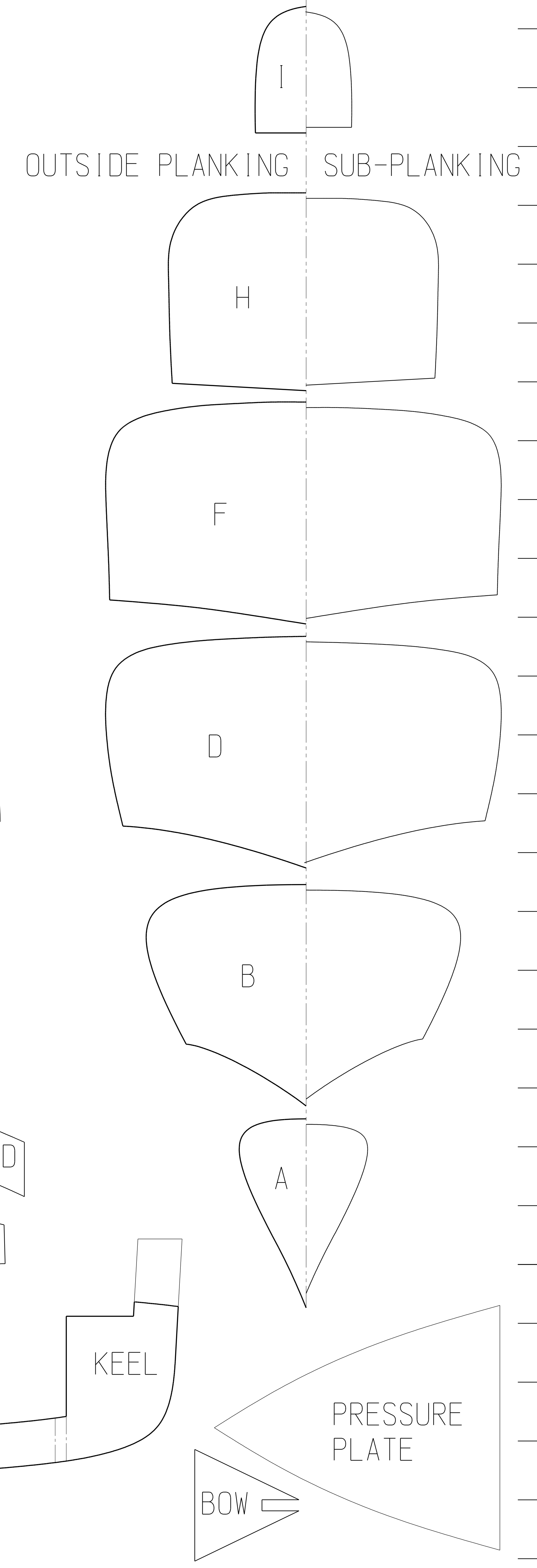
BOTTOM CHINE - 2 REQ'D



DRIVE TUBE

LOCATOR TABS

SANDING TEMPLATES



1/10th SEMI-SCALE
G5 - BABY BOOTLEGGER
1924 - 25 GOLD CUP & HARMSWORTH WINNER
08/18/02 by: Garry Finlay SHEET 2 of 2