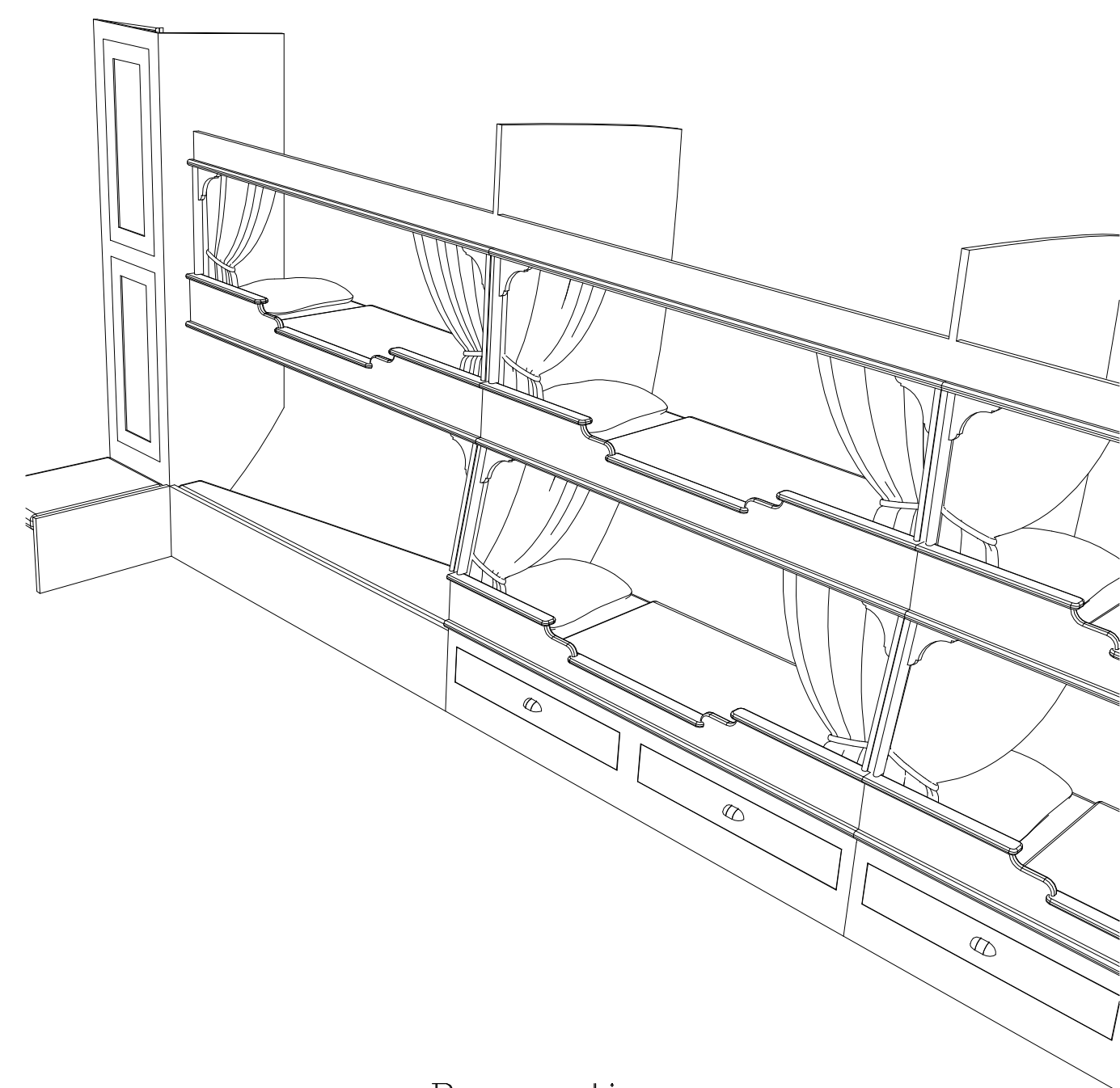
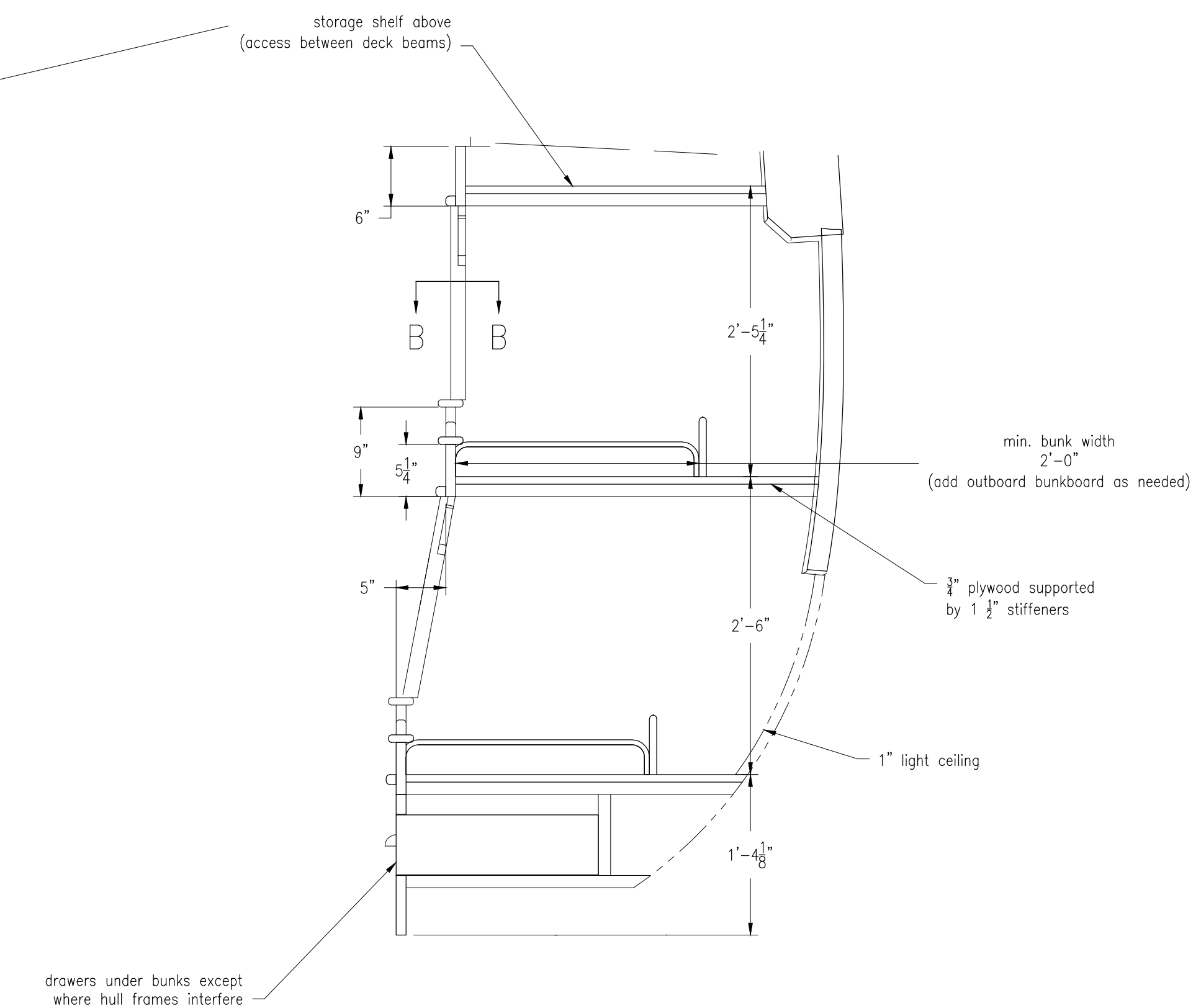
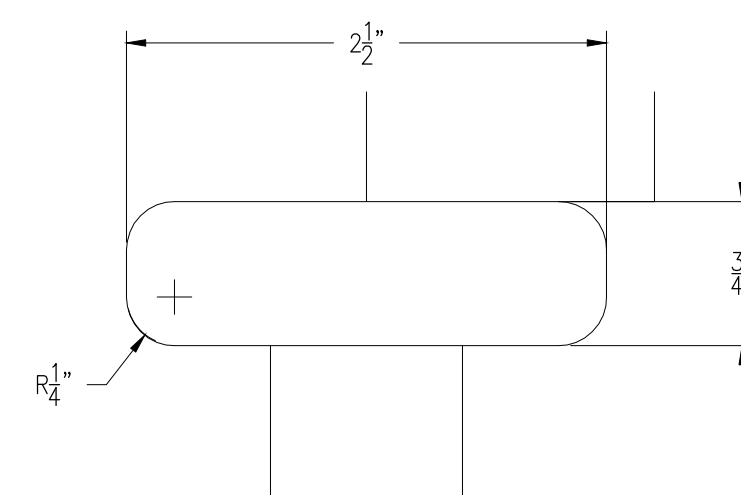


Typ. Accommodation Bunk  
(detail of stbd berths fwd)

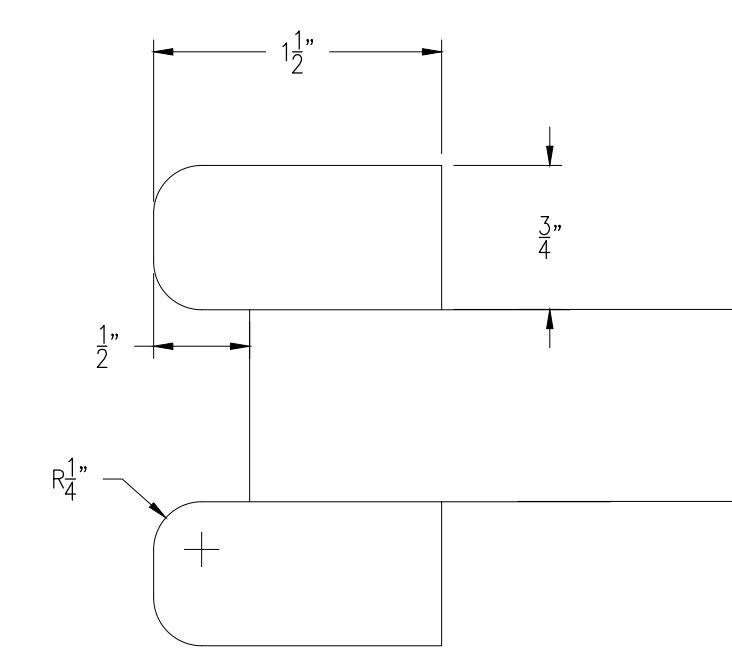
settee in place of fwd  
most stbd bunk




Perspective  
(no scale)



A-A  
Typ. Cap Detail  
(full scale)



B-B  
Typ. Divider Trim Detail  
(full scale)

 <b>TRI-COASTAL MARINE</b>	
SCALE: 1/2" = 1'	DRAWN BY: MAB
DATE: January 2, 2013	CHECKED BY: AD
TITLE:	
<b>M. Turner Brigantine</b> <b>Typ. Accommodation Bunk</b>	
PLAN: 514110	REV: