

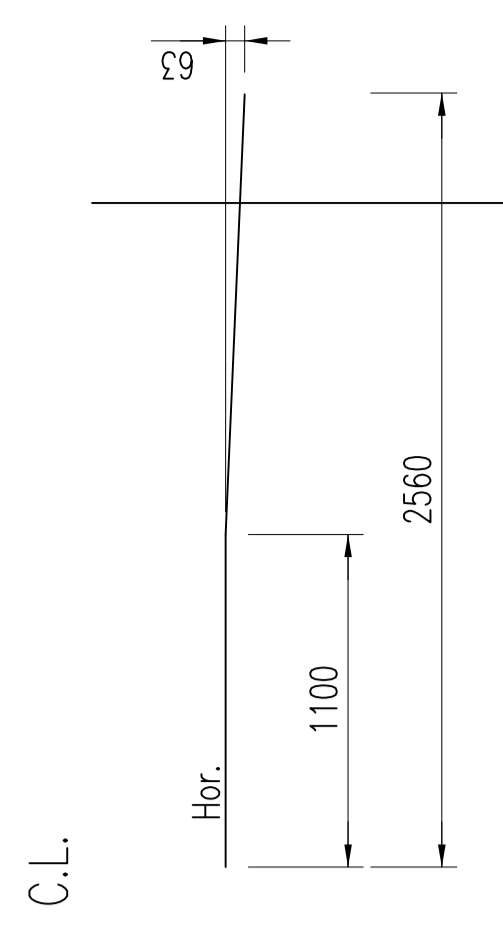
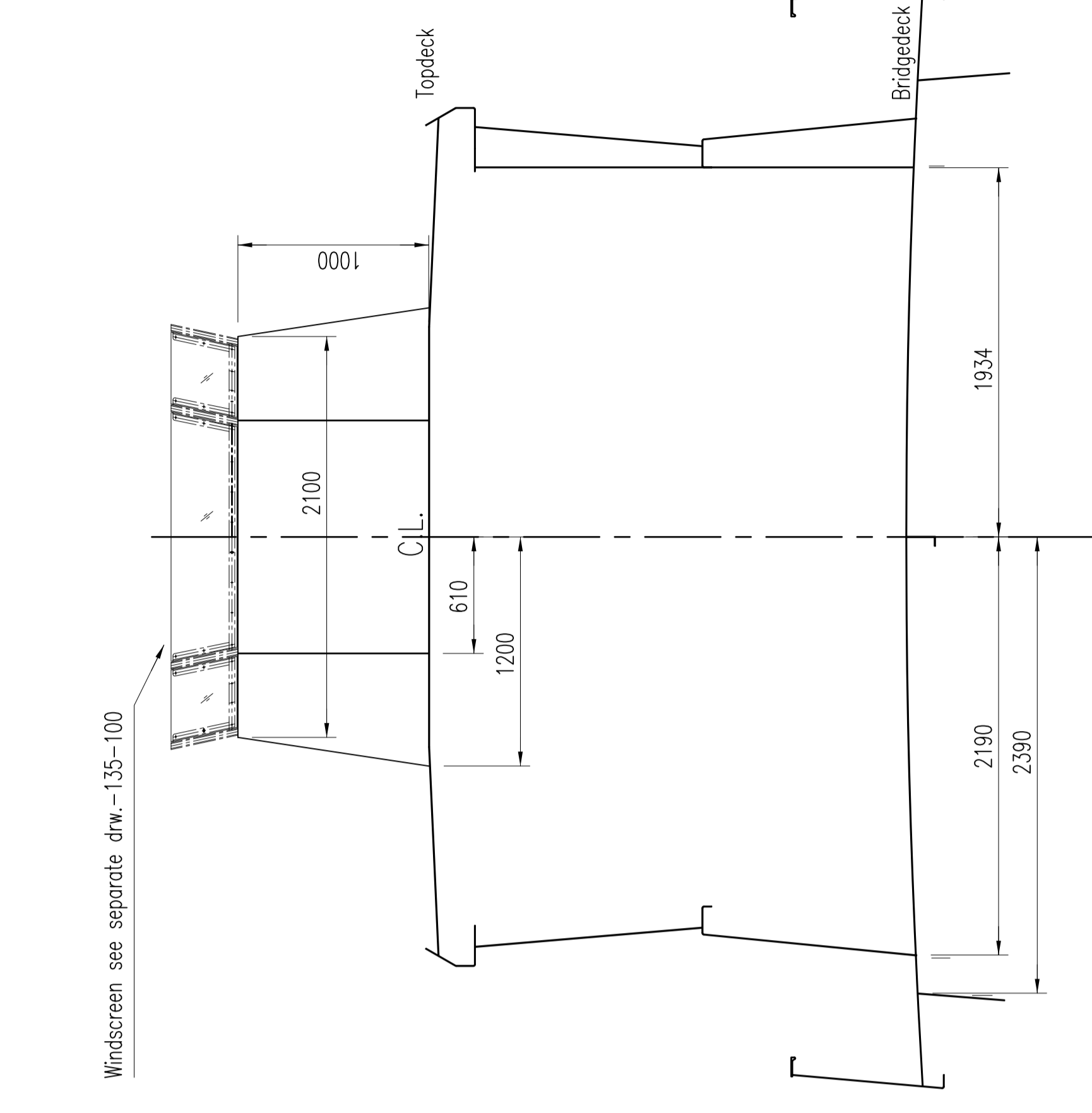
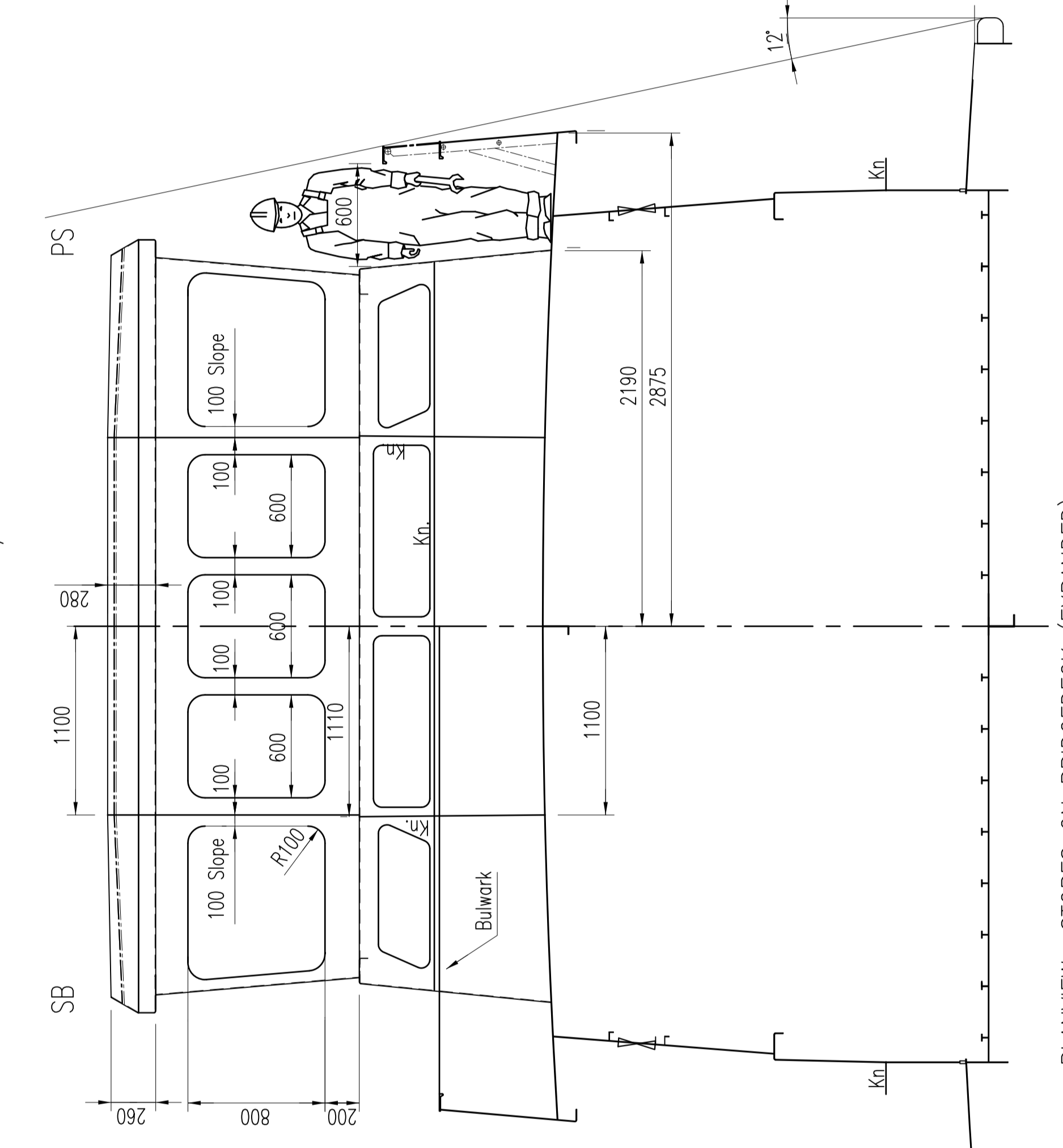
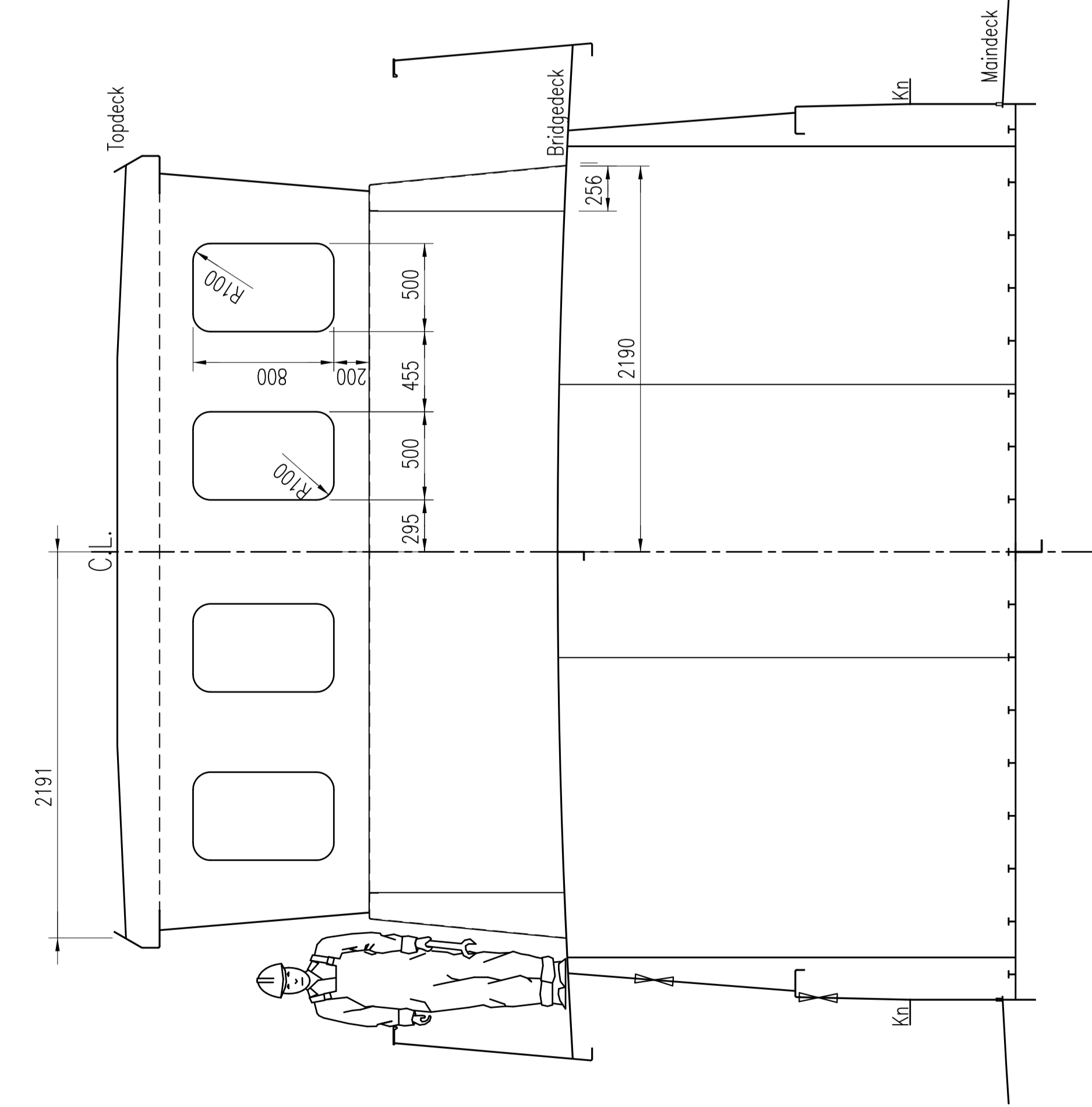
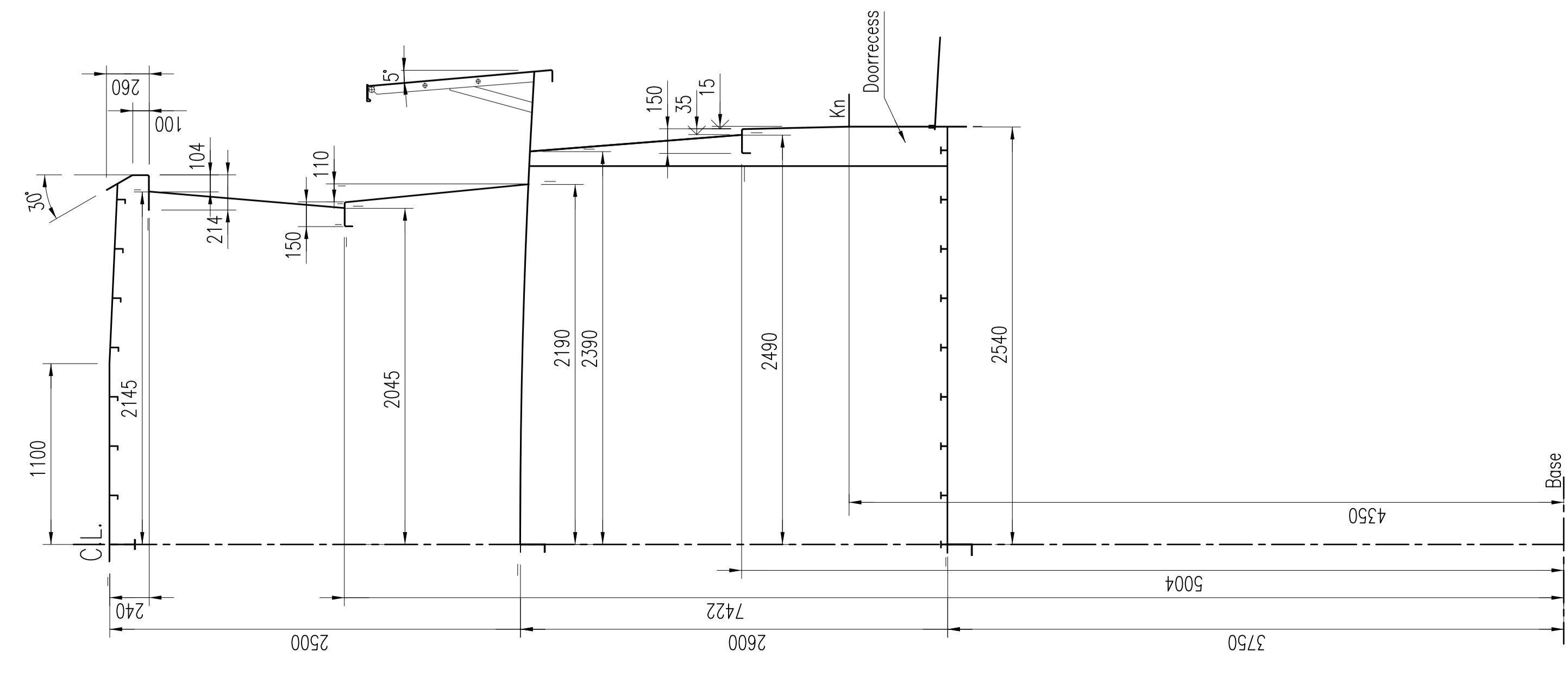
SECTION FR.16/17

SECTION FR.15  
SEE ALSO SECTION FR. 15/17

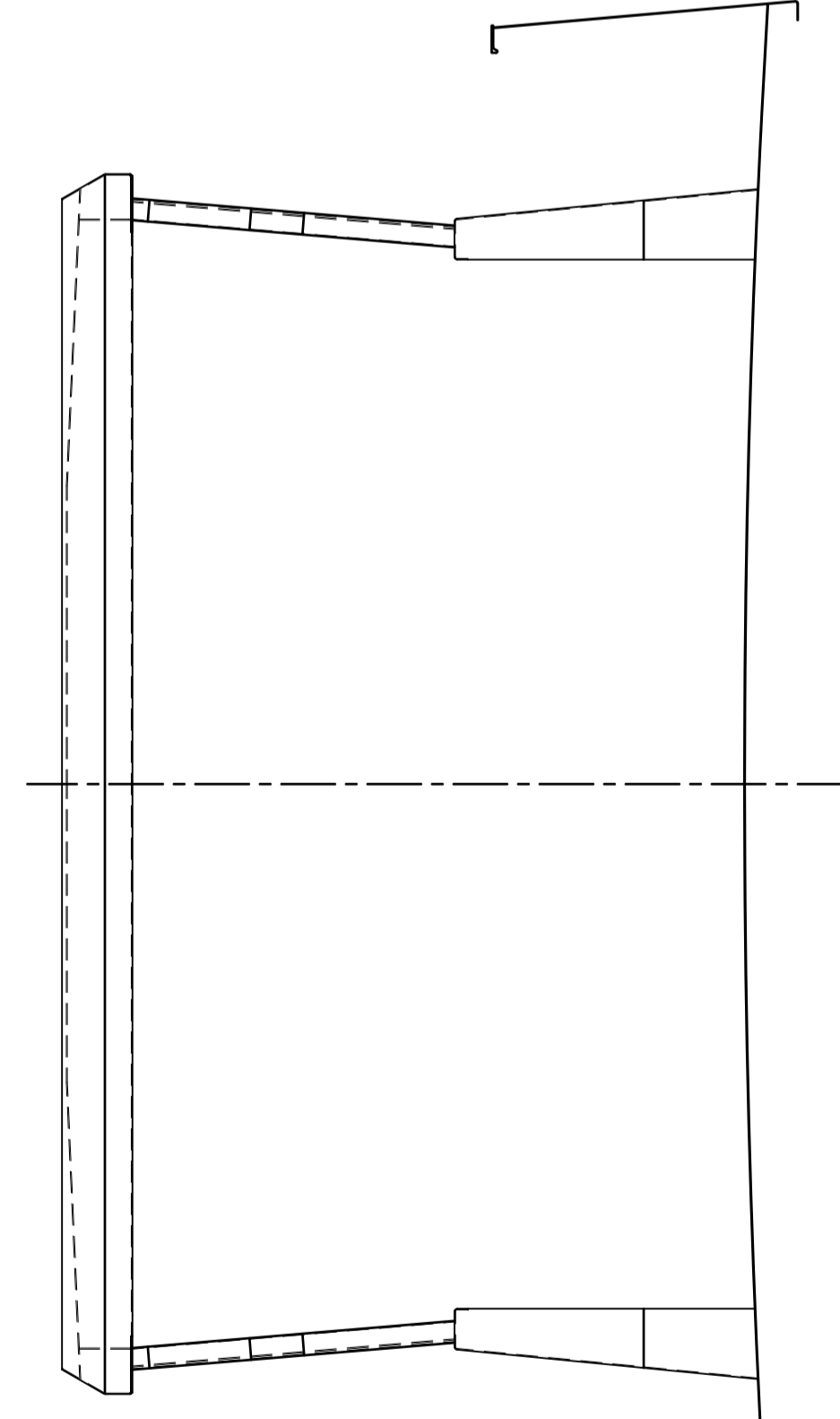
SECTION FR. 22/23  
LOOKING AFT  
SEE ALSO SECTION FR. 15/17

SECTION ± 300MM AFT FR. 18  
SEE ALSO SECTION FR. 15/17

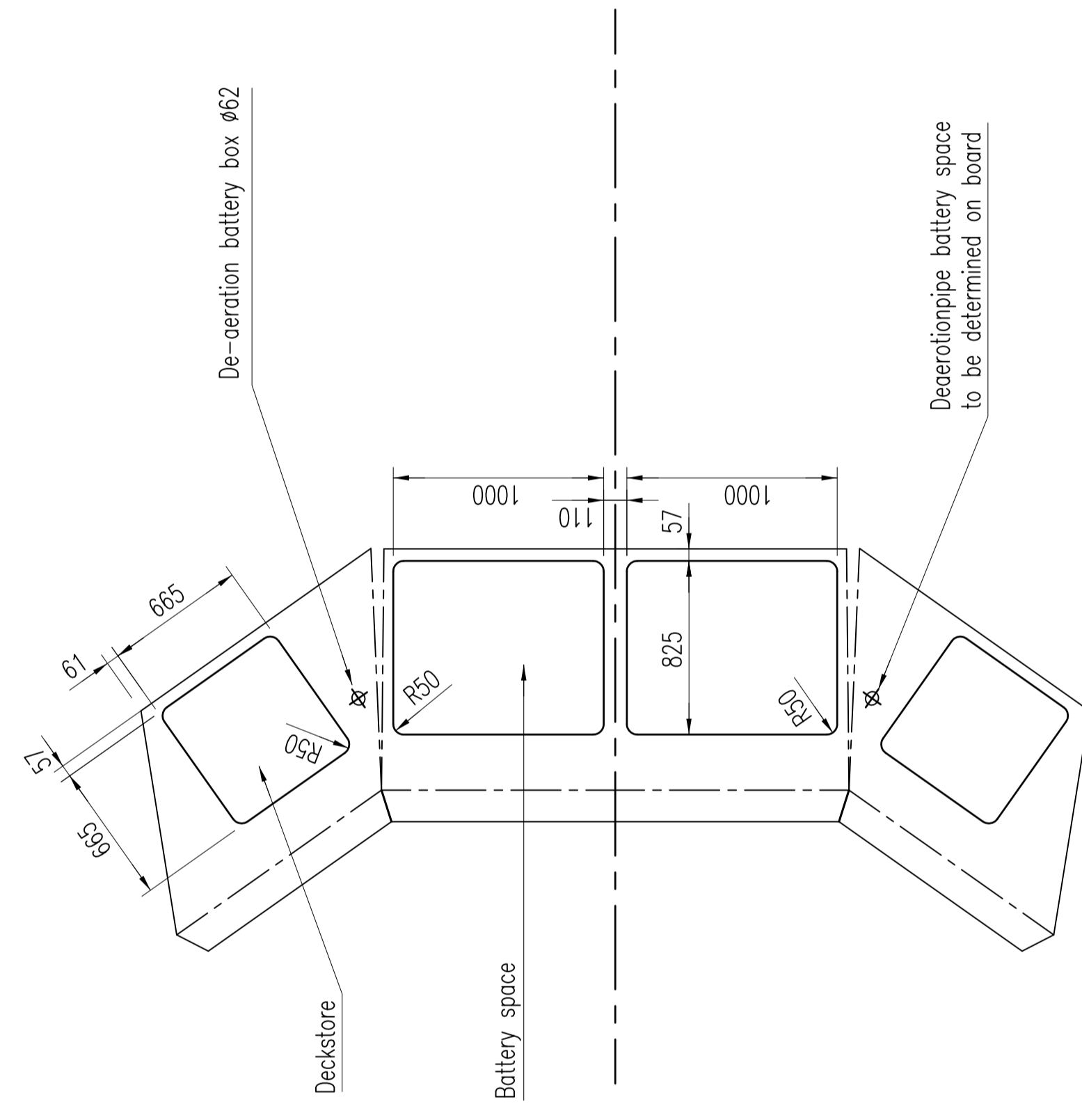
CAMBER TOPDECK



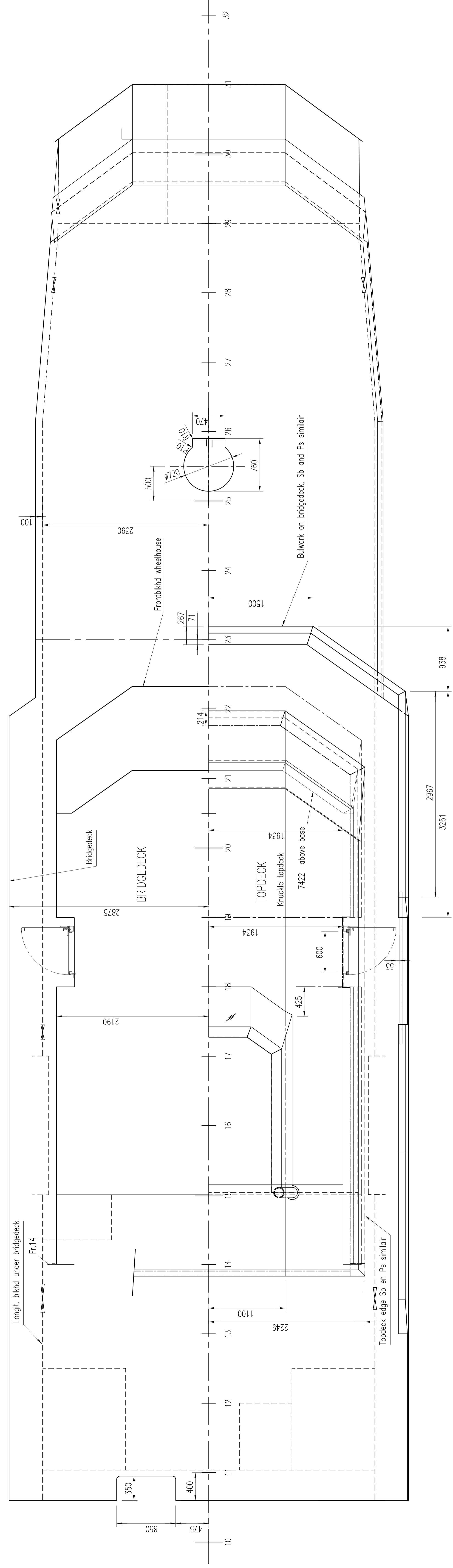
SECTION FR.14



PLANVIEW STORES ON BRIDGEDECK (EXPANDED)



PLANVIEW BRIDGEDECK/TOPDECK



NOTE: For dimensions window openings see window templates draw - 135-002. All dimensions are stated in a horizontal or vertical plane unless otherwise stated.