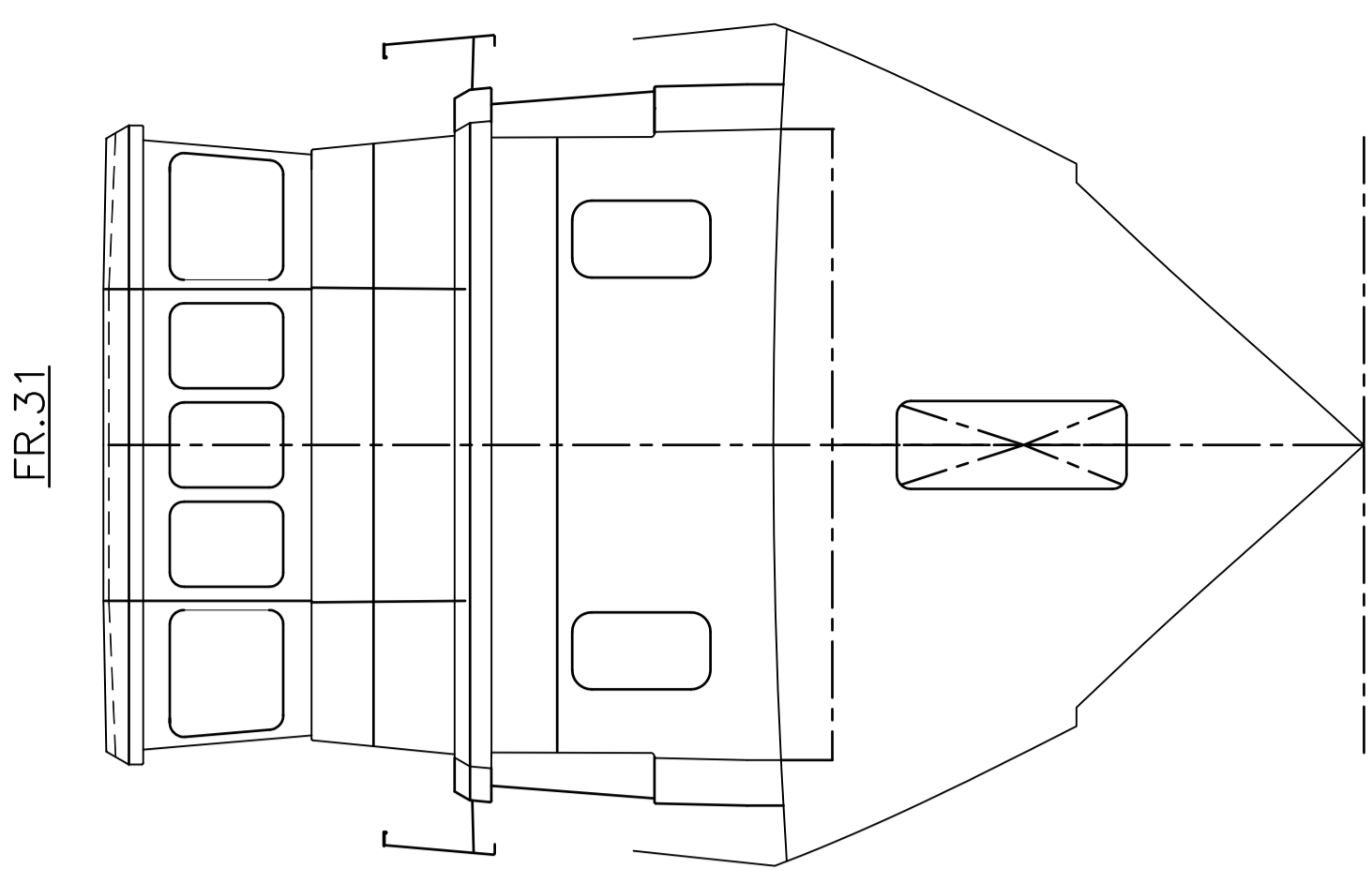
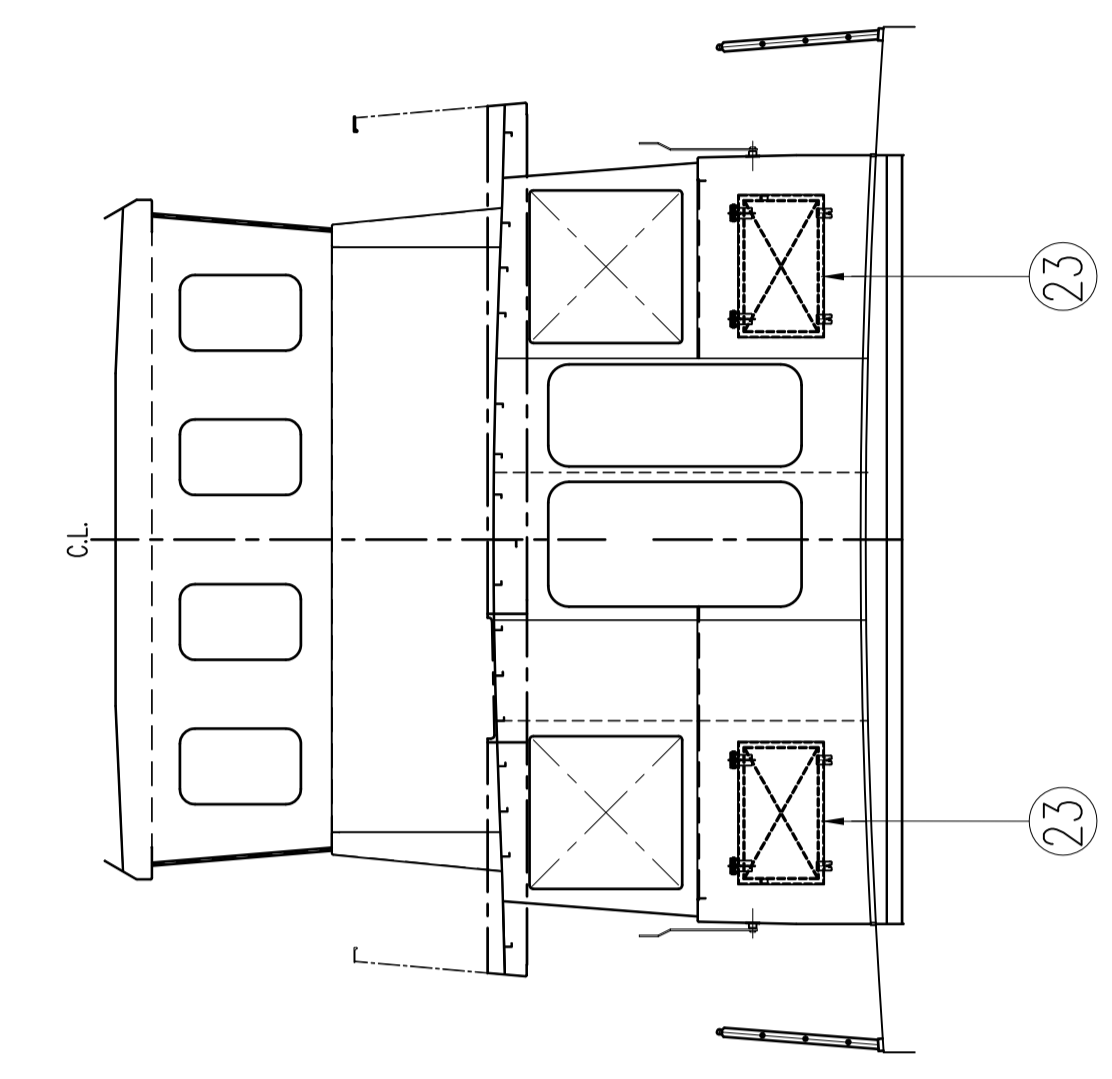
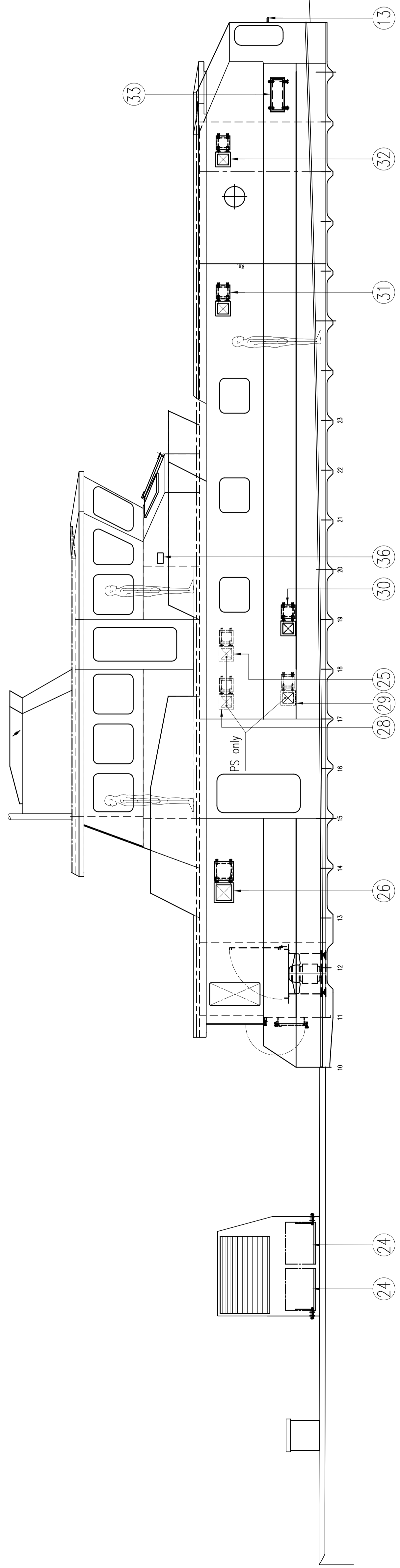
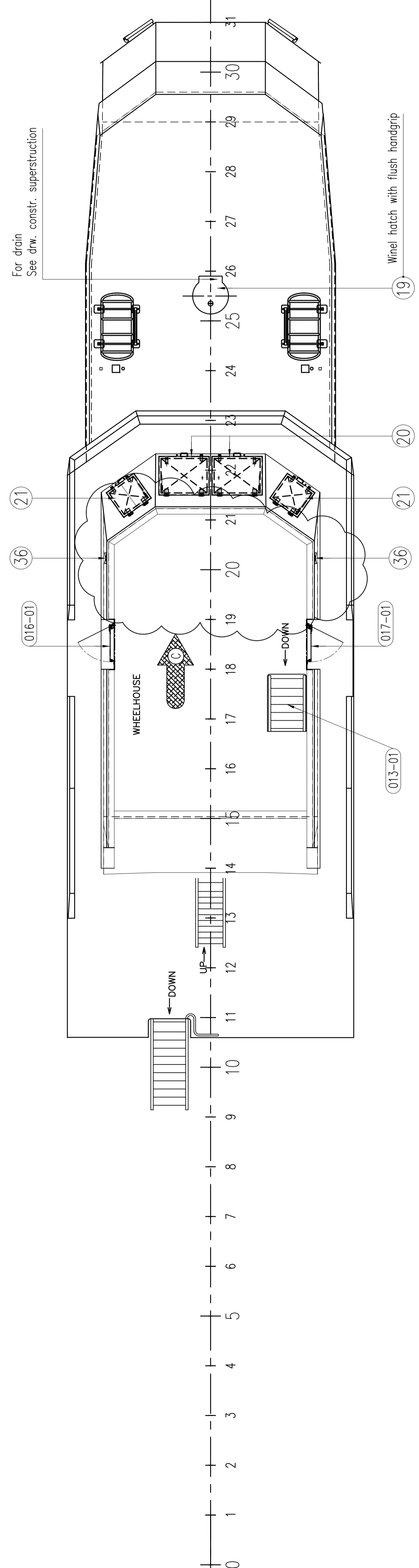


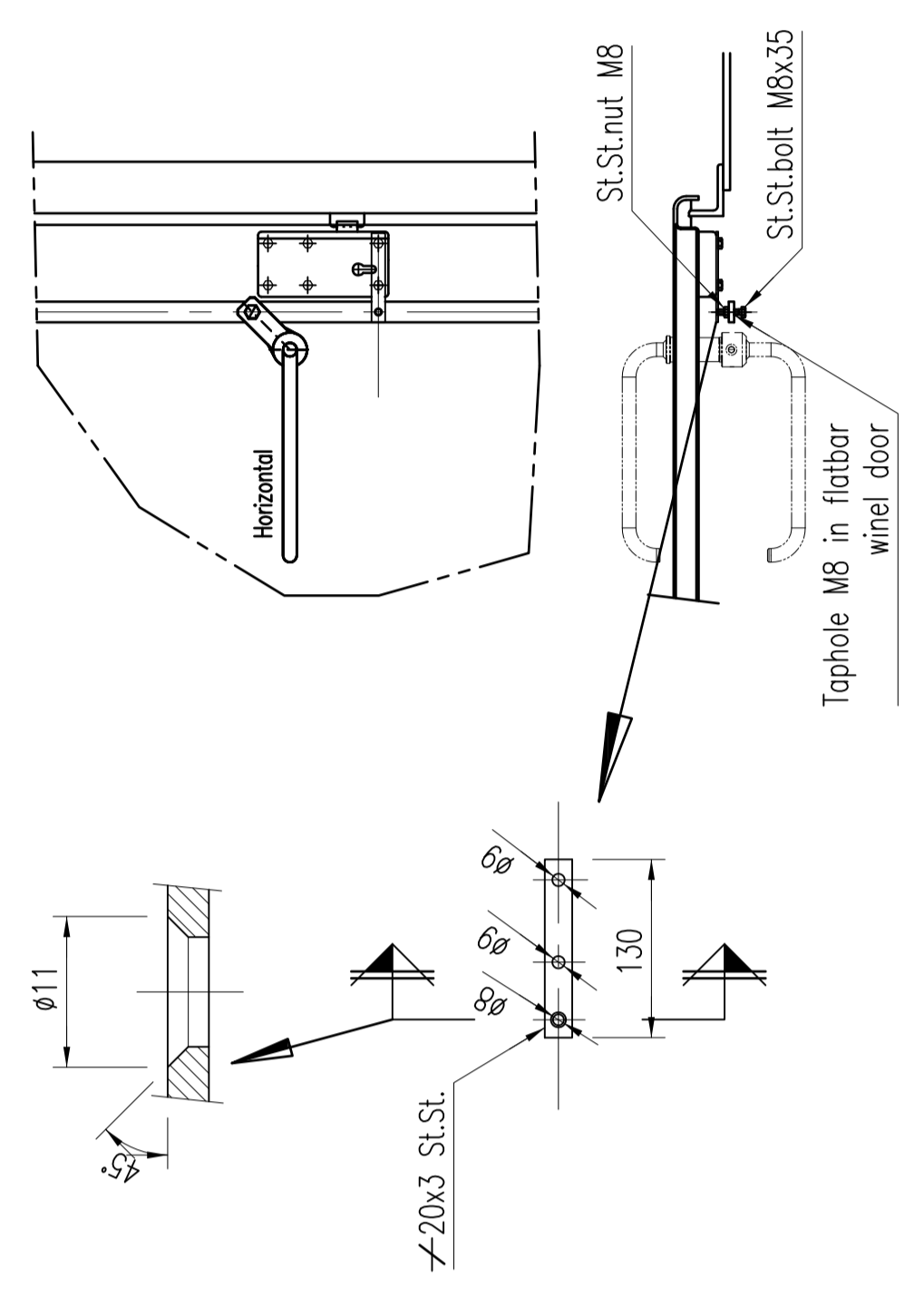
EXTERNAL PROFILE



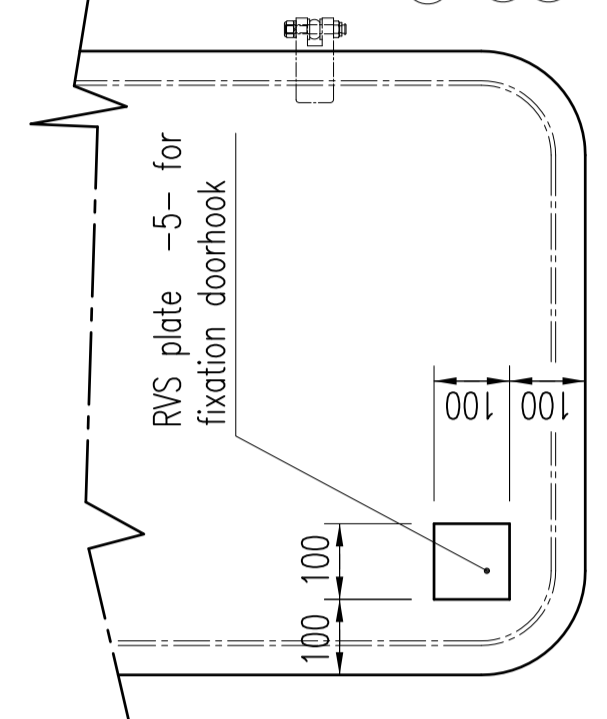
BRIDGEDECK



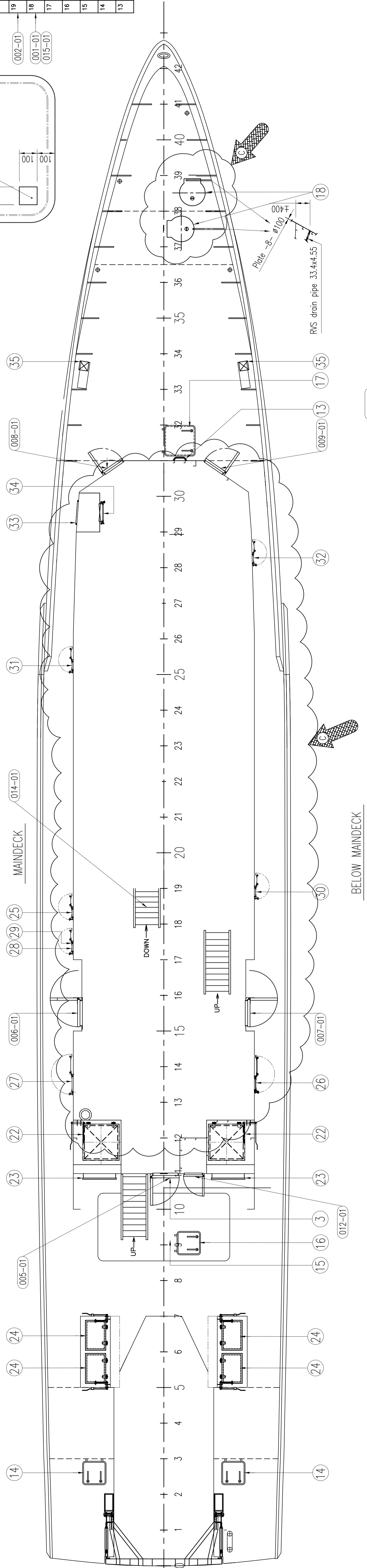
Lock device door 6 and 7



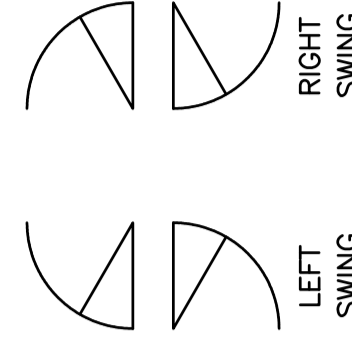
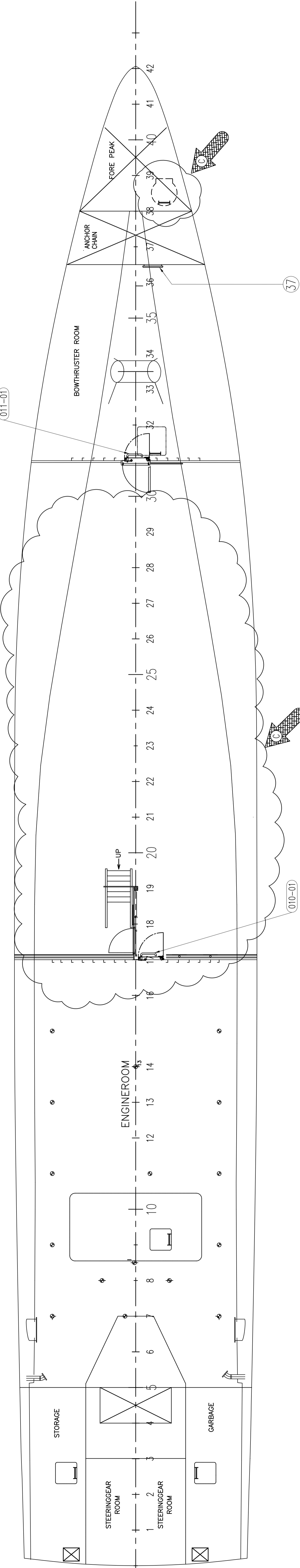
OUTRIGGER, HOOK



MAINDECK



BELOW MAINDECK



| NO. | DESCRIPTION | QTY | UNIT | REF. | REMARKS | MATERIAL |
|-----|-------------|-----|------|-----------|--|-----------|
| 37 | 1 | 1 | 1 | 490x380 | Masterlight hatch | Steel |
| 36 | 2 | 2 | 2 | 500x300 | On cabin locker | Aluminium |
| 35 | 2 | 2 | 2 | 116x215 | Ventilation gr. for PS | Aluminium |
| 34 | 1 | 1 | 1 | 370x250 | Fire flap | Steel |
| 33 | 1 | 1 | 1 | 168x300 | Bowthruster room SS, PS hatch for coolerfilter | Aluminium |
| 32 | 1 | 1 | 1 | 370x115 | Vent. hatch (top) | Aluminium |
| 31 | 1 | 1 | 1 | 216x215 | AC unit accommodation P.S. | Aluminium |
| 30 | 1 | 1 | 1 | 216x215 | Sanitary space SB fr. 28/29 | Aluminium |
| 29 | 1 | 1 | 1 | 216x215 | Sanitary space PS fr. 28/29 | Aluminium |
| 28 | 1 | 1 | 1 | 216x215 | Sanitary space SB fr. 19/19 | Aluminium |
| 27 | 1 | 1 | 1 | 216x215 | Sanitary space PS fr. 17/18 | Aluminium |
| 26 | 1 | 1 | 1 | 216x215 | Sanitary space SB fr. 17/18 | Aluminium |
| 25 | 1 | 1 | 1 | 300x300 | Overpressure gallery SB | Aluminium |
| 24 | 4 | 4 | 4 | 216x215 | Overpressure E.R. SB, PS | Aluminium |
| 23 | 2 | 2 | 2 | 500x770 | Masterlight hatch | Steel |
| 22 | 2 | 2 | 2 | 895x520 | Recess fuel/airation SS, PS | Aluminium |
| 21 | 2 | 2 | 2 | 875x975 | Hatch scabbard | Steel |
| 20 | 2 | 2 | 2 | 625x625 | Hatch bottomplate | Aluminium |
| 19 | 1 | 1 | 1 | 625x785 | Escape hatch | Aluminium |
| 18 | 1 | 1 | 1 | 625x785 | Escape hatch | Aluminium |
| 17 | 1 | 1 | 1 | 625x785 | Escape hatch | Aluminium |
| 16 | 1 | 1 | 1 | 625x785 | Escape hatch | Aluminium |
| 15 | 1 | 1 | 1 | 1854x4494 | Masterlight hatch | Steel |
| 14 | 1 | 1 | 1 | 625x785 | Escape hatch | Aluminium |
| 13 | 1 | 1 | 1 | 5999x100 | Handgrip | Aluminium |
| 12 | 1 | 1 | 1 | 625x785 | Escape hatch | Aluminium |
| 11 | 1 | 1 | 1 | 625x785 | Escape hatch | Aluminium |
| 10 | 1 | 1 | 1 | 625x785 | Escape hatch | Aluminium |
| 9 | 1 | 1 | 1 | 625x785 | Escape hatch | Aluminium |
| 8 | 1 | 1 | 1 | 625x785 | Escape hatch | Aluminium |
| 7 | 1 | 1 | 1 | 625x785 | Escape hatch | Aluminium |
| 6 | 1 | 1 | 1 | 625x785 | Escape hatch | Aluminium |
| 5 | 1 | 1 | 1 | 625x785 | Escape hatch | Aluminium |
| 4 | 1 | 1 | 1 | 625x785 | Escape hatch | Aluminium |
| 3 | 1 | 1 | 1 | 625x785 | Escape hatch | Aluminium |
| 2 | 1 | 1 | 1 | 625x785 | Escape hatch | Aluminium |
| 1 | 1 | 1 | 1 | 625x785 | Escape hatch | Aluminium |

| NO. | DESCRIPTION | QTY | UNIT | REF. | REMARKS | MATERIAL |
|-----|-------------|-----|------|----------|---------|-----------|
| 017 | 1 | 1 | 1 | 600x1800 | Light | Aluminium |
| 016 | 1 | 1 | 1 | 600x1800 | Light | Aluminium |
| 015 | 1 | 1 | 1 | 600x1800 | Light | Aluminium |
| 014 | 1 | 1 | 1 | 600x1800 | Light | Aluminium |
| 013 | 1 | 1 | 1 | 600x1800 | Light | Aluminium |
| 012 | 1 | 1 | 1 | 600x1800 | Light | Aluminium |
| 011 | 1 | 1 | 1 | 600x1800 | Light | Aluminium |
| 010 | 1 | 1 | 1 | 600x1800 | Light | Aluminium |
| 009 | 1 | 1 | 1 | 600x1800 | Light | Aluminium |
| 008 | 1 | 1 | 1 | 600x1800 | Light | Aluminium |
| 007 | 1 | 1 | 1 | 600x1800 | Light | Aluminium |
| 006 | 1 | 1 | 1 | 600x1800 | Light | Aluminium |
| 005 | 1 | 1 | 1 | 600x1800 | Light | Aluminium |
| 004 | 1 | 1 | 1 | 600x1800 | Light | Aluminium |
| 003 | 1 | 1 | 1 | 600x1800 | Light | Aluminium |
| 002 | 1 | 1 | 1 | 600x1800 | Light | Aluminium |
| 001 | 1 | 1 | 1 | 600x1800 | Light | Aluminium |