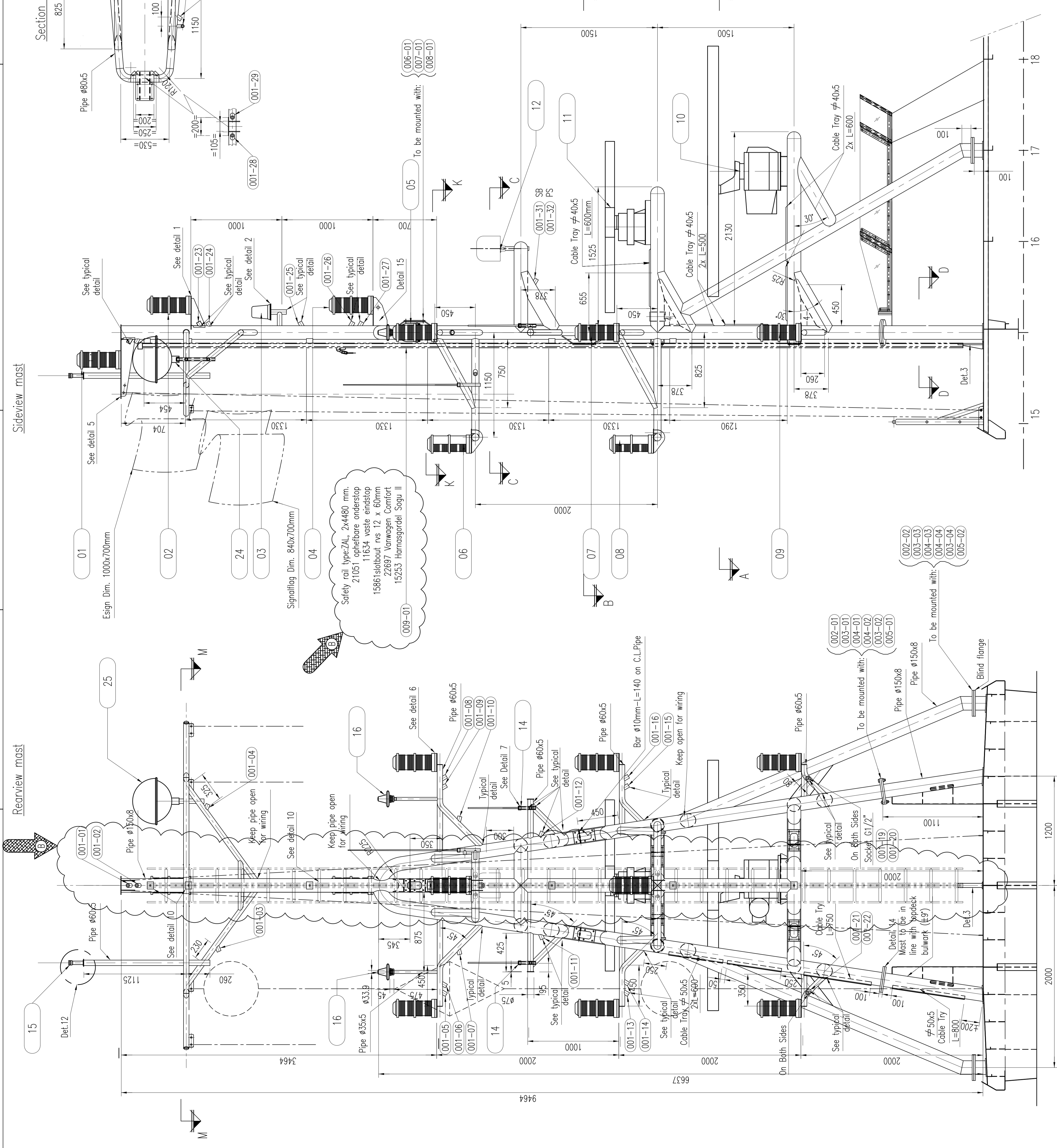
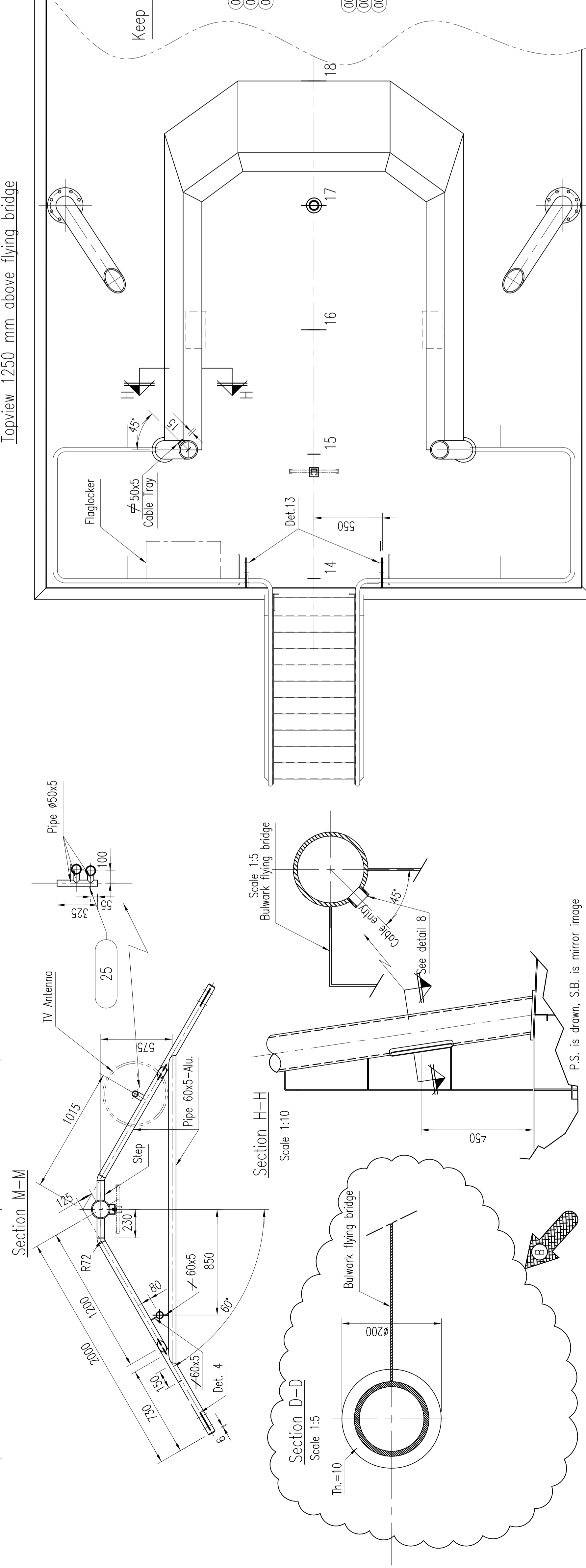
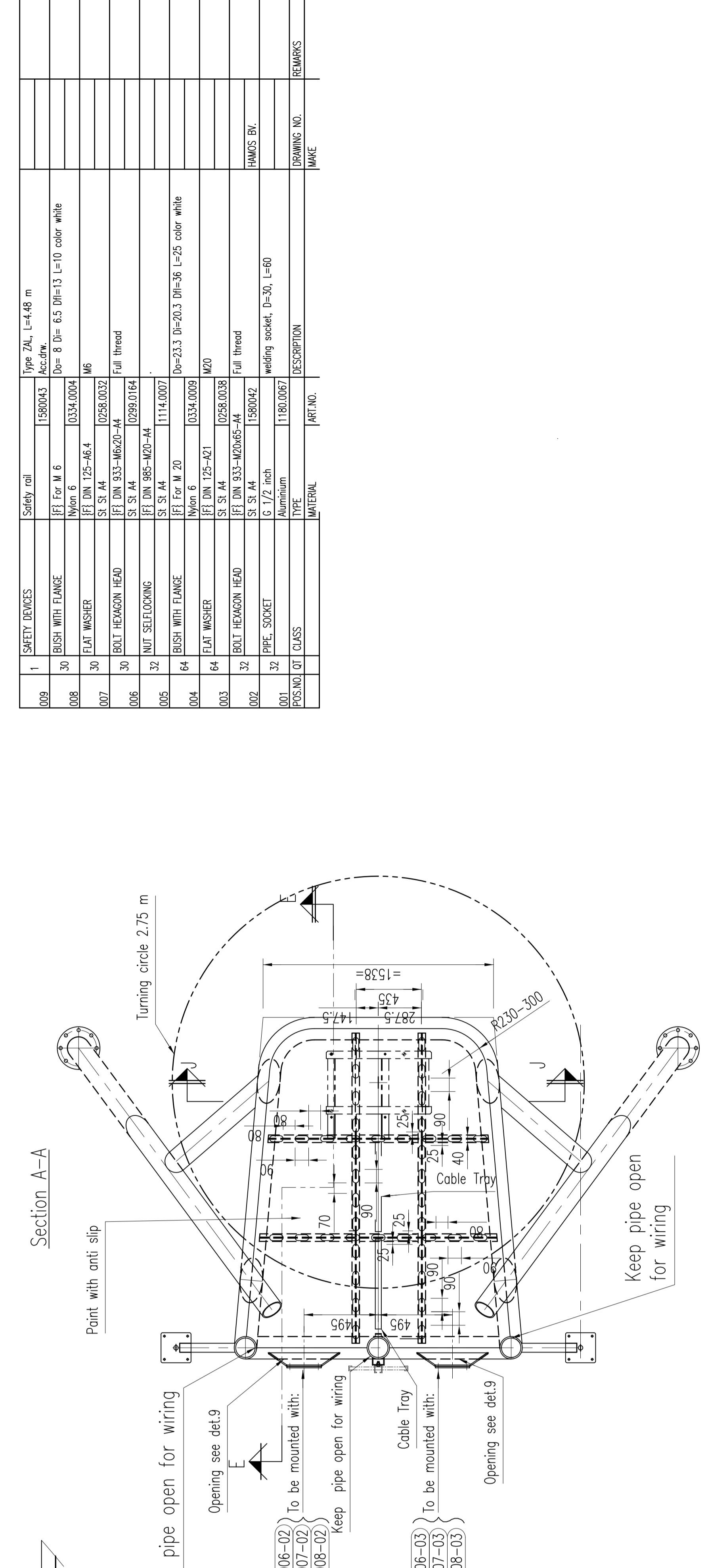
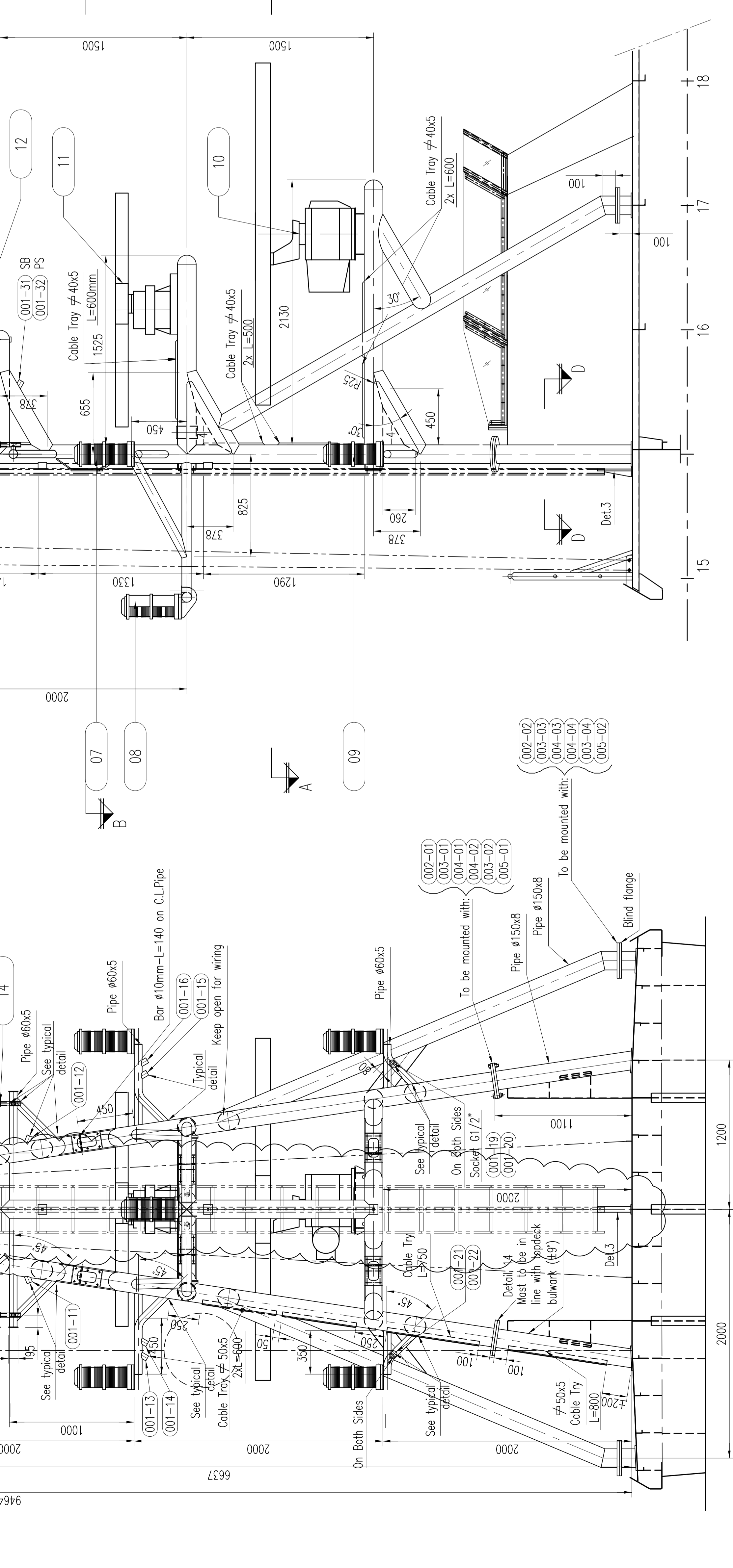
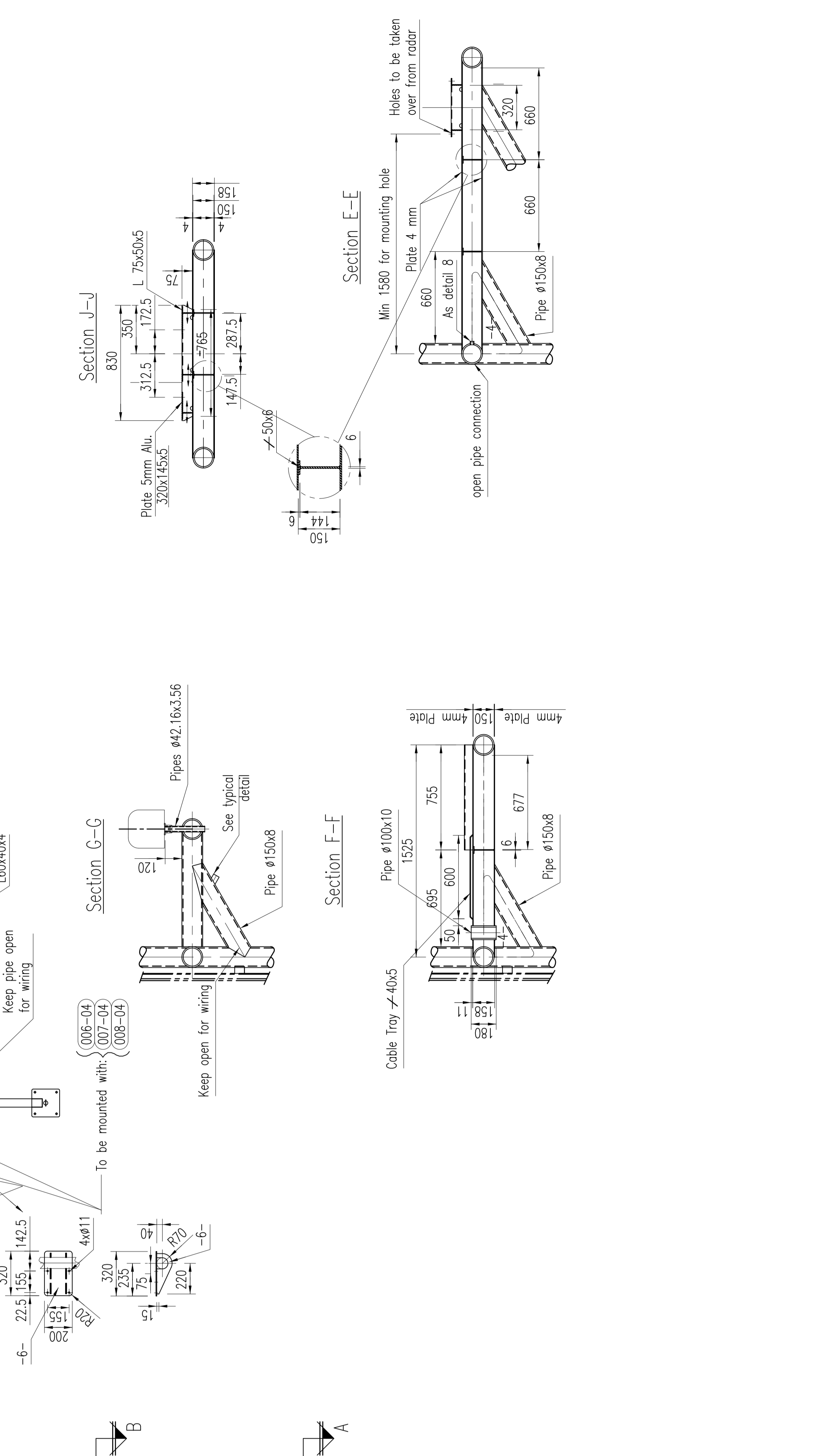
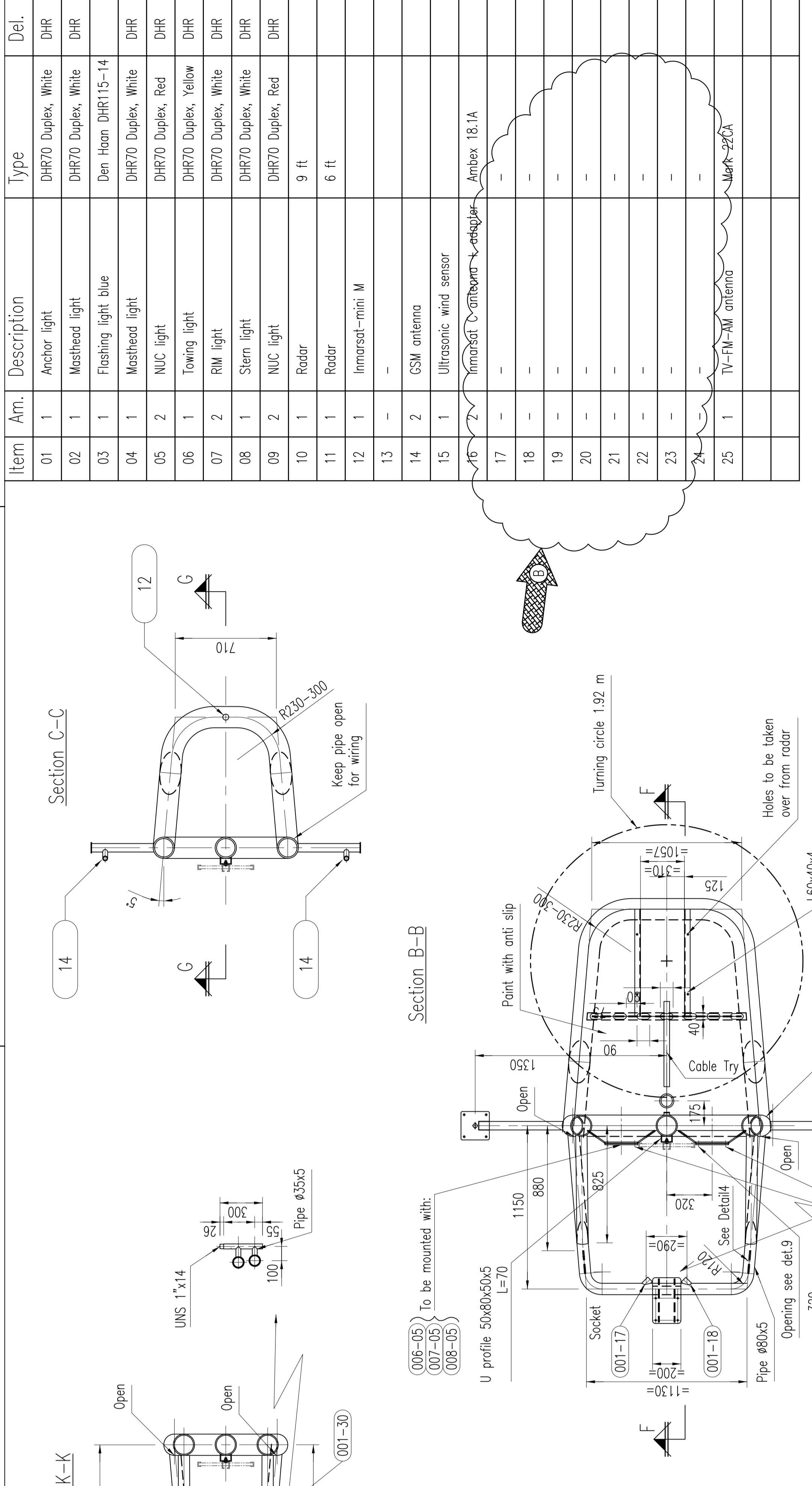


Sideview mast

Rearview mast



Item	Am.	Description	Type	Del.
01	1	Anchor light	DHR70 Duplex, White	DHR
02	1	Masthead light	DHR70 Duplex, White	DHR
03	1	Flashing light blue	Den Hoan DHR115-14	DHR
04	1	Masthead light	DHR70 Duplex, White	DHR
05	2	NUC light	DHR70 Duplex, Yellow	DHR
06	1	lowing light	DHR70 Duplex, White	DHR
07	2	RIM light	DHR70 Duplex, White	DHR
08	1	Stem light	DHR70 Duplex, White	DHR
09	2	NUC light	DHR70 Duplex, Red	DHR
10	1	Radar	9 ft	
11	1	Radar	6 ft	
12	1	Immarsat-mini M		
13	-	-		
14	2	GSM antenna		
15	1	Ultrasonic wind sensor		
16	2	Immarsat antenna	Amber 18.1A	
17	-	-		
18	-	-		
19	-	-		
20	-	-		
21	-	-		
22	-	-		
23	-	-		
24	-	-		
25	1	TV-FM-AV antenna	Mark-22CA	



ITEM	QTY	DESCRIPTION	UNIT	REMARKS
001	1	SAFETY RINGS	Type 2AL L=448 mm	
002	30	BUSH WITH FLANGE	Fl For M 6	
003	30	FLAT WASHER	Fl For M 6	
004	30	FLAT WASHER	Fl For M 6	
005	30	BOLT HEXAGON HEAD	Fl DIN 934-M6x20-M	
006	30	BOLT HEXAGON HEAD	Fl DIN 934-M6x20-M	
007	30	BOLT HEXAGON HEAD	Fl DIN 934-M6x20-M	
008	30	BOLT HEXAGON HEAD	Fl DIN 934-M6x20-M	
009	30	BOLT HEXAGON HEAD	Fl DIN 934-M6x20-M	
010	30	BOLT HEXAGON HEAD	Fl DIN 934-M6x20-M	
011	30	BOLT HEXAGON HEAD	Fl DIN 934-M6x20-M	
012	30	BOLT HEXAGON HEAD	Fl DIN 934-M6x20-M	
013	30	BOLT HEXAGON HEAD	Fl DIN 934-M6x20-M	
014	30	BOLT HEXAGON HEAD	Fl DIN 934-M6x20-M	
015	30	BOLT HEXAGON HEAD	Fl DIN 934-M6x20-M	
016	30	BOLT HEXAGON HEAD	Fl DIN 934-M6x20-M	
017	30	BOLT HEXAGON HEAD	Fl DIN 934-M6x20-M	
018	30	BOLT HEXAGON HEAD	Fl DIN 934-M6x20-M	
019	30	BOLT HEXAGON HEAD	Fl DIN 934-M6x20-M	
020	30	BOLT HEXAGON HEAD	Fl DIN 934-M6x20-M	
021	30	BOLT HEXAGON HEAD	Fl DIN 934-M6x20-M	
022	30	BOLT HEXAGON HEAD	Fl DIN 934-M6x20-M	
023	30	BOLT HEXAGON HEAD	Fl DIN 934-M6x20-M	
024	30	BOLT HEXAGON HEAD	Fl DIN 934-M6x20-M	
025	30	BOLT HEXAGON HEAD	Fl DIN 934-M6x20-M	
026	30	BOLT HEXAGON HEAD	Fl DIN 934-M6x20-M	
027	30	BOLT HEXAGON HEAD	Fl DIN 934-M6x20-M	
028	30	BOLT HEXAGON HEAD	Fl DIN 934-M6x20-M	
029	30	BOLT HEXAGON HEAD	Fl DIN 934-M6x20-M	
030	30	BOLT HEXAGON HEAD	Fl DIN 934-M6x20-M	
031	30	BOLT HEXAGON HEAD	Fl DIN 934-M6x20-M	
032	30	BOLT HEXAGON HEAD	Fl DIN 934-M6x20-M	
033	30	BOLT HEXAGON HEAD	Fl DIN 934-M6x20-M	
034	30	BOLT HEXAGON HEAD	Fl DIN 934-M6x20-M	
035	30	BOLT HEXAGON HEAD	Fl DIN 934-M6x20-M	
036	30	BOLT HEXAGON HEAD	Fl DIN 934-M6x20-M	
037	30	BOLT HEXAGON HEAD	Fl DIN 934-M6x20-M	
038	30	BOLT HEXAGON HEAD	Fl DIN 934-M6x20-M	
039	30	BOLT HEXAGON HEAD	Fl DIN 934-M6x20-M	
040	30	BOLT HEXAGON HEAD	Fl DIN 934-M6x20-M	
041	30	BOLT HEXAGON HEAD	Fl DIN 934-M6x20-M	
042	30	BOLT HEXAGON HEAD	Fl DIN 934-M6x20-M	
043	30	BOLT HEXAGON HEAD	Fl DIN 934-M6x20-M	
044	30	BOLT HEXAGON HEAD	Fl DIN 934-M6x20-M	
045	30	BOLT HEXAGON HEAD	Fl DIN 934-M6x20-M	
046	30	BOLT HEXAGON HEAD	Fl DIN 934-M6x20-M	
047	30	BOLT HEXAGON HEAD	Fl DIN 934-M6x20-M	
048	30	BOLT HEXAGON HEAD	Fl DIN 934-M6x20-M	
049	30	BOLT HEXAGON HEAD	Fl DIN 934-M6x20-M	
050	30	BOLT HEXAGON HEAD	Fl DIN 934-M6x20-M	