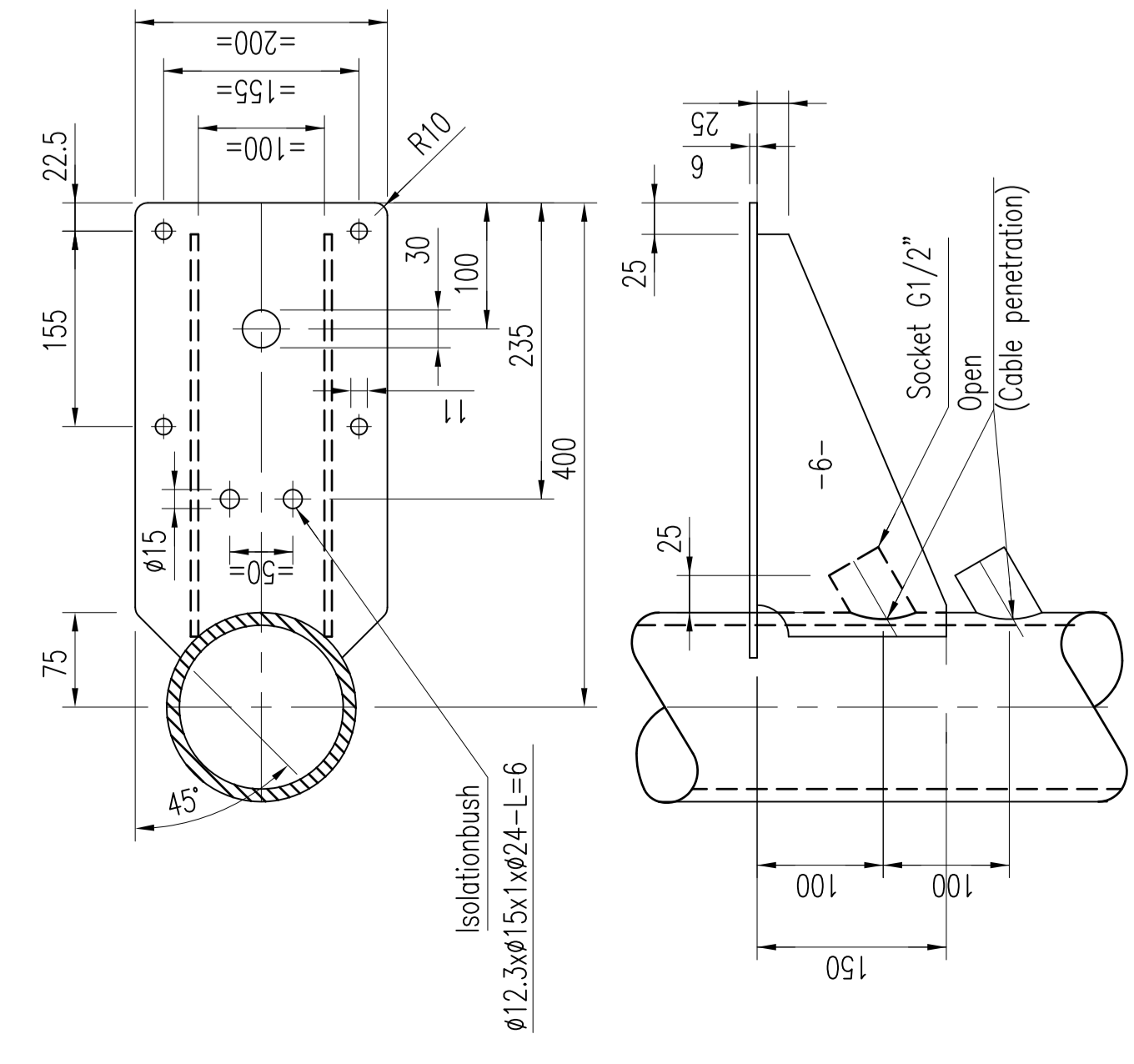
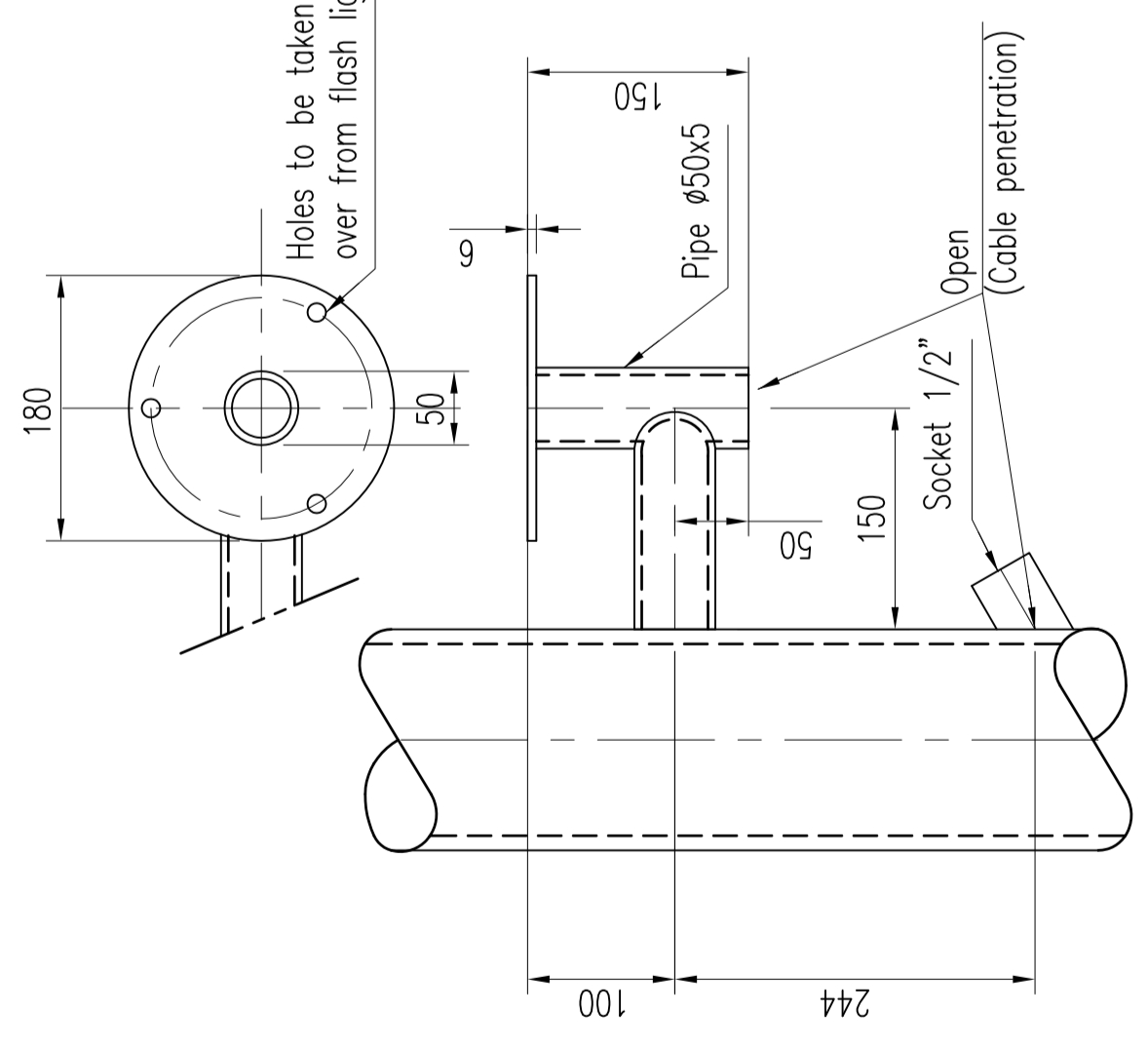


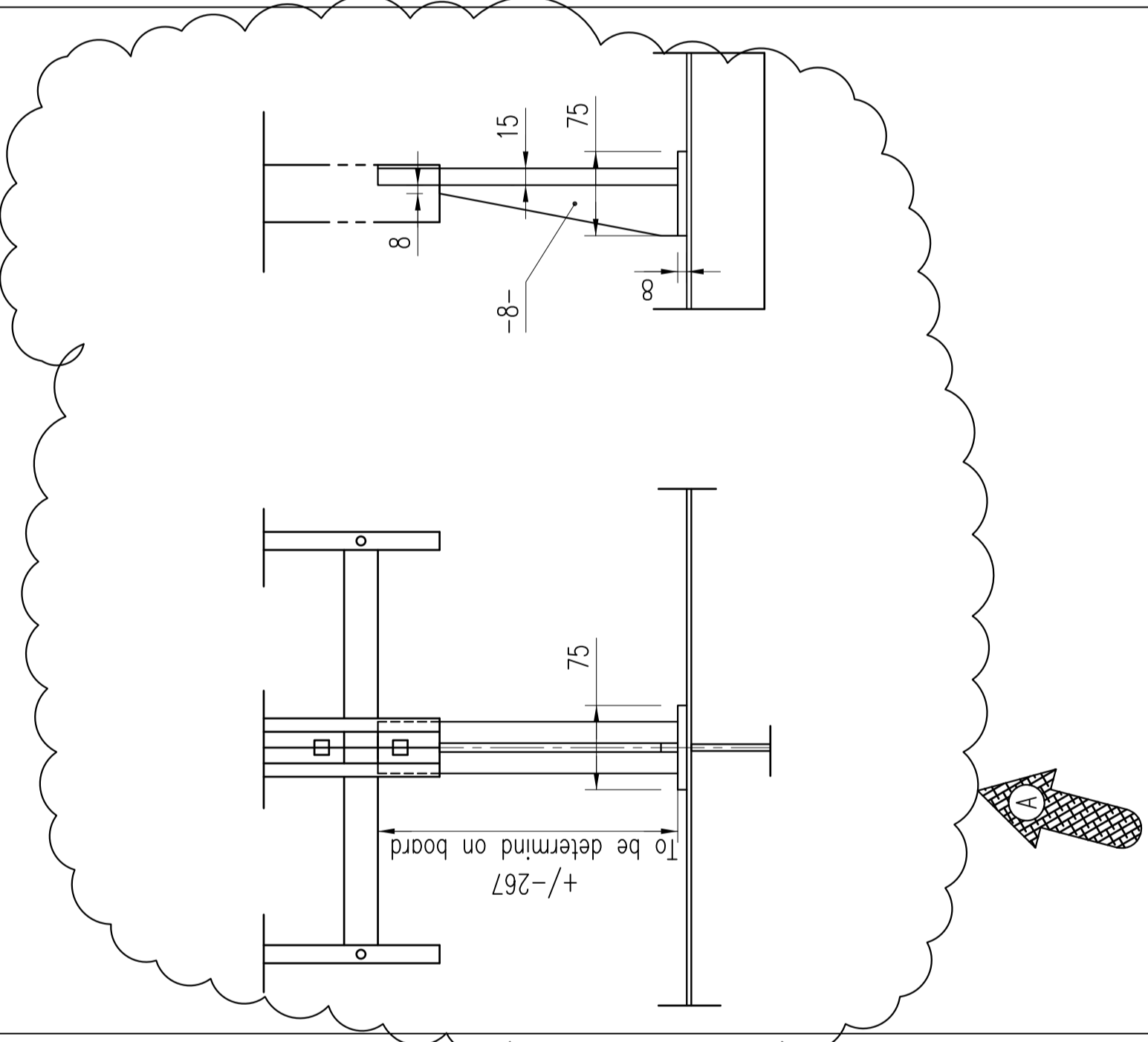
Detail 1: Typical detail mounting plate
Seating for navigation light DHR70 (duplex type)



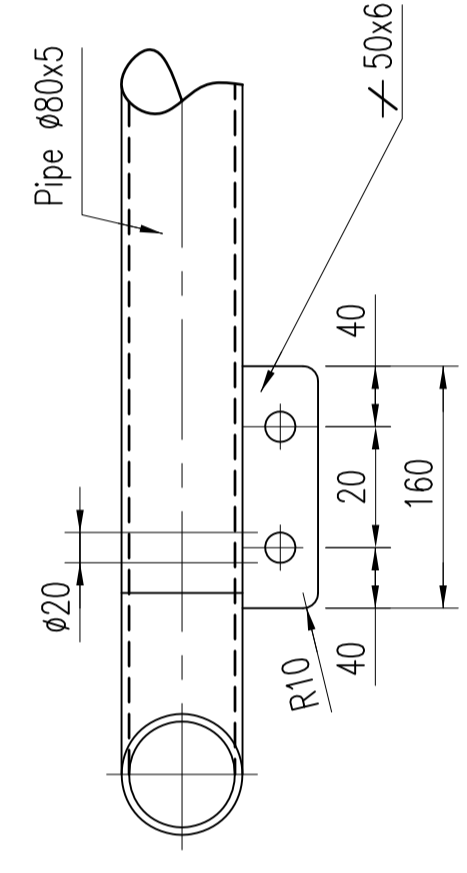
Detail 2
Seating for flashing light Bosch RKLE 110



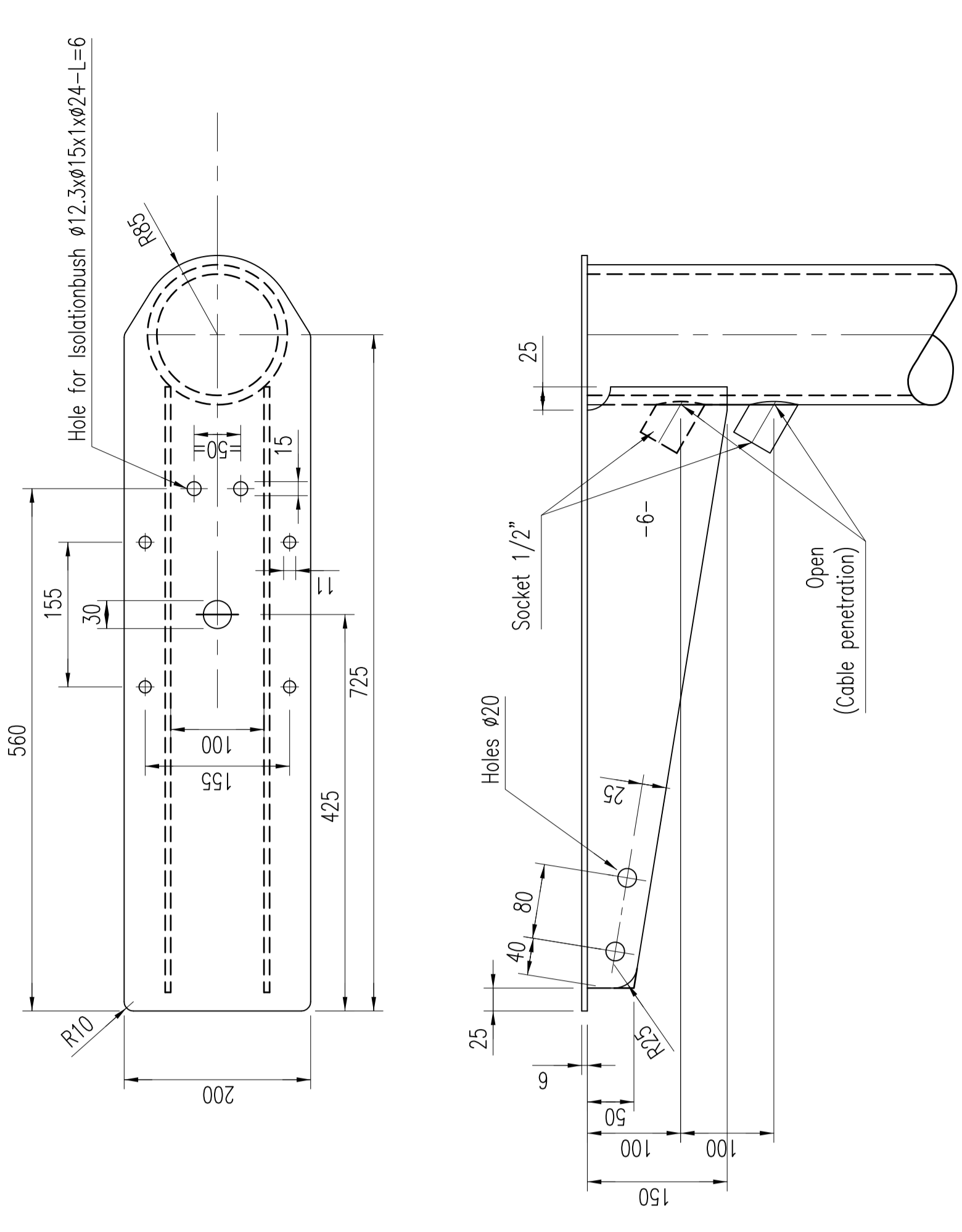
Detail 3



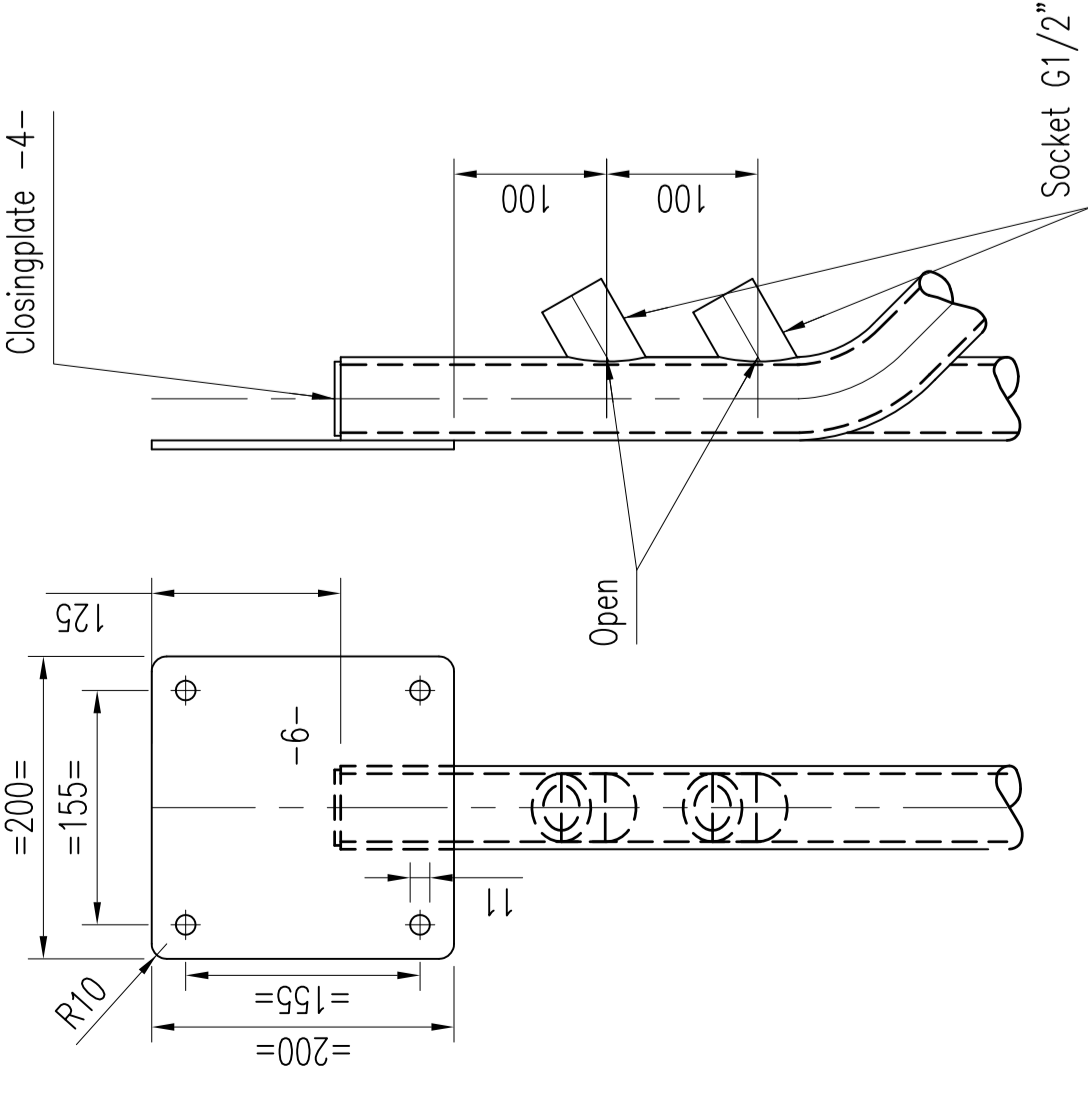
Detail 4
Scale 1:5



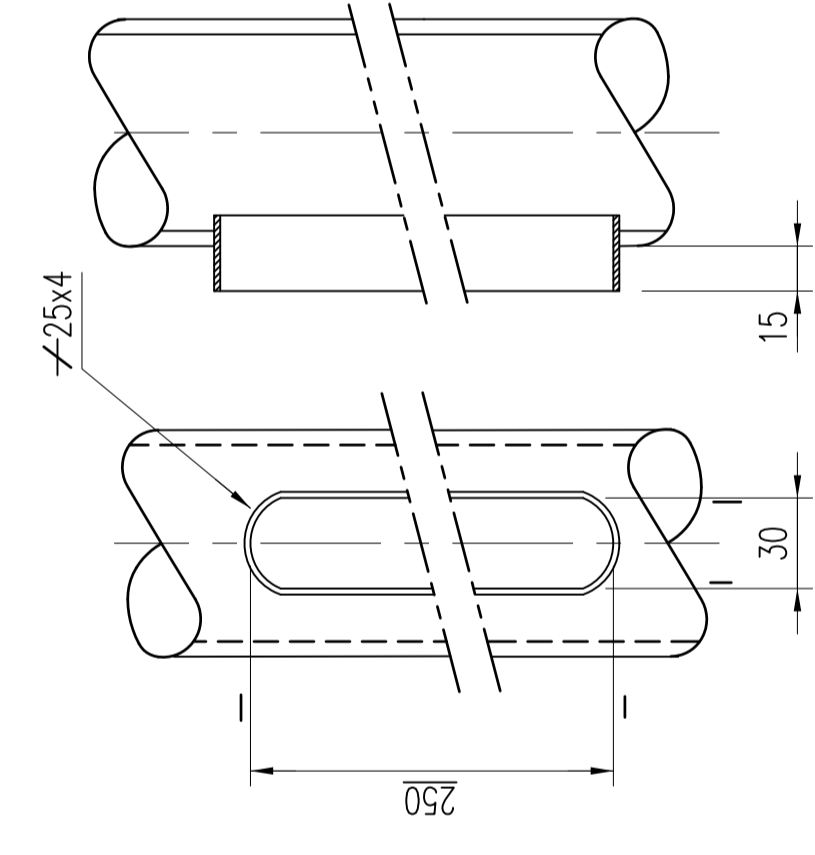
Detail 5
Scale 1:5



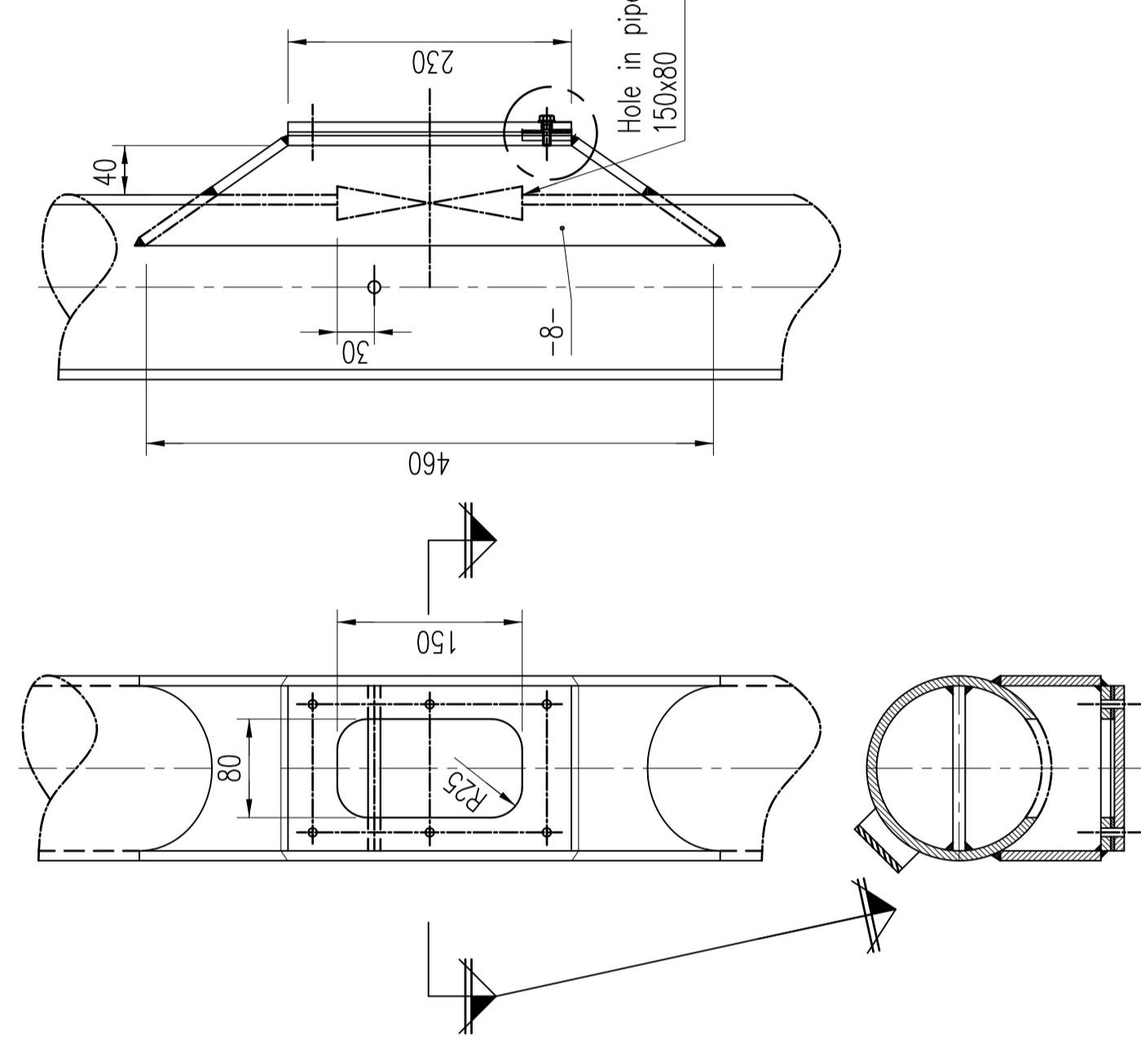
Detail 6: Typical detail mounting plate
Seating for navigation light DHR70 (duplex type)



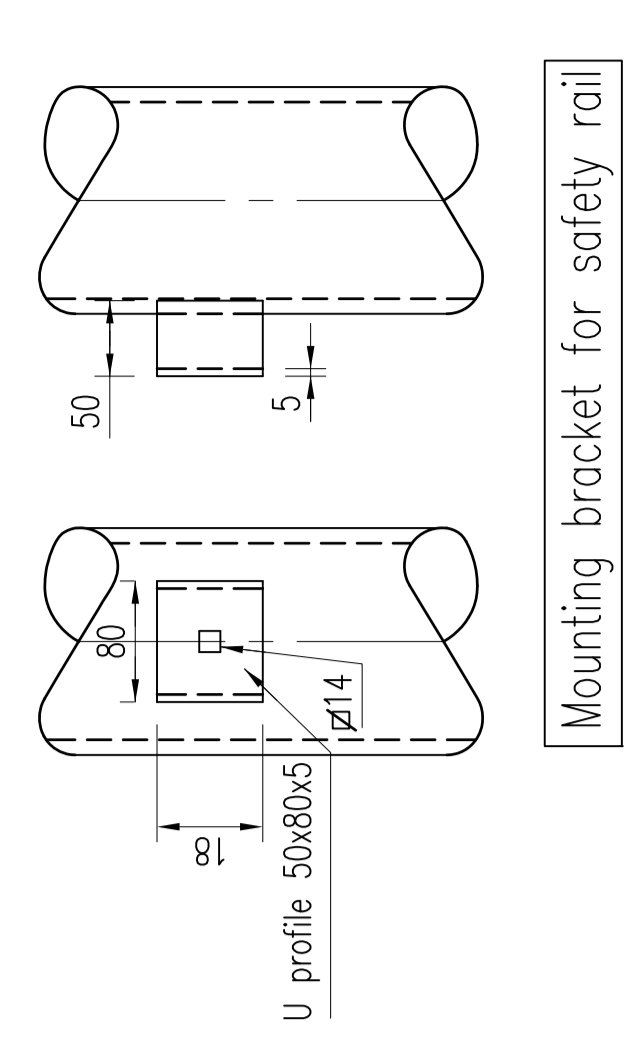
Detail 8
Scale 1:2.5



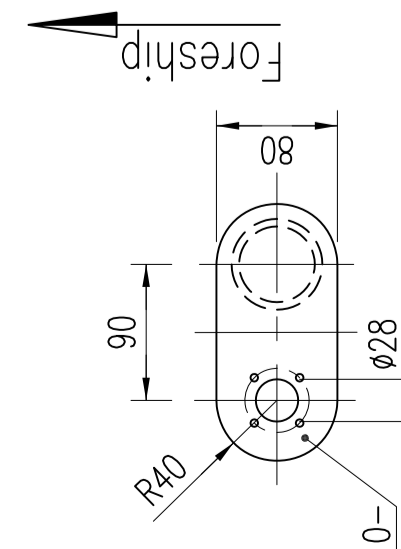
Detail 9



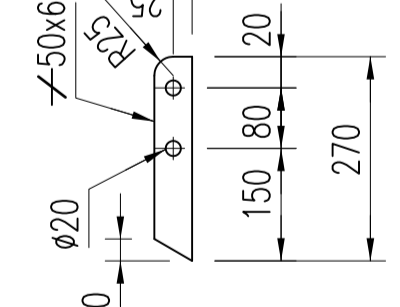
Detail 10
Scale 1:5



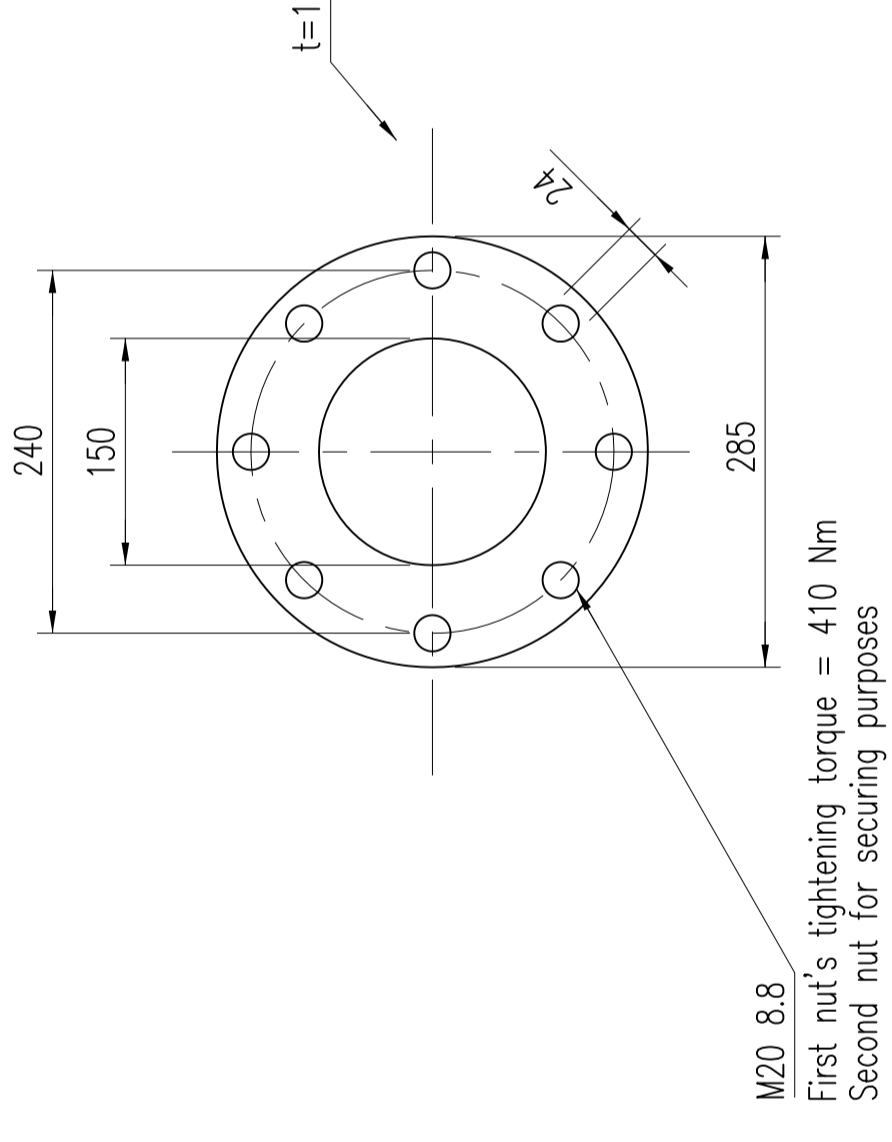
Detail 12: Foundation ultrasonic wind sensor



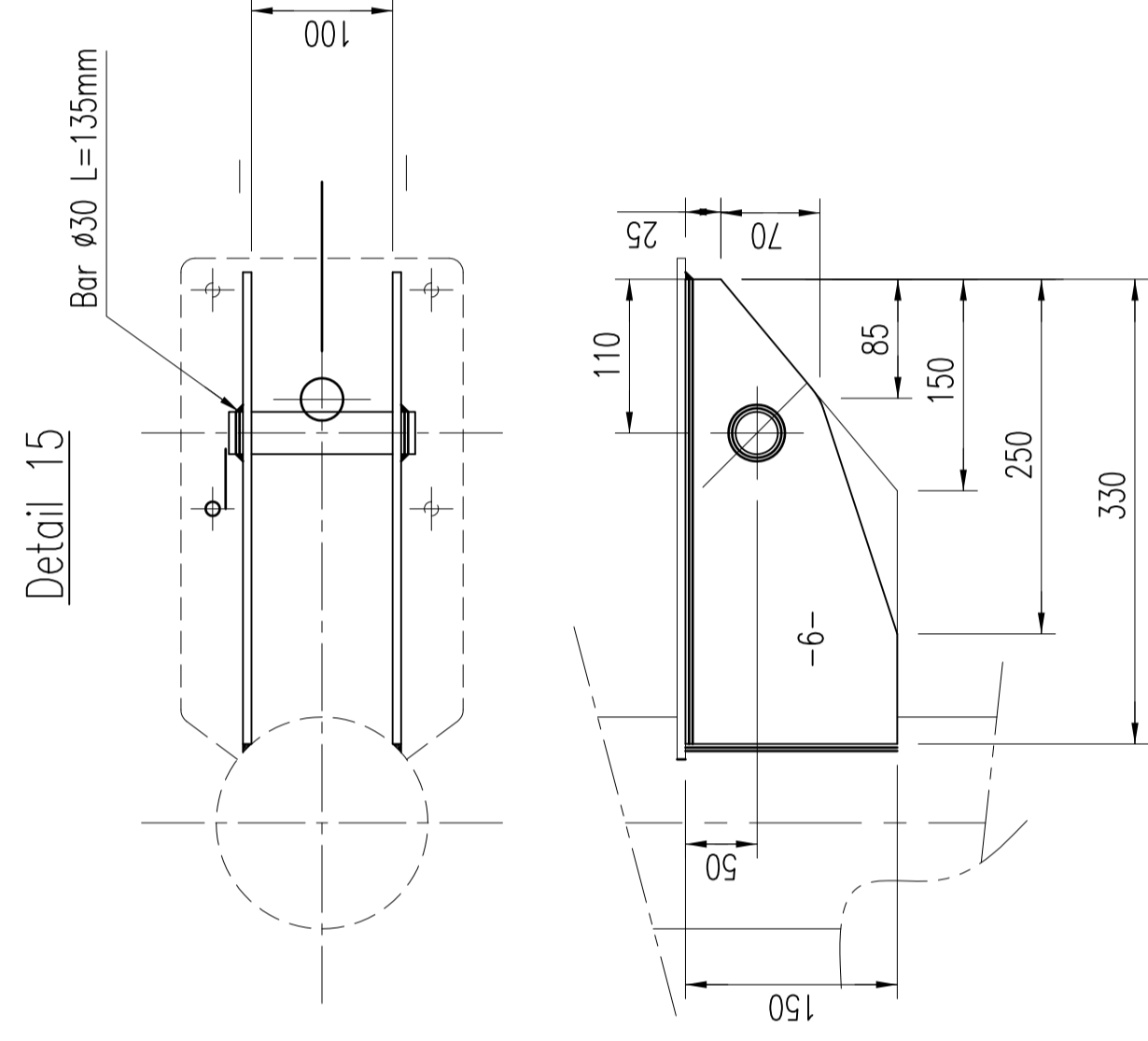
Detail 13



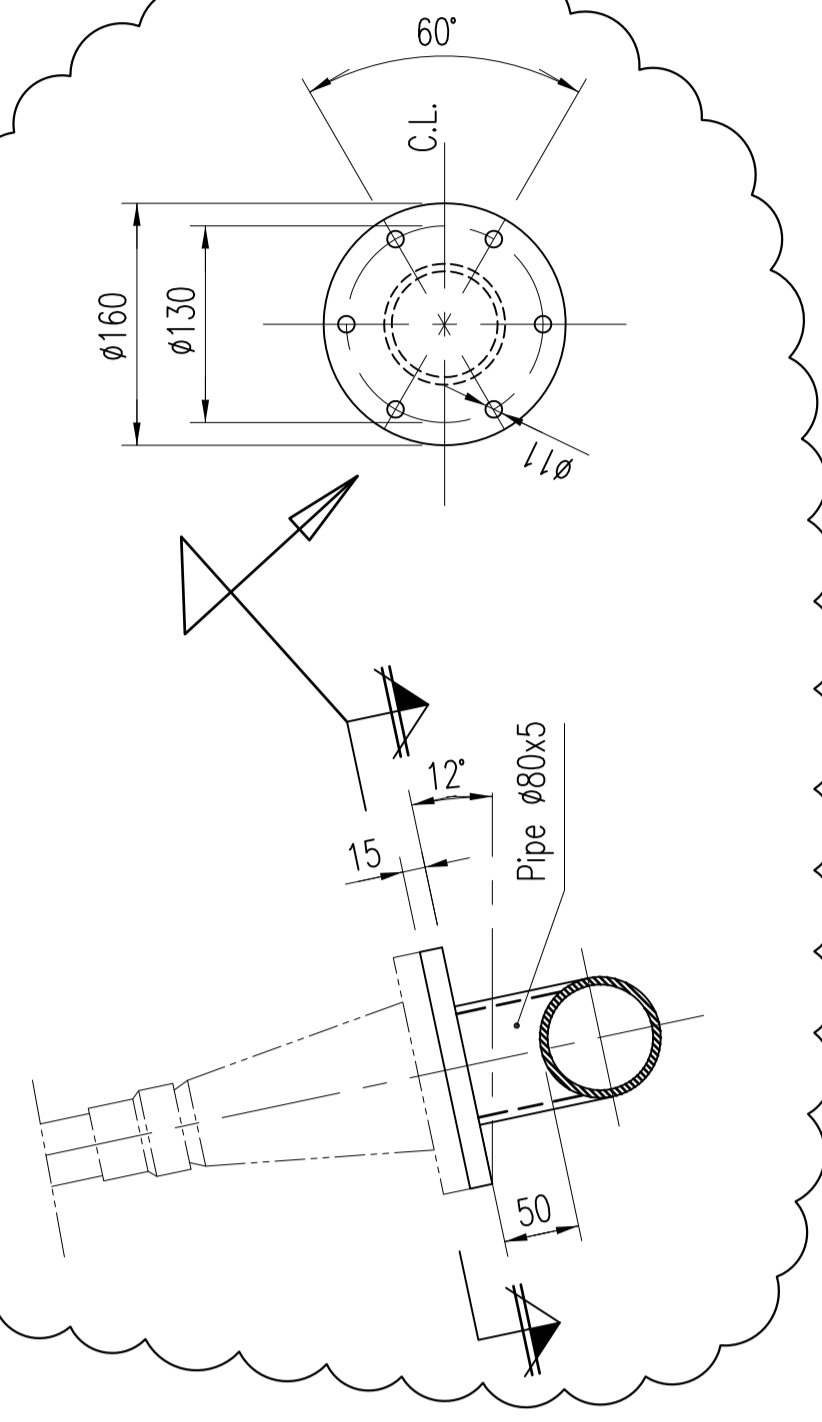
Detail 14



Detail 15



Detail 16



Typical detail of socket Typical detail of Pipe Ø60x5

