

Join to us on facebook:

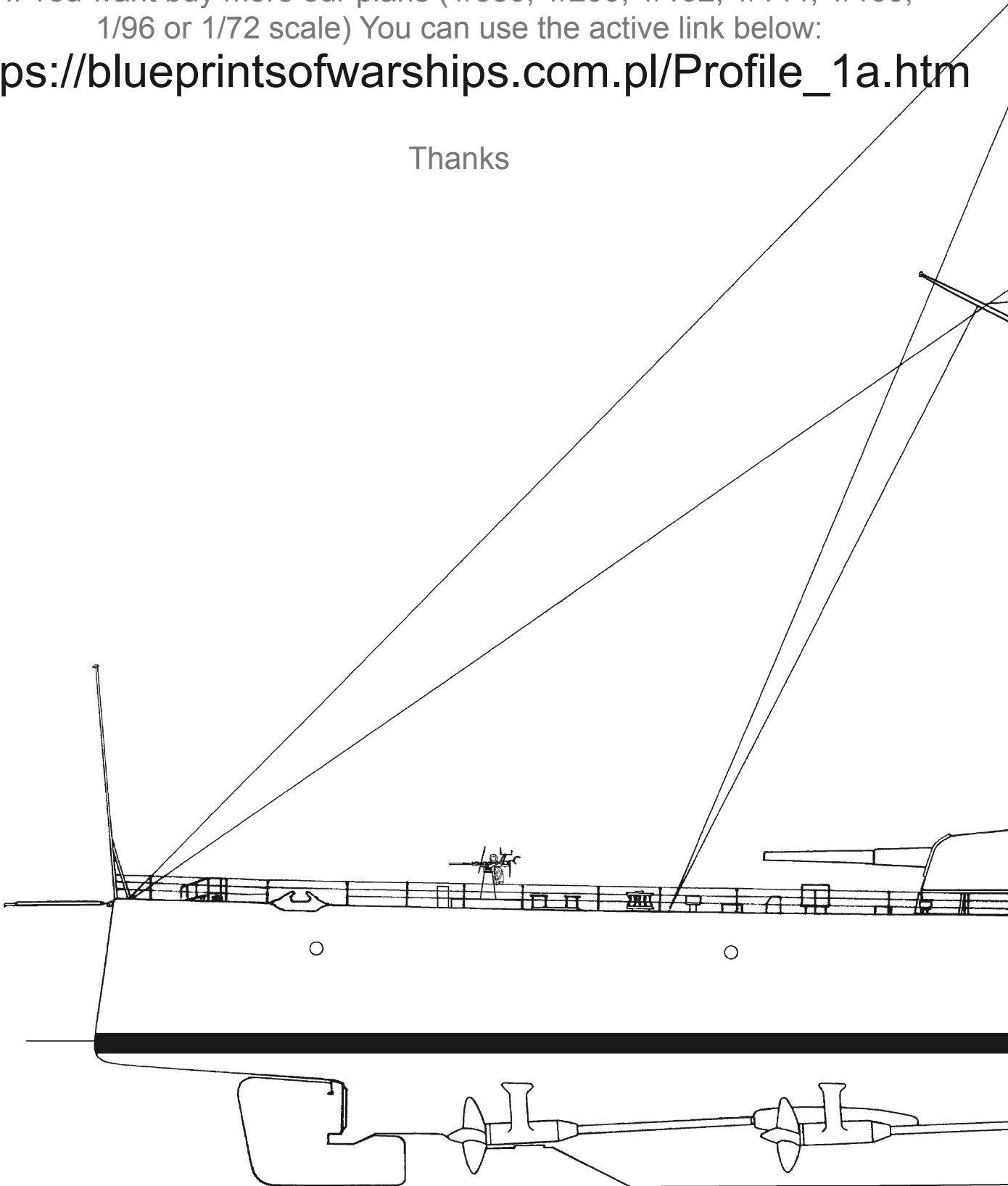
<https://www.facebook.com/blueprintsofwarships/>

These plans are free, but ...

If You want buy more our plans (1/350, 1/200, 1/192, 1/144, 1/100,
1/96 or 1/72 scale) You can use the active link below:

https://blueprintsofwarships.com.pl/Profile_1a.htm

Thanks



**This plans are supplementing the P
publication No. 3 (HM**

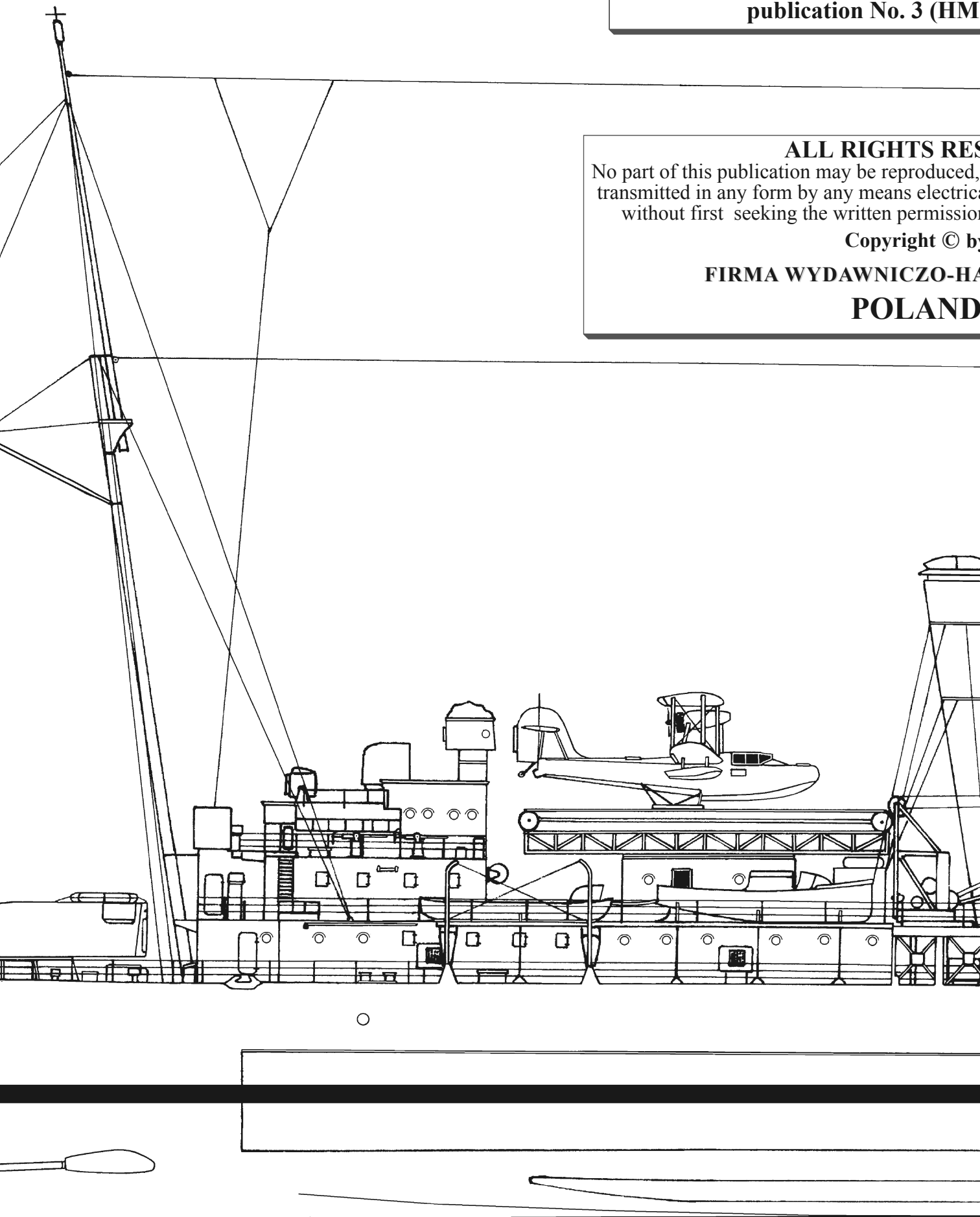
ALL RIGHTS RES

No part of this publication may be reproduced,
transmitted in any form by any means electric
without first seeking the written permission

Copyright © by

FIRMA WYDAWNICZO-HA

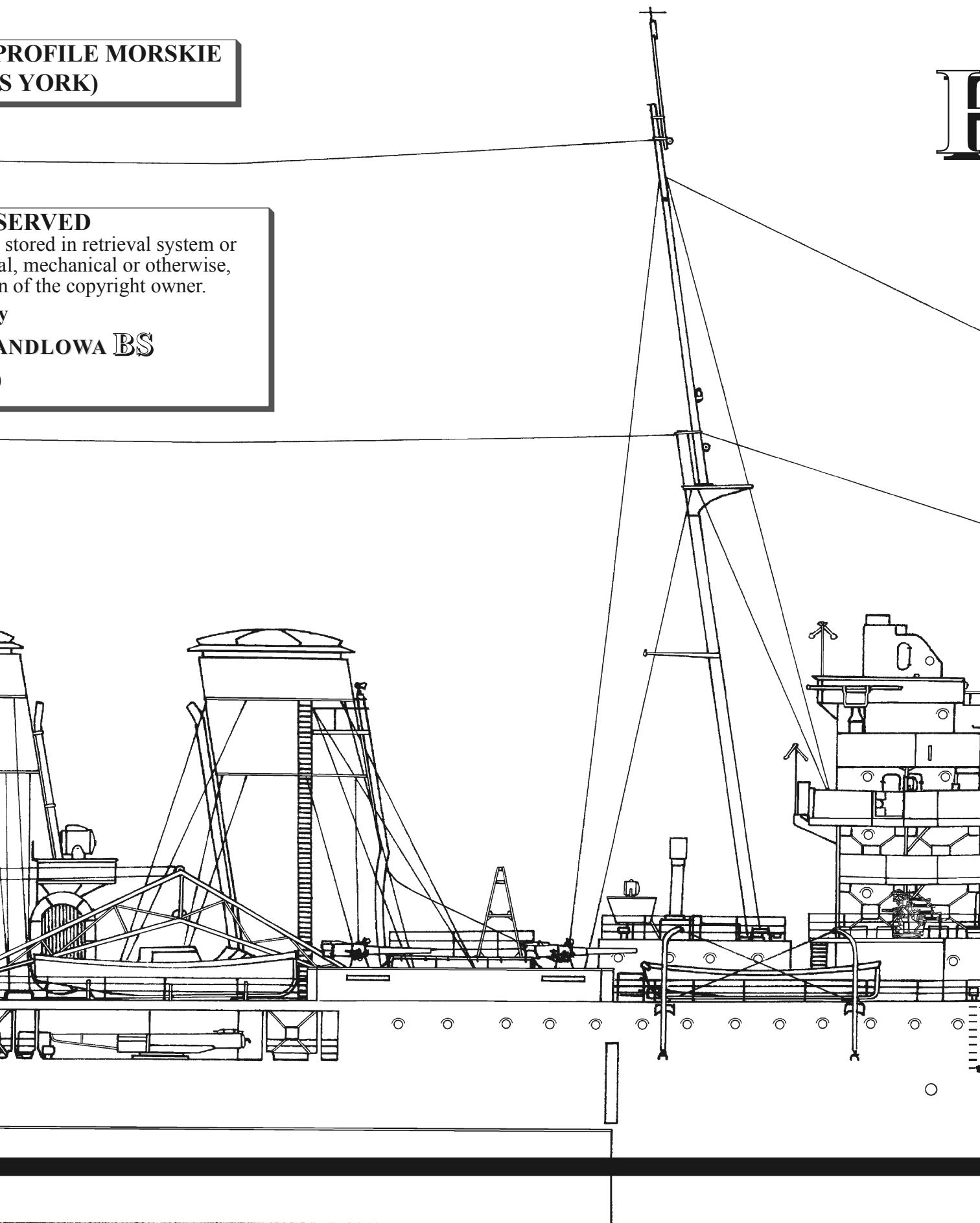
POLAND



PROFILE MORSKIE
(S YORK)

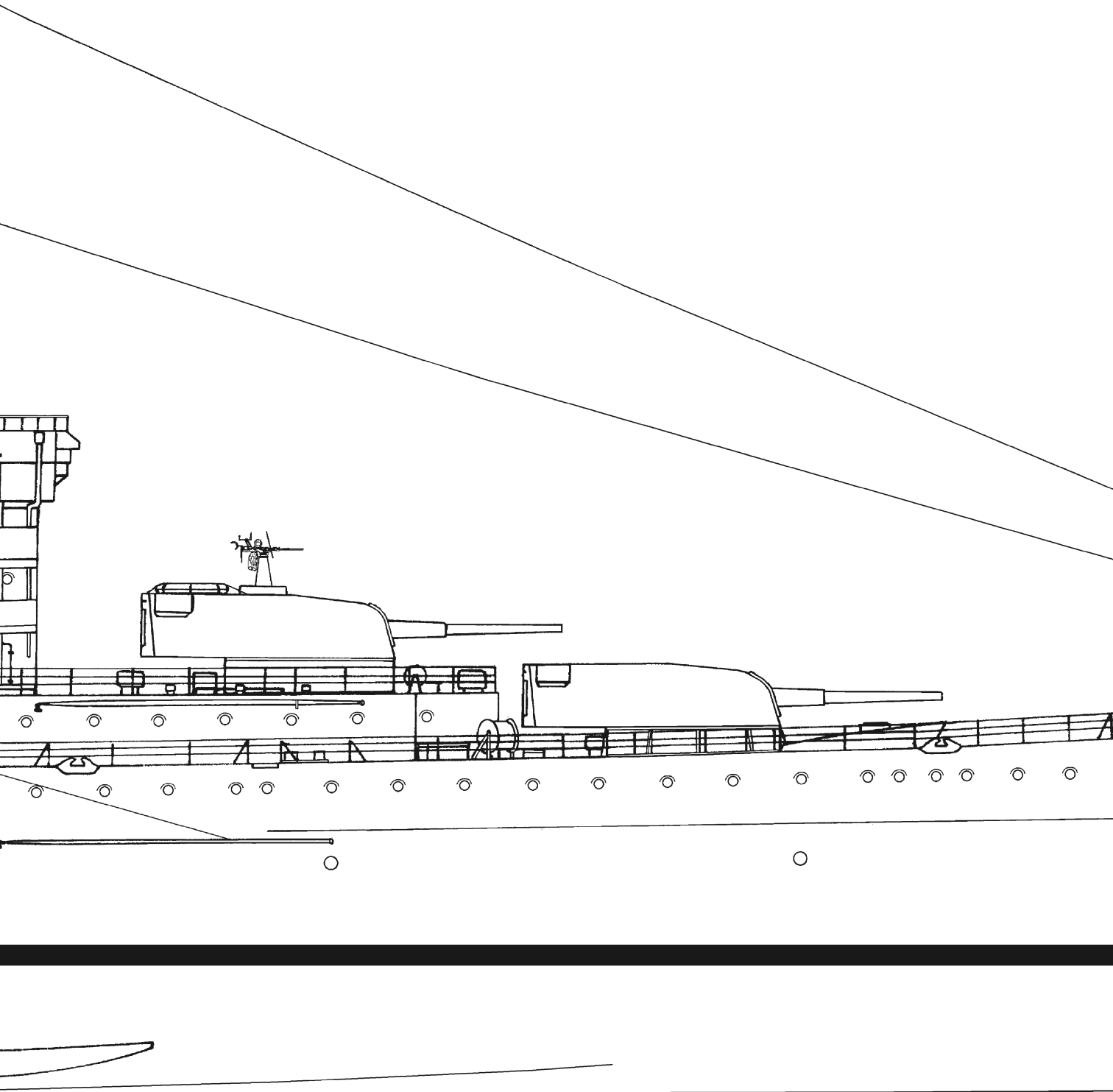
SERVED
stored in retrieval system or
al, mechanical or otherwise,
n of the copyright owner.

ANDLOWA BS



HMS YORK (194

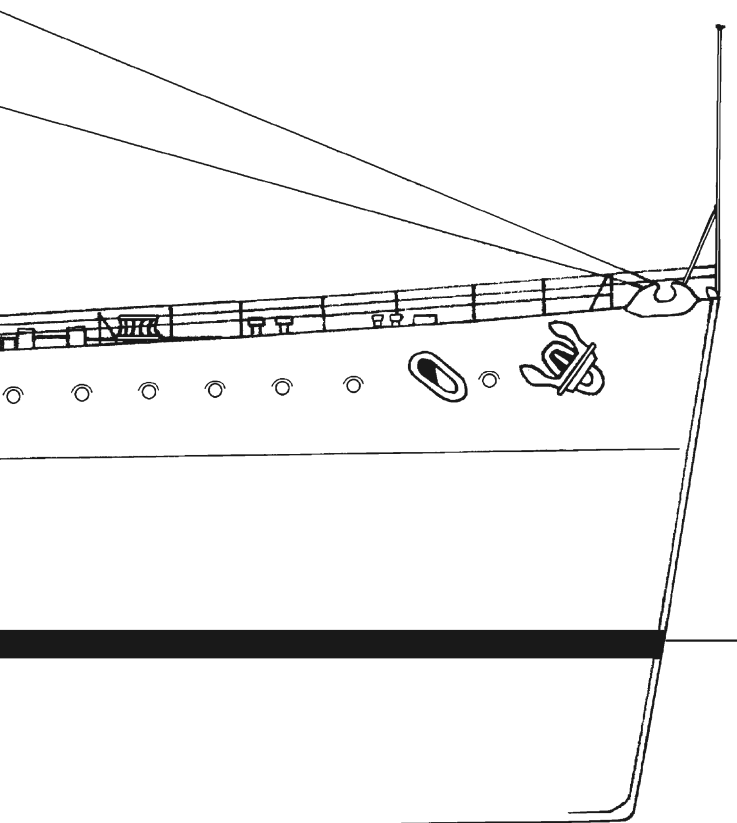
1:200

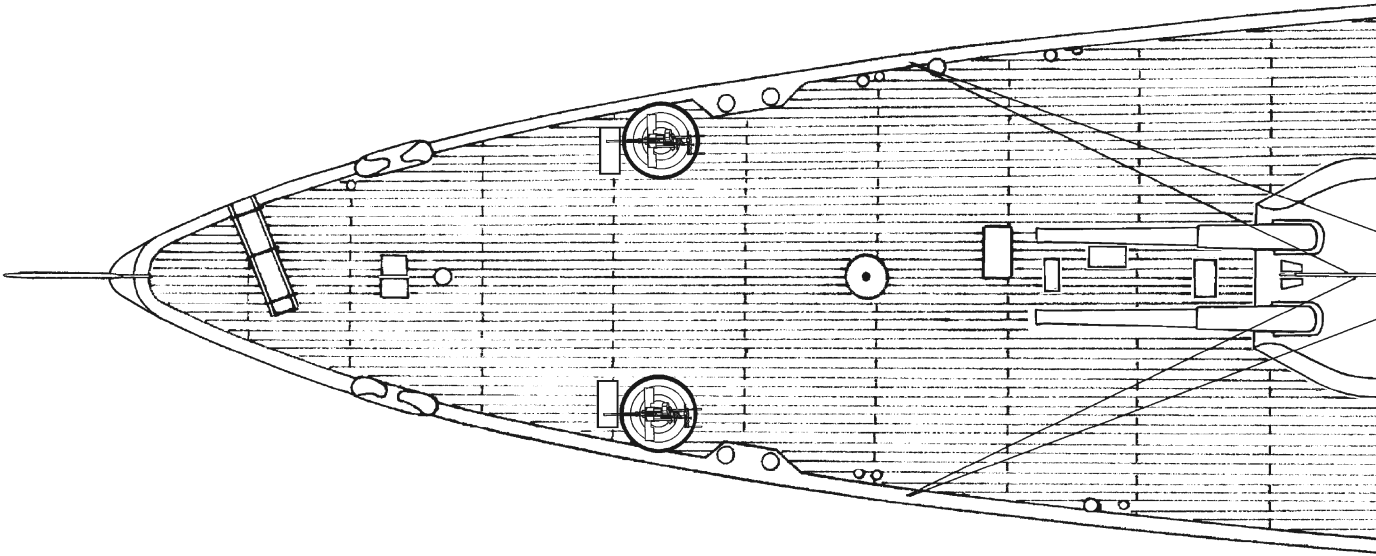


1)

Położenie stepki (Laid down)	16.04.1927.
Wodowanie (Launched)	17.07.1928.
Oddanie do służby (Completed)	01.05.1930.
Stocznia (Builder)	Palmer Yarrow
Wyporność (Displacement)**	8250 t* (lekka / light); 10350 t* (pełna / full load).
Długość (Length)	172,25 m (całkowita / oa).
Szerokość (Beam)	17,37 m m.
Zanurzenie (Draught)	6,17 m.
Maszyny (Machinery)	cztery turbiny Parsons o łącznej mocy 80000 KM; osiem kotłów Admiralty/ four turbines Parsons (80000 SHP), eight boilers Admiralty type.
Prędkość (Speed)	32,3 w / kts (max).
Paliwo (Bunkerage)	1900 t*.
Zasięg (Range)	10000 Mm przy 14 w / 10000nm at 14 kts;
Opancerzenie (Protection)	76 mm-51 mm - pancierz burtowy / main belt; 51 mm - pokład główny / main deck; 111 mm - 76 mm - magazyny / magazines; 25,4 mm mm - wieże / turrets.
Uzbrojenie (Armament)	6 x 203 mm (3x2) 4 x 102 mm (4x1) 3 x 20 mm (3x1) 8 x 12,7 mm (2x4) 6 x 533 mm r.t. (2x3) 1 katapulta, 1 wodnosamolot
Załoga (Complement)	628 ludzi /men.

* 1 t = 1016 kg;
** - 10.1942.



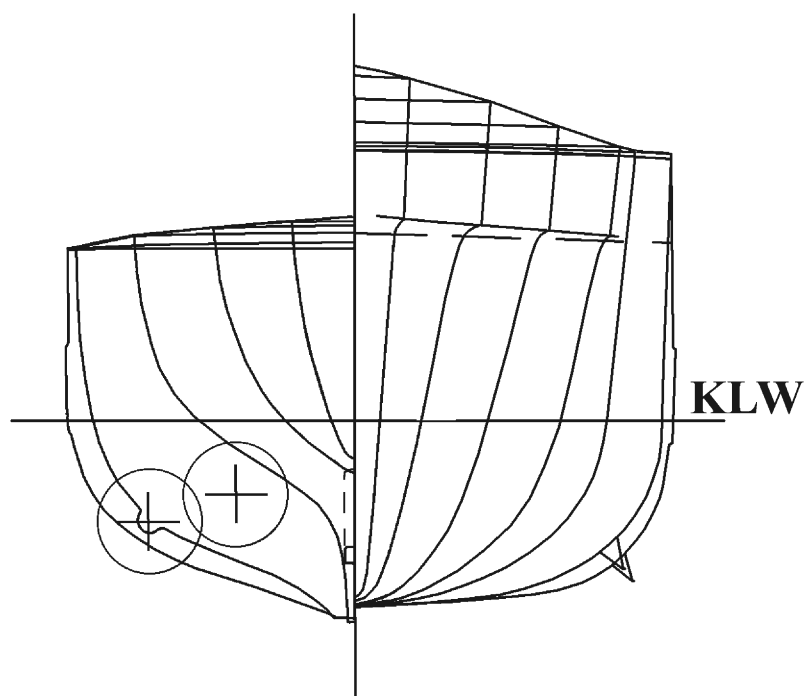


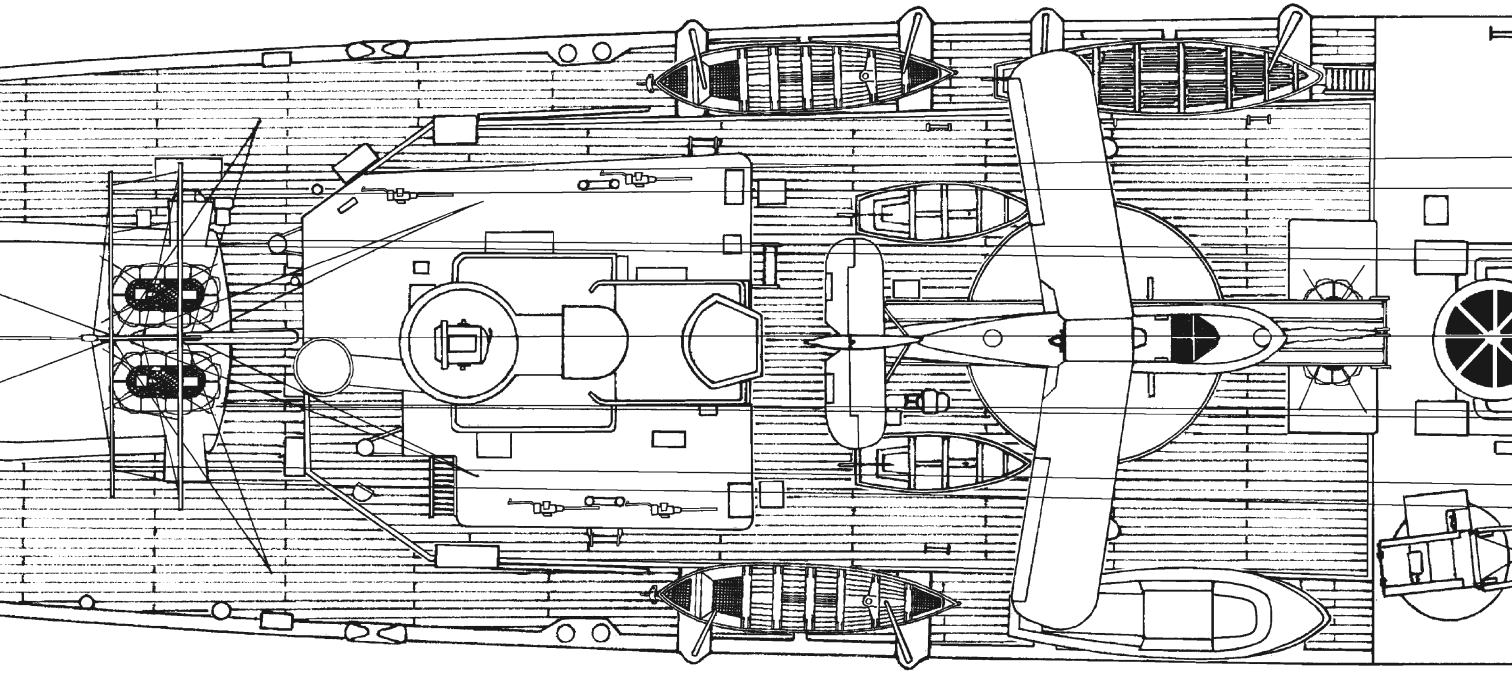
ALL RIGHTS RESERVED

No part of this publication may be reproduced, stored in retrieval system or transmitted in any form by any means electrical, mechanical or otherwise, without first seeking the written permission of the copyright owner.

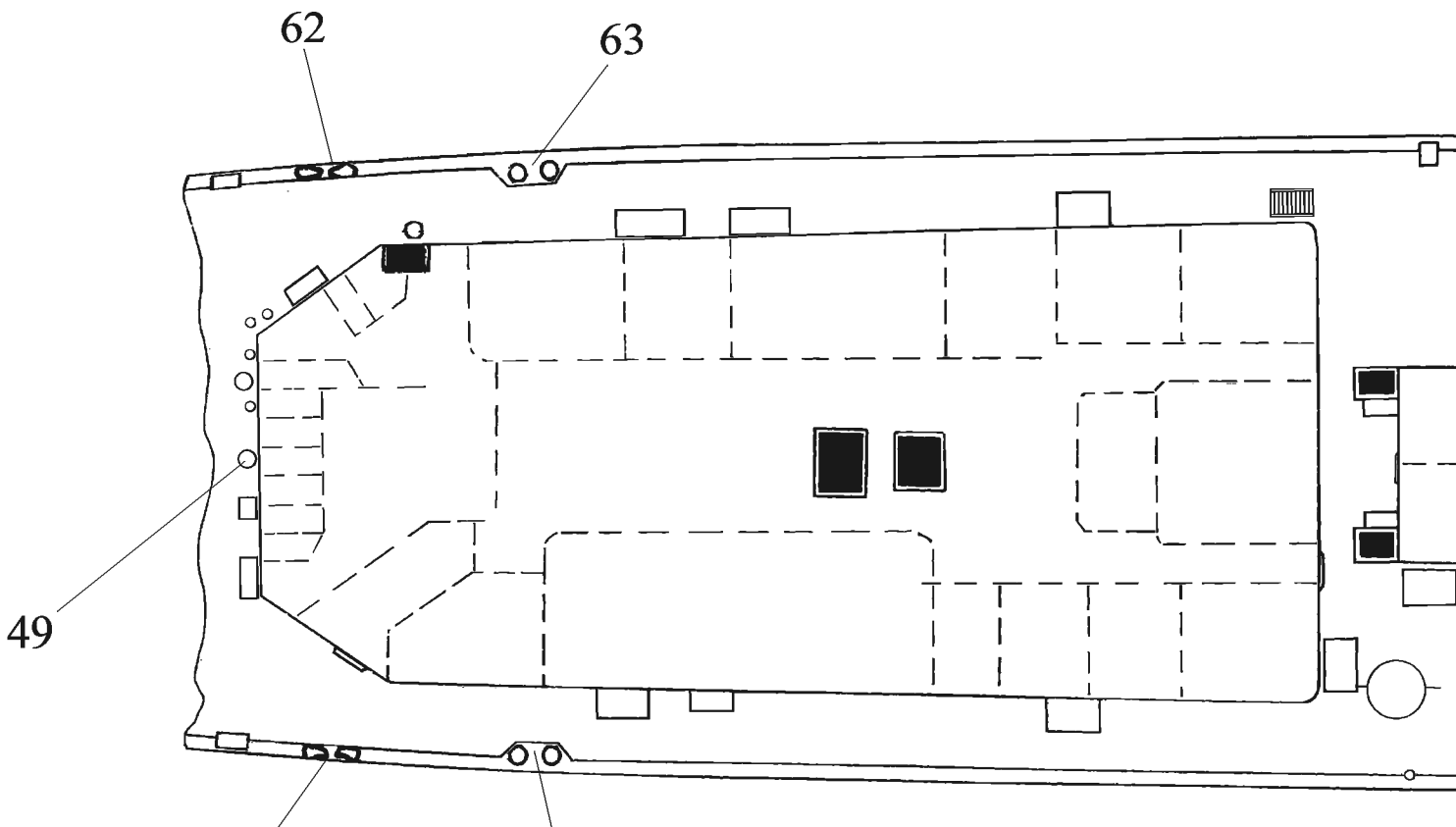
Copyright © by

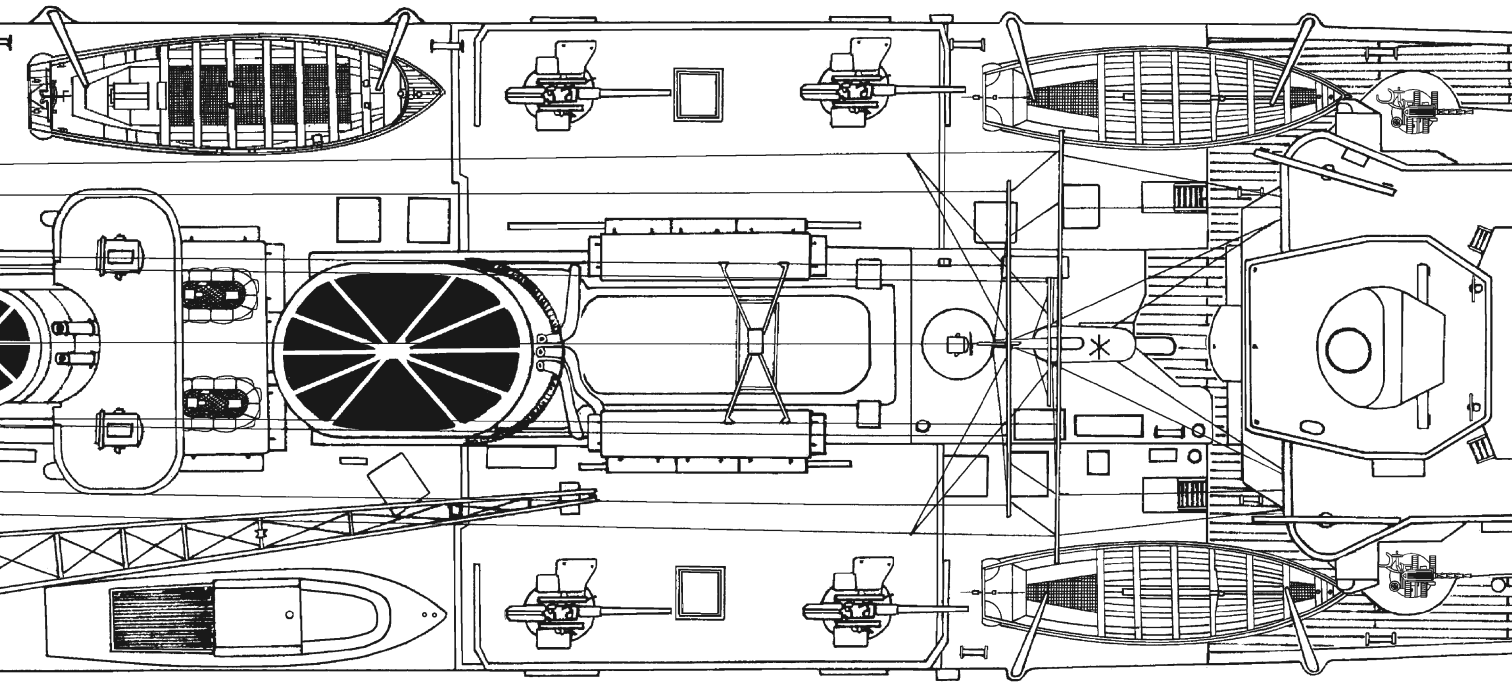
**FIRMA WYDAWNICZO-HANDLOWA BS
POLAND**





HMS YORK

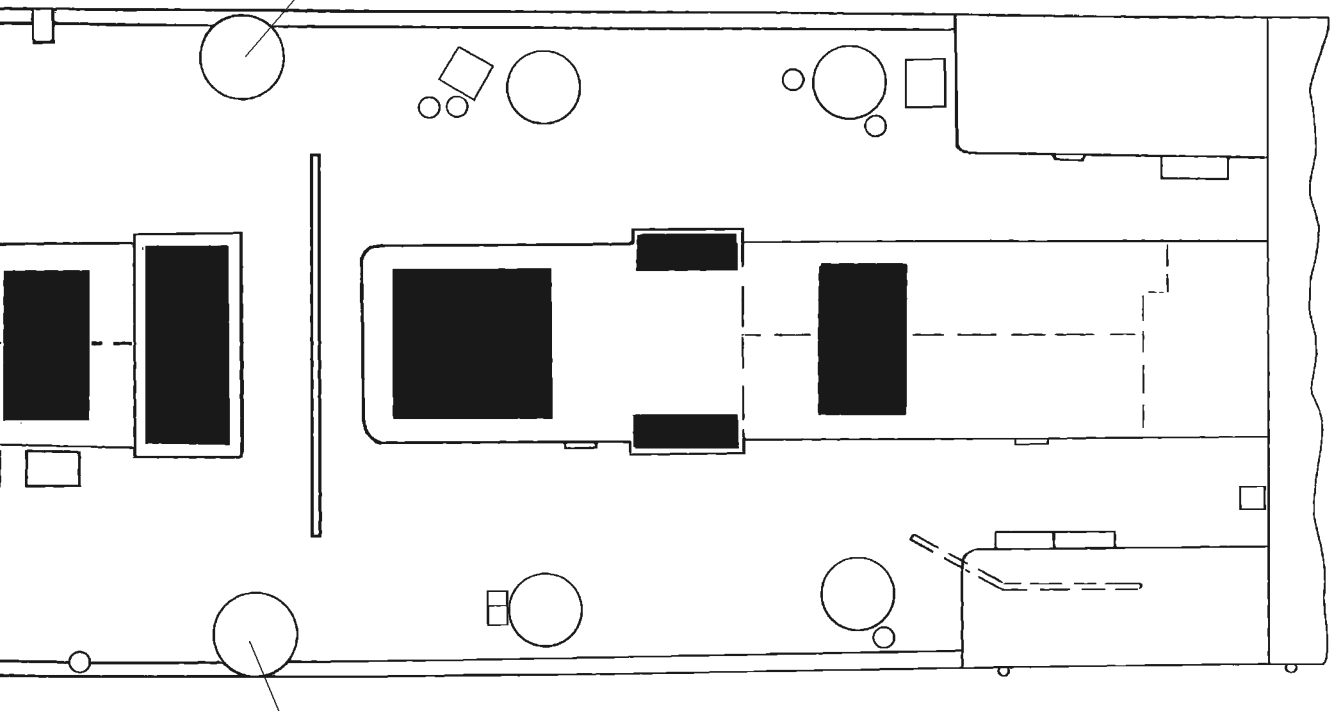


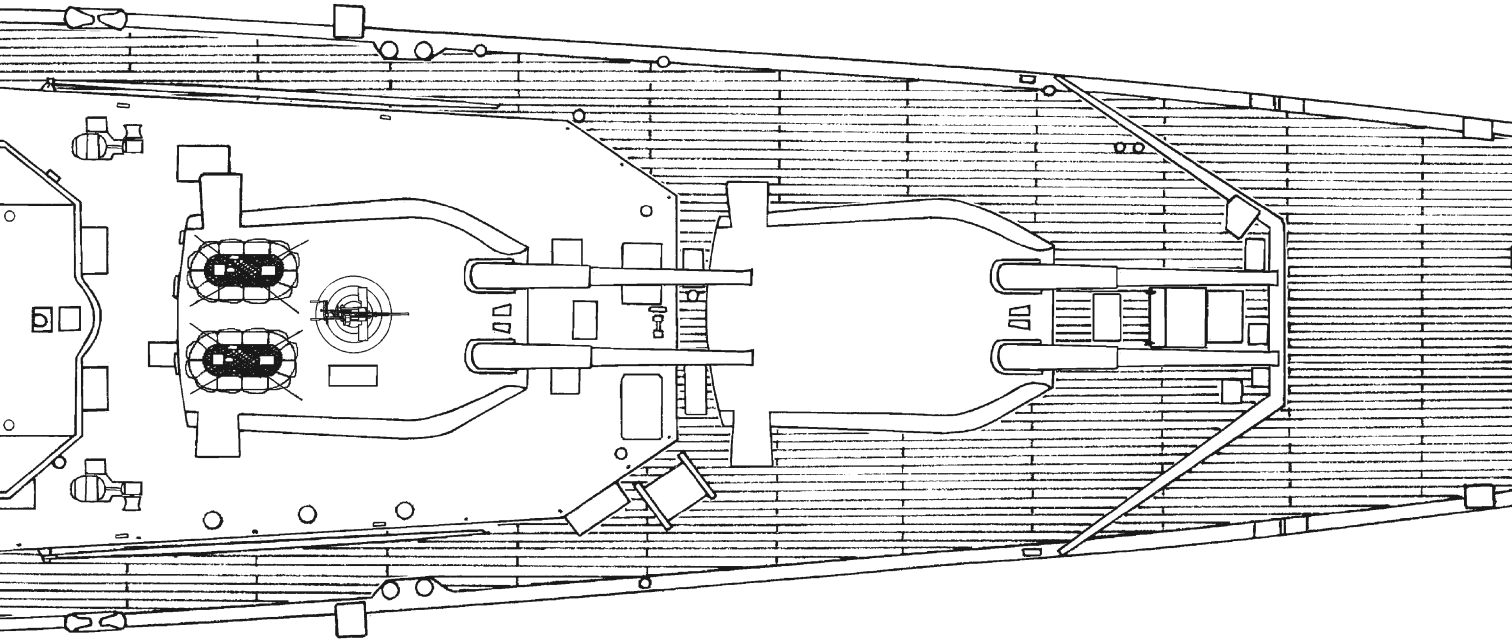


(1941)

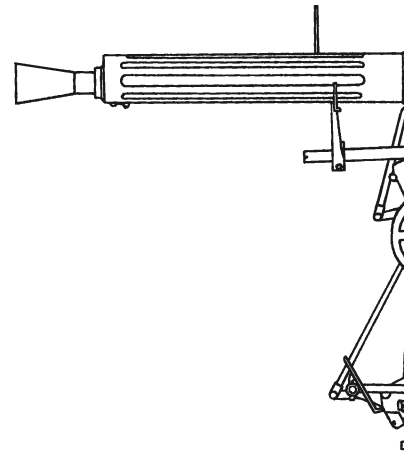
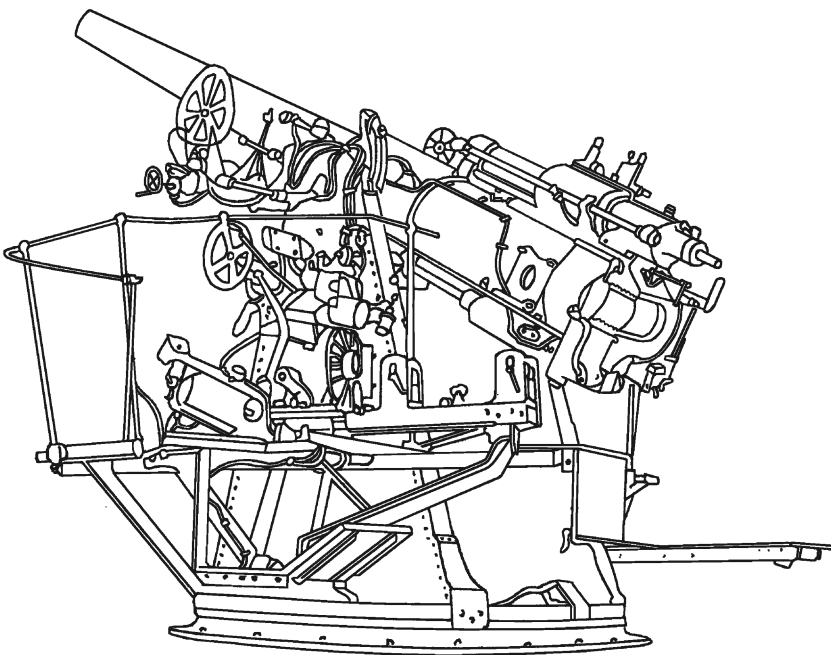
1:200

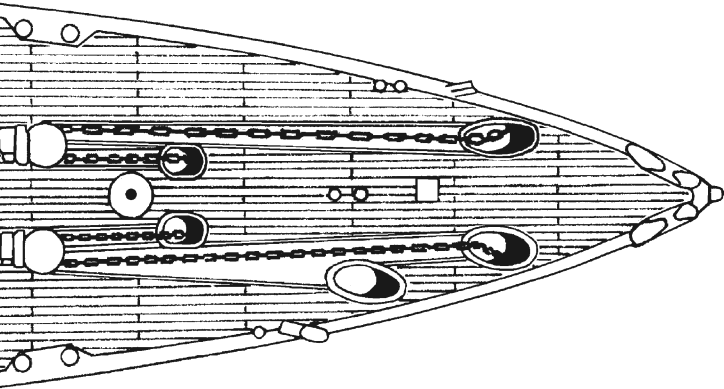
32





**This plans are supplementing the PROFILE MORSKIE
publication No. 3 (HMS YORK)**





Join to us on facebook:

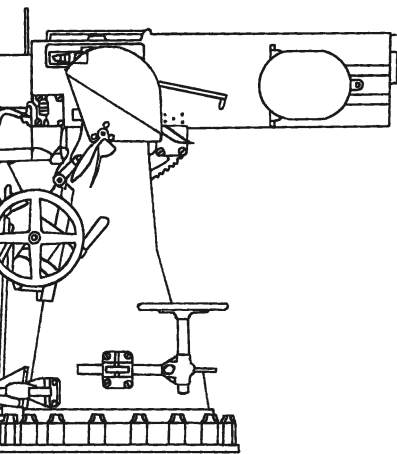
<https://www.facebook.com/blueprintsofwarships/>

These plans are free, but ...

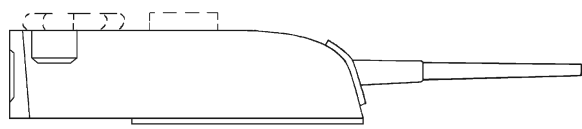
If You want buy more our plans (1/350, 1/200, 1/192, 1/144, 1/100,
1/96 or 1/72 scale) You can use the active link below:

https://blueprintsofwarships.com.pl/Profile_1a.htm

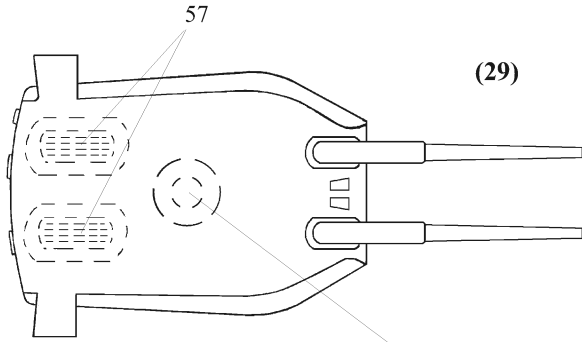
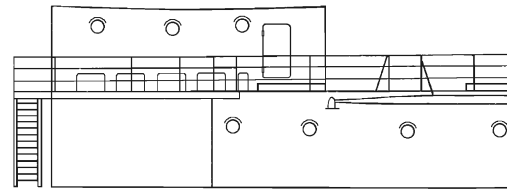
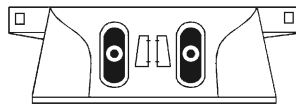
Thanks



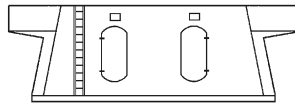
Warships Plans - PROFILE MORSKIE No 03



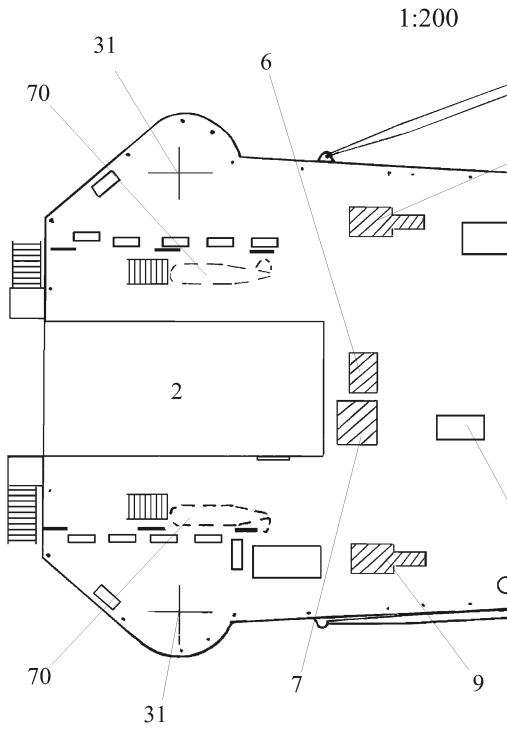
Ai X.



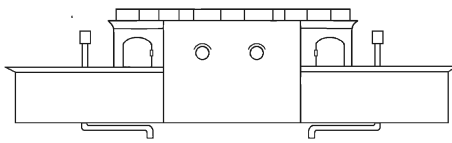
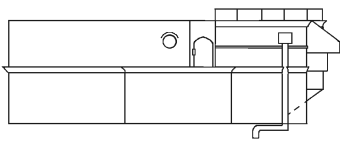
(29)



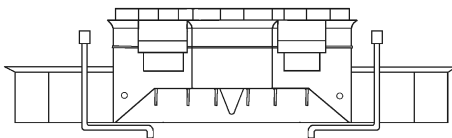
1:200



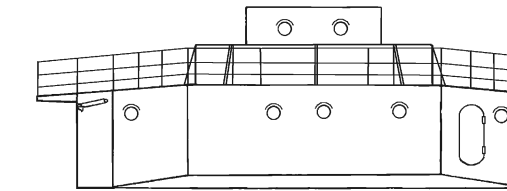
1:200



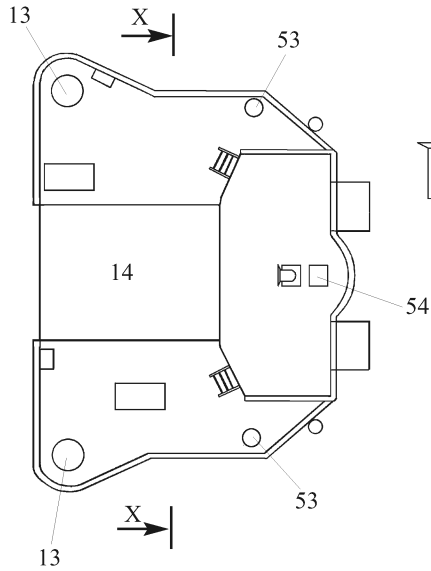
(12)



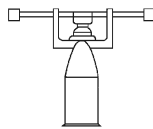
1:200



1:200

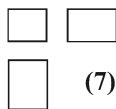
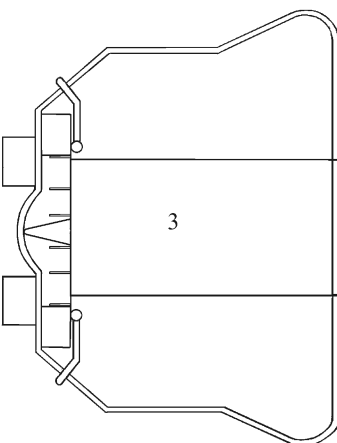
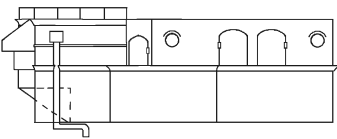
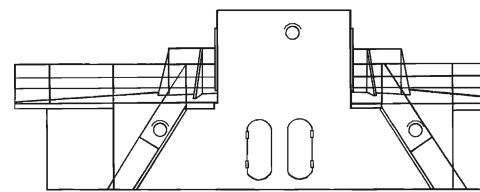


(13)

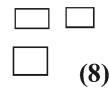


1:200

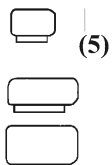
(13)



(7)



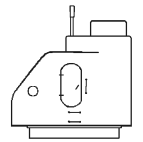
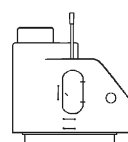
(8)



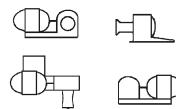
(5)



(6)



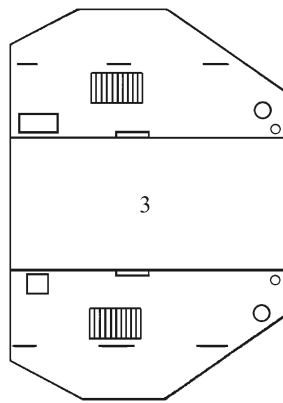
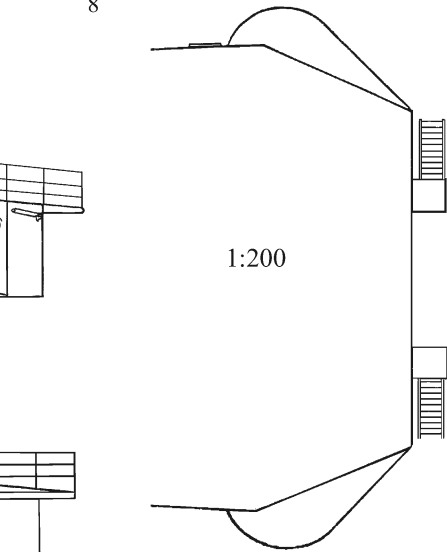
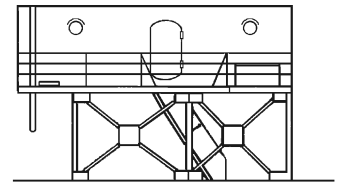
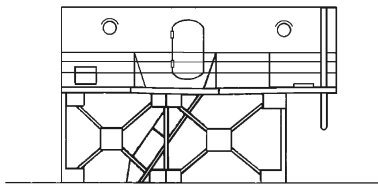
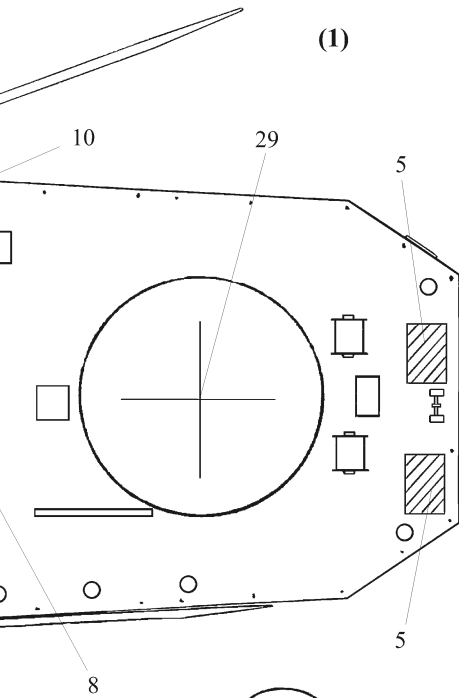
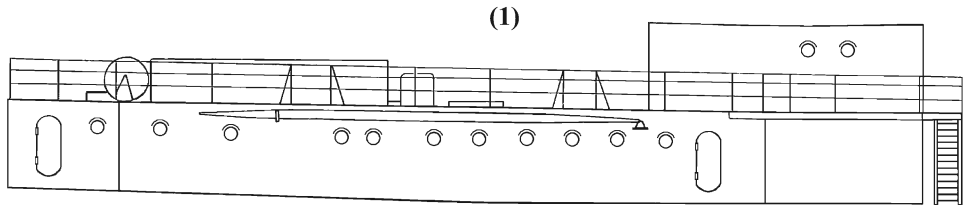
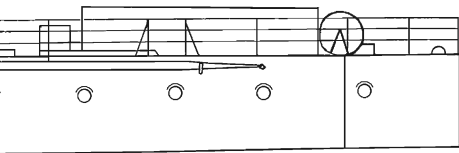
(15)



(9)

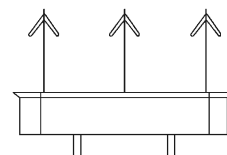
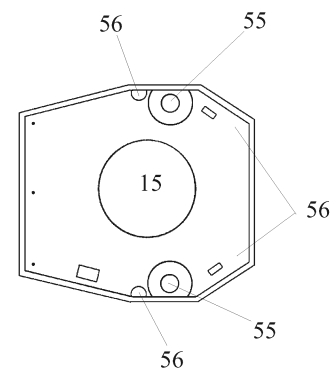
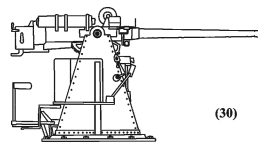
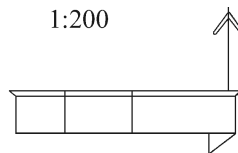
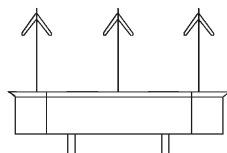
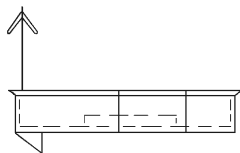
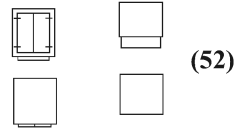
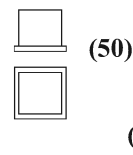
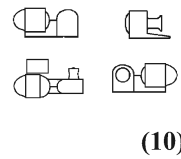
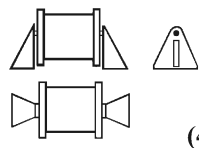
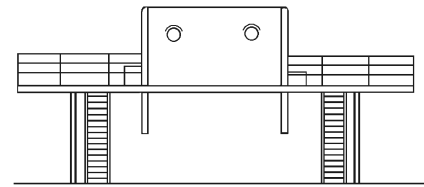
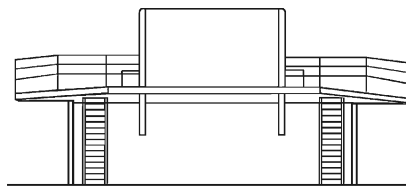
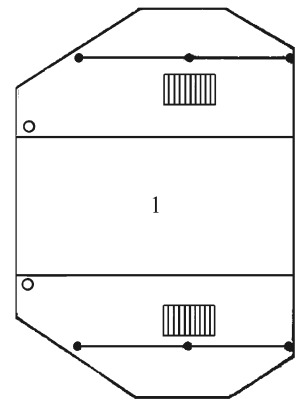
1:200

Warships Plans - PROFILE MORSKIE No 03

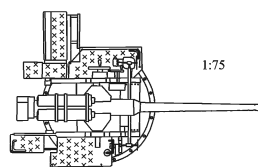
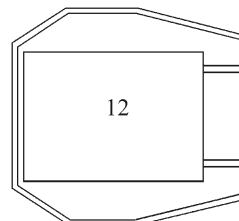


(2)

1:200

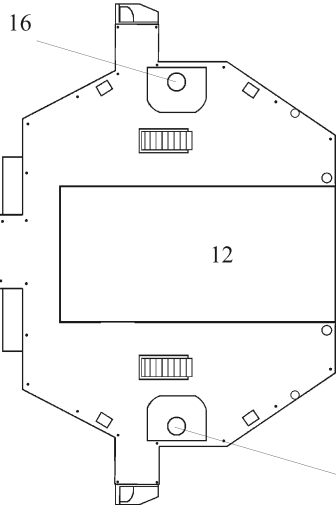
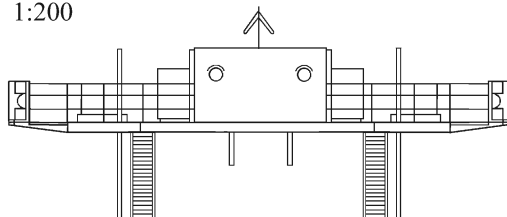
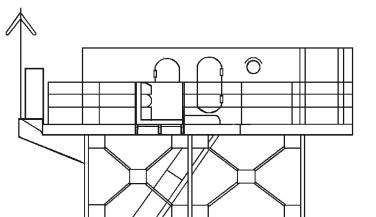


(14)

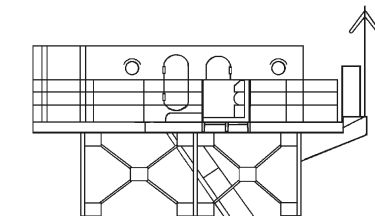
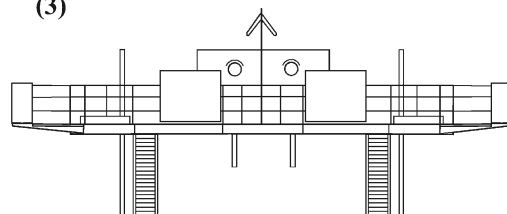


Warships Plans - PROFILE MORSKIE No 03

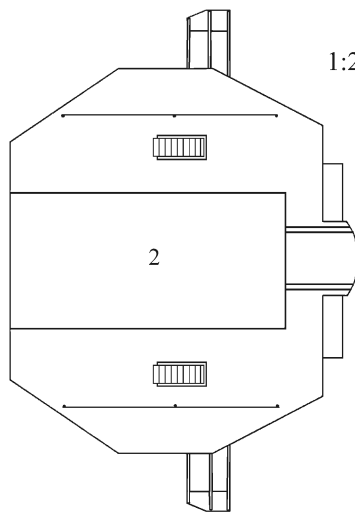
1:200



(3)

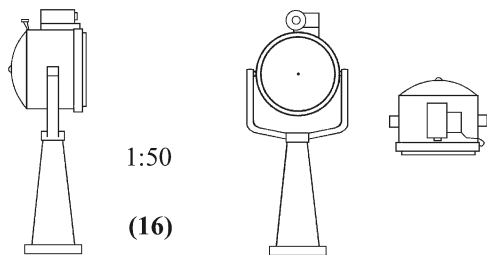


1:200



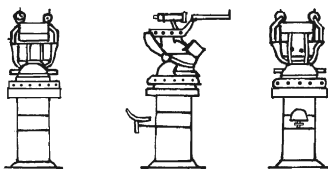
1:50

(16)



(53)

1:100

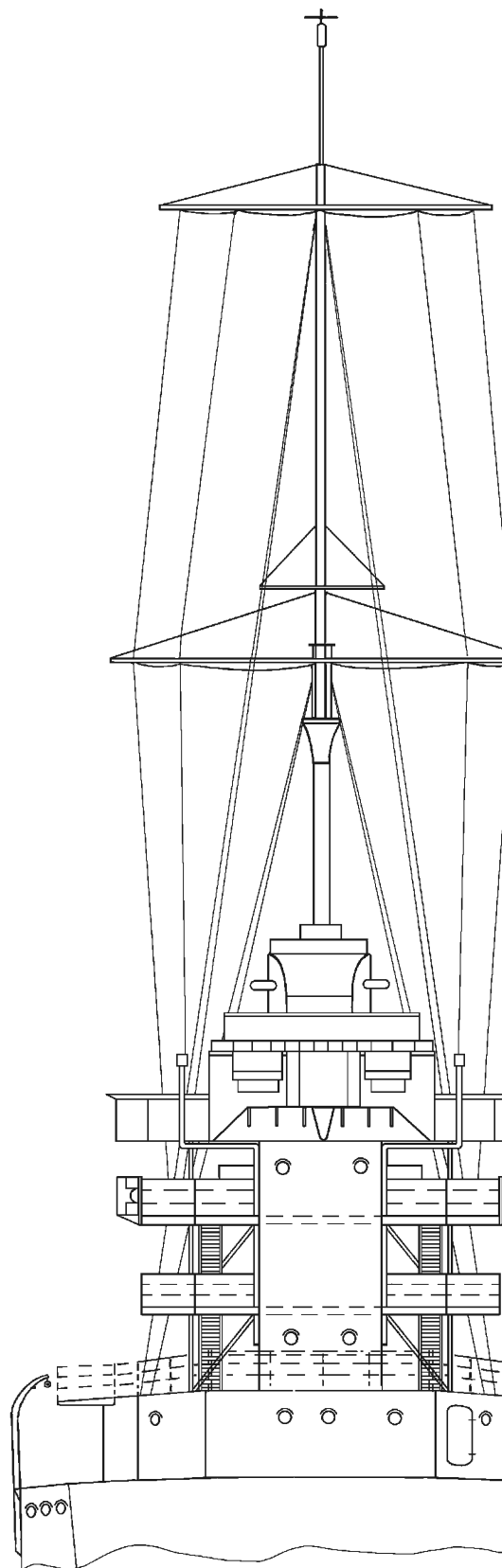
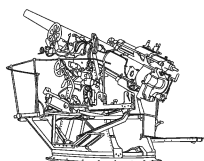
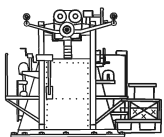


(54)

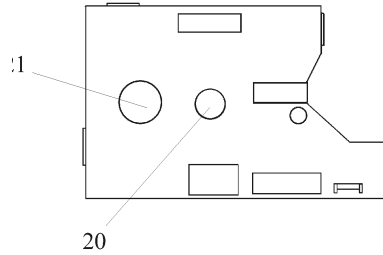
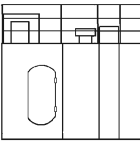
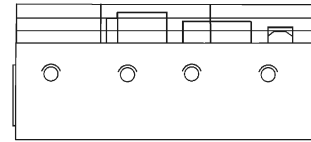
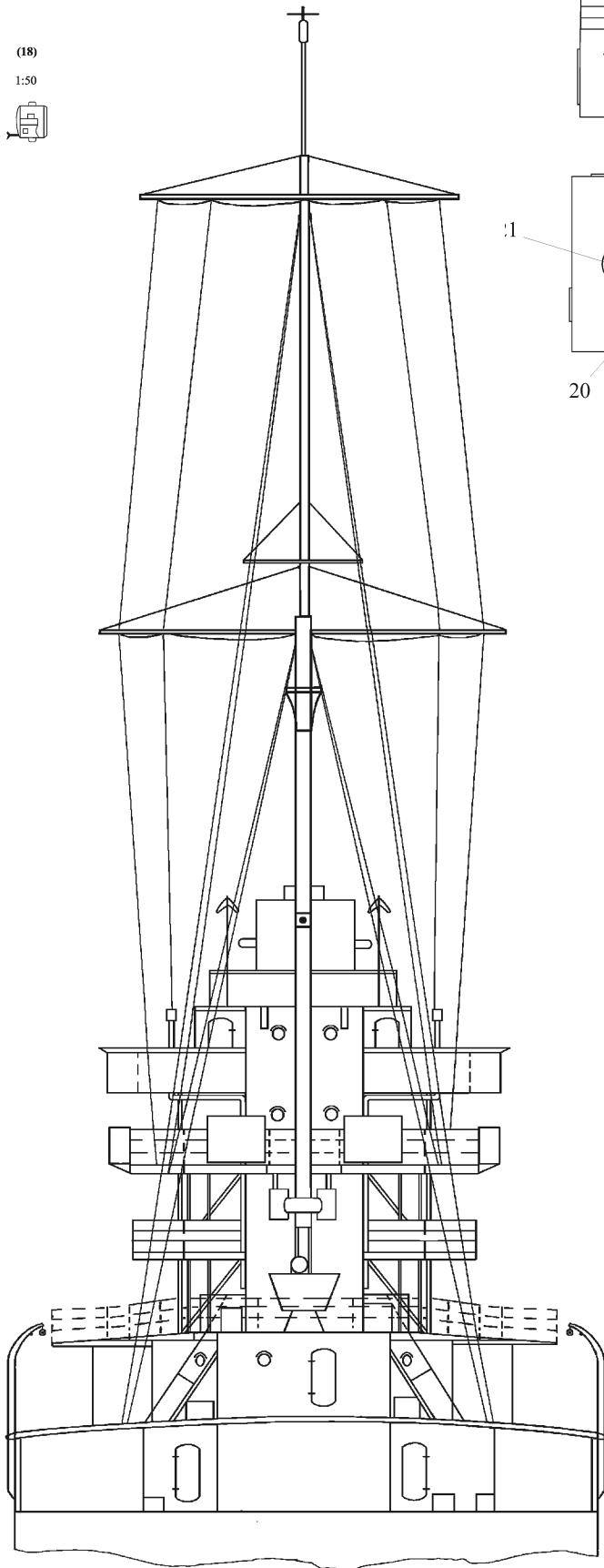
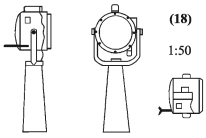


(55)

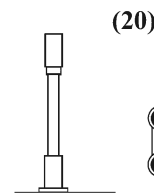
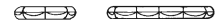
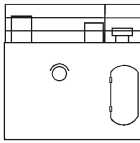
1:100



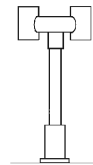
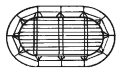
Widok A.



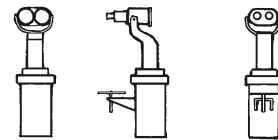
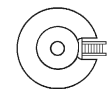
(19)



(57)

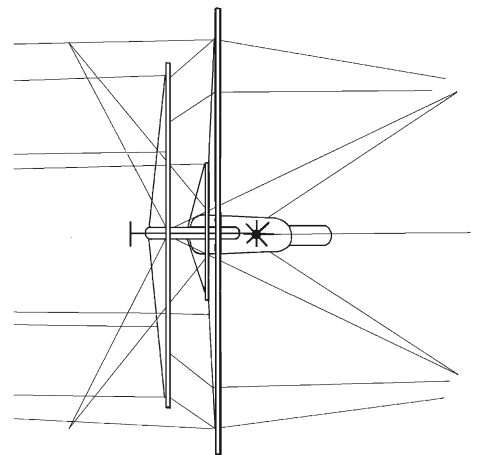


(21)



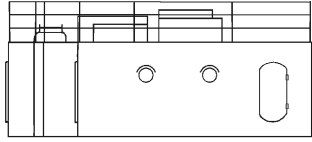
(56)

1:100



(17)

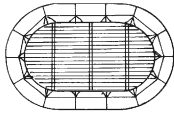
Widok B.



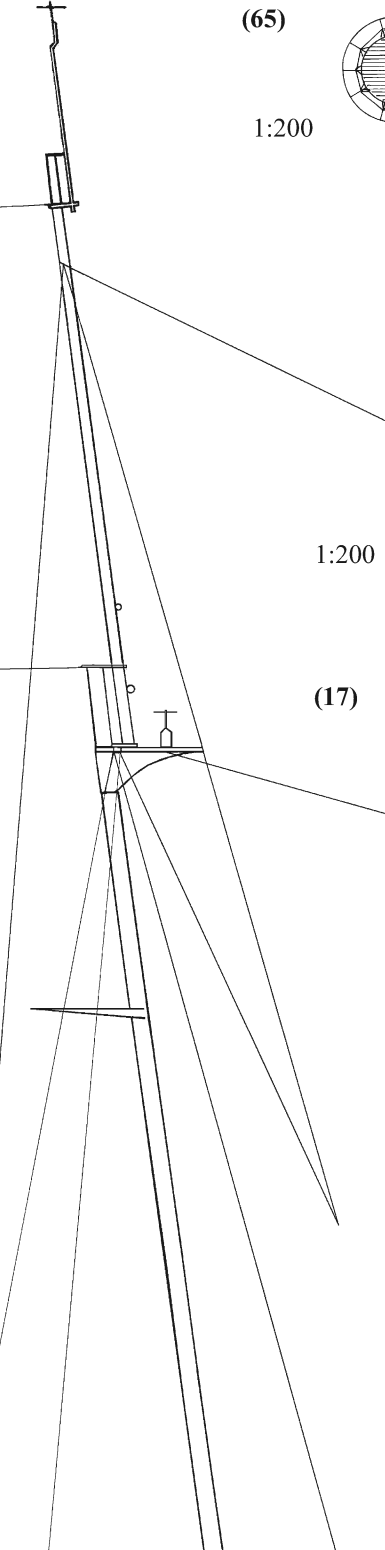
1:200



(65)

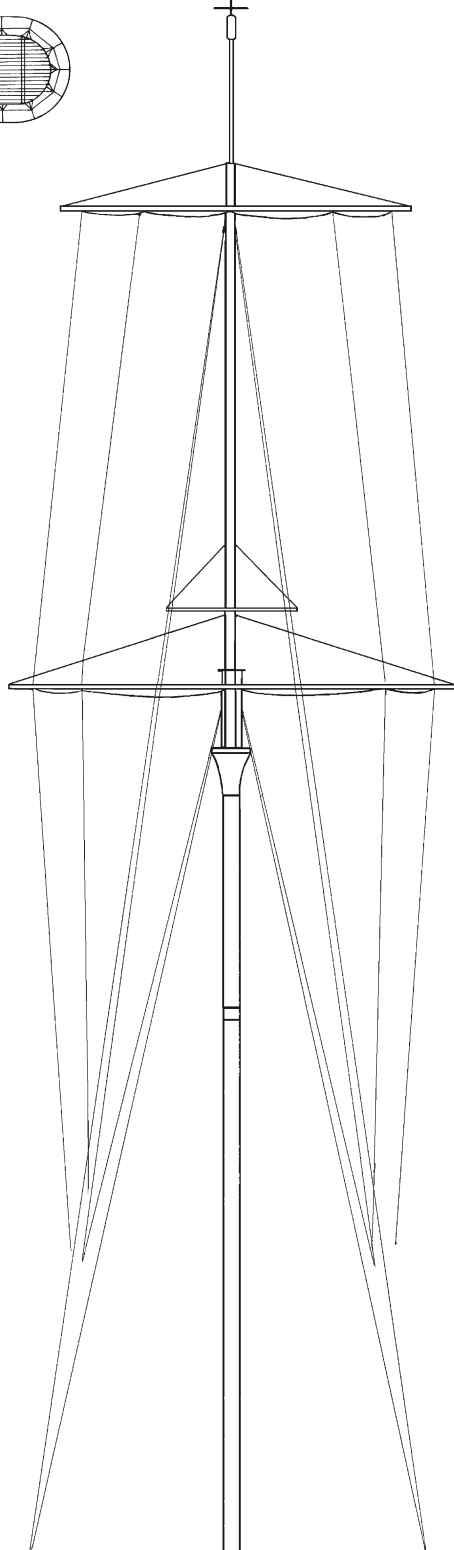


1:200



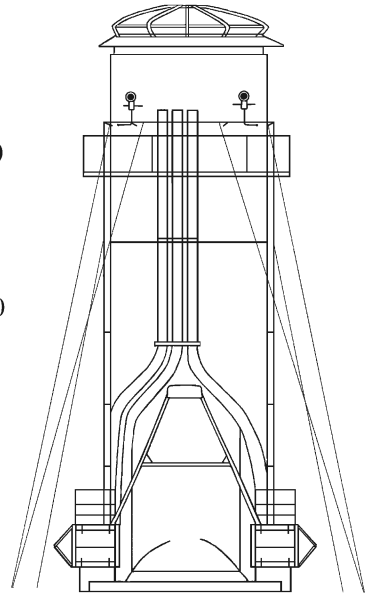
1:200

(17)

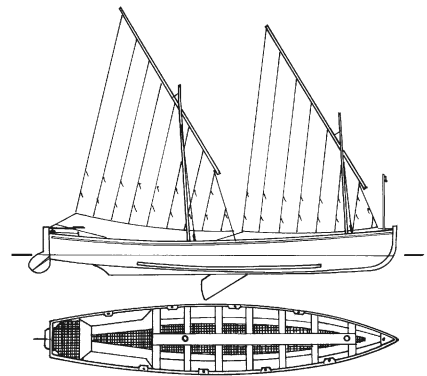
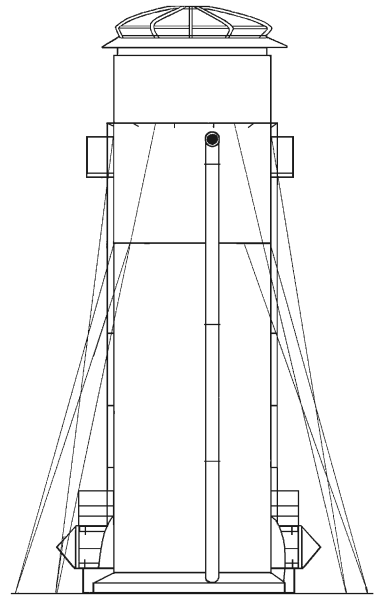


(24)

1:200

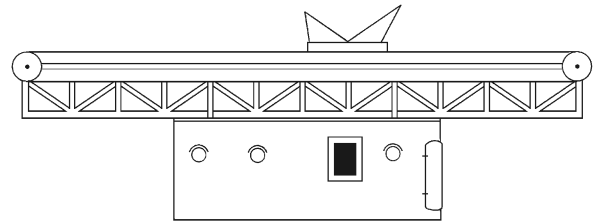
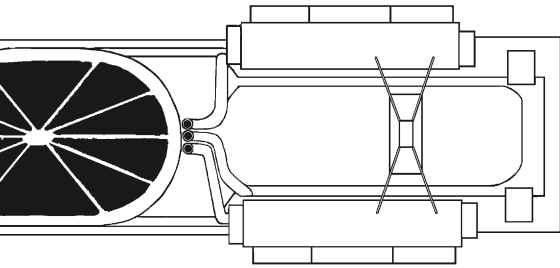
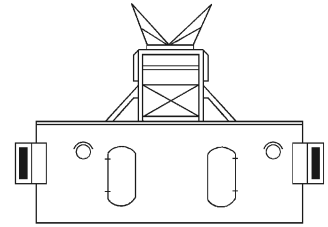
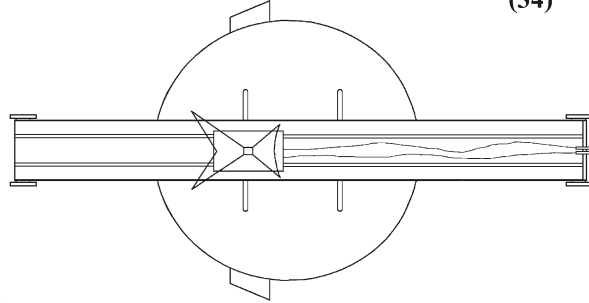
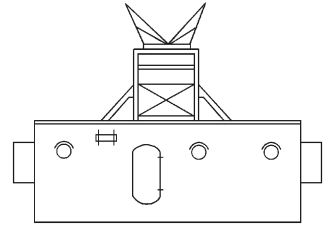
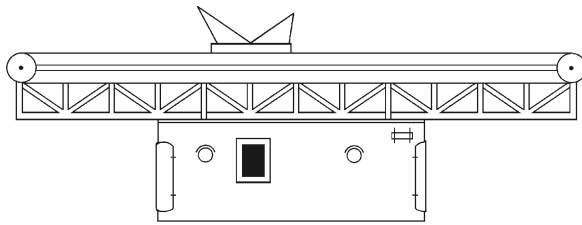
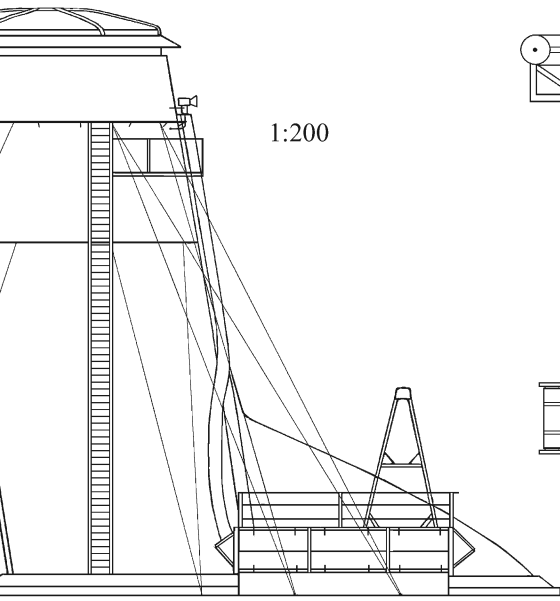


(24)

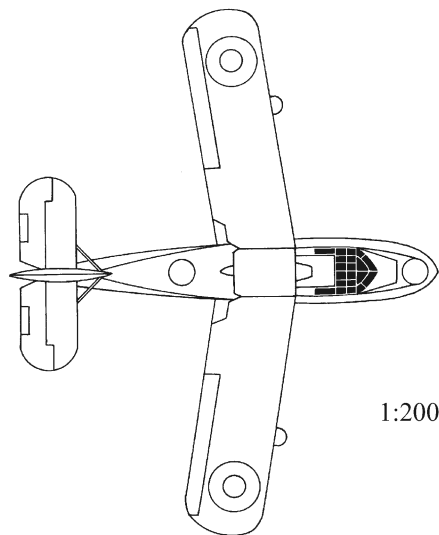
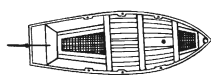
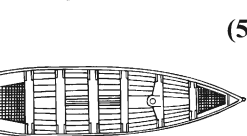
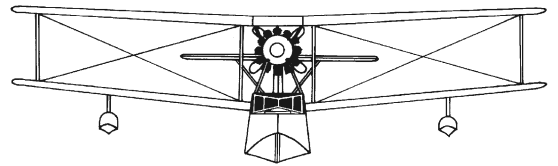
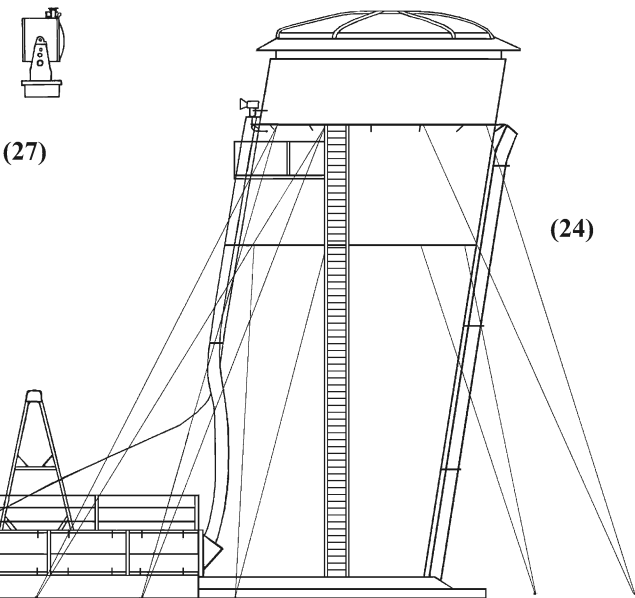
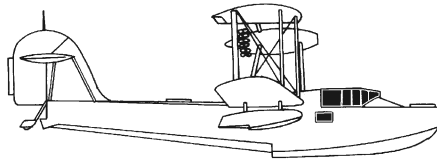


(60)

1:200

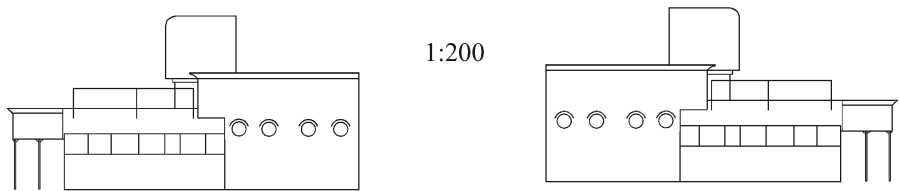


(66)

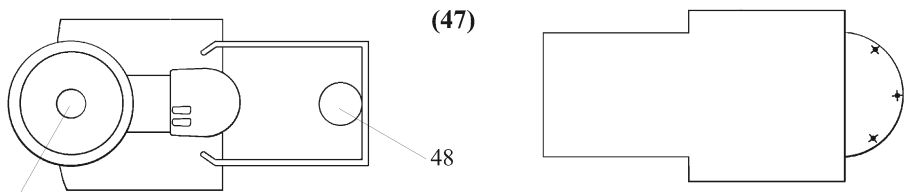


1:200

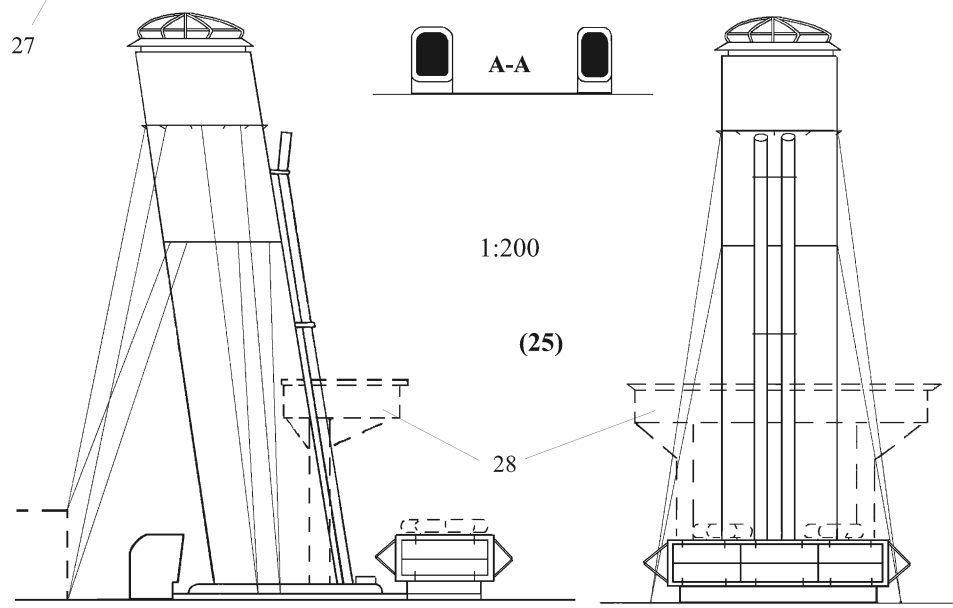
Warships Plans - PROFILE MORSKIE No 03



1:200

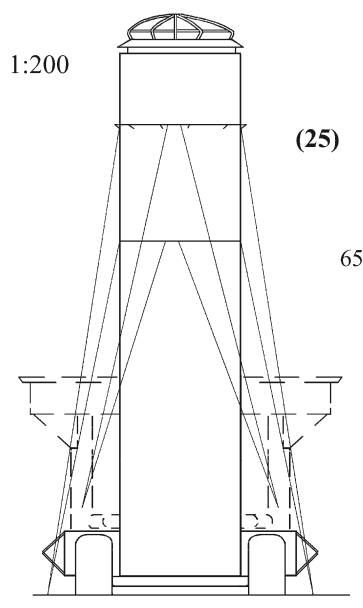
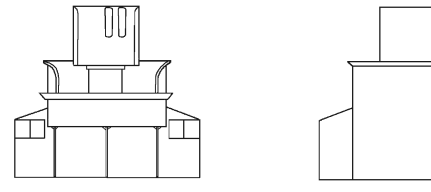


(47)



1:200

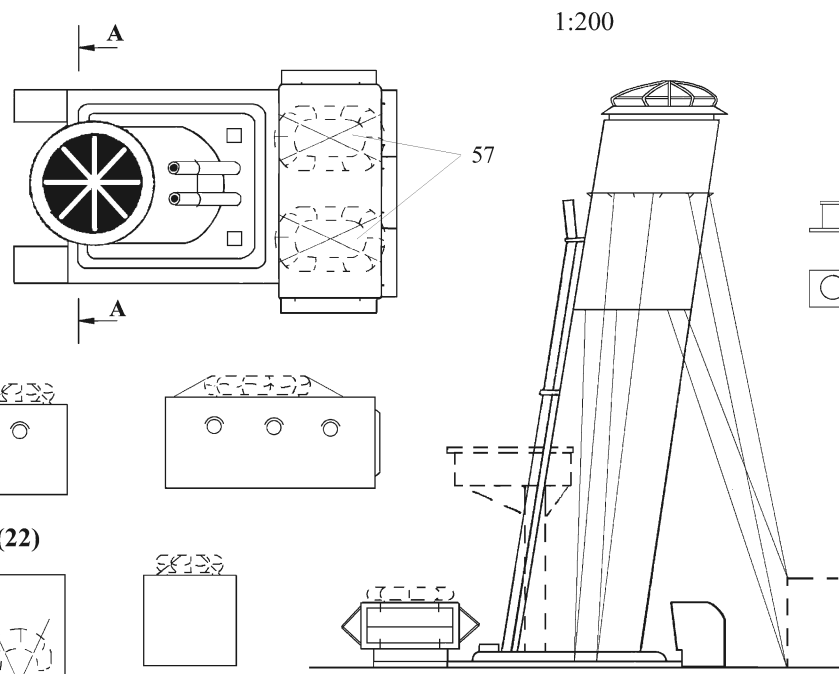
(25)



1:200

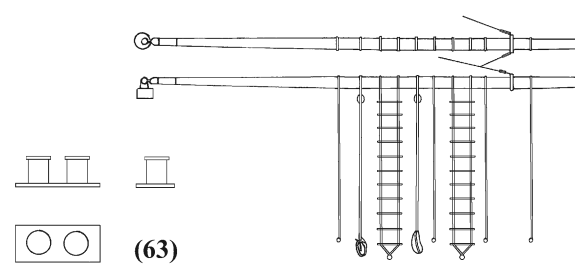
(25)

65



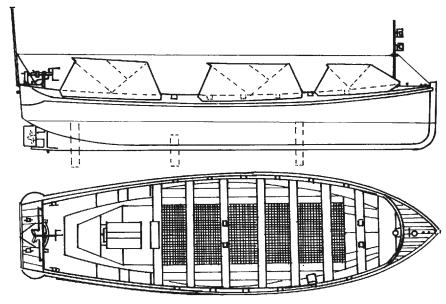
1:200

57

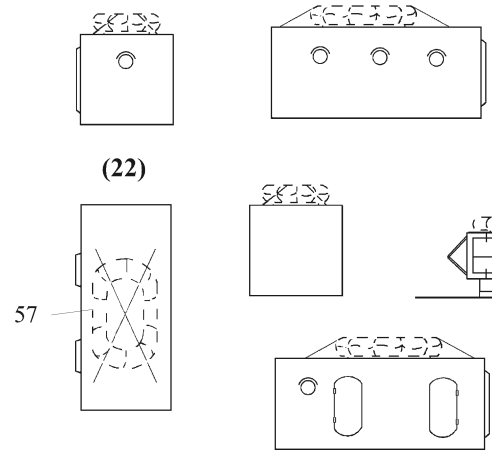


(63)

1:200

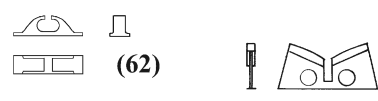


(61)

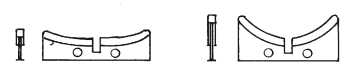


(22)

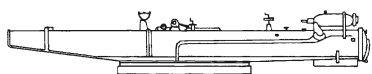
57



(62)

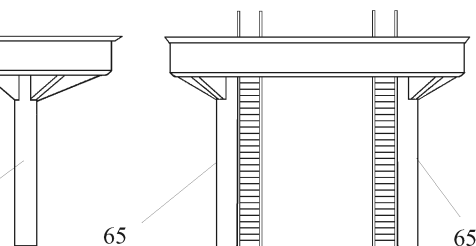
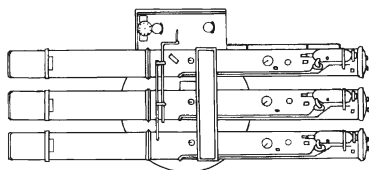


HMS



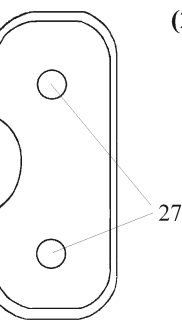
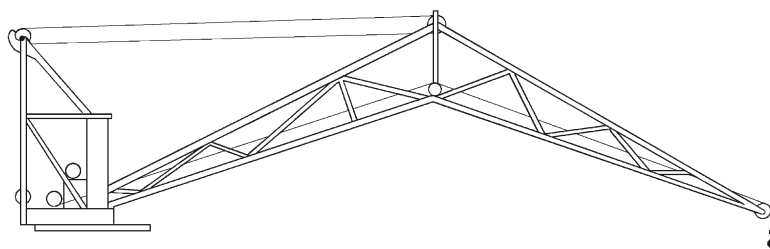
1:200

(32)



65

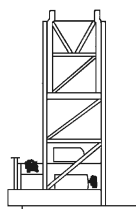
65



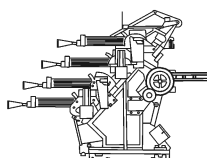
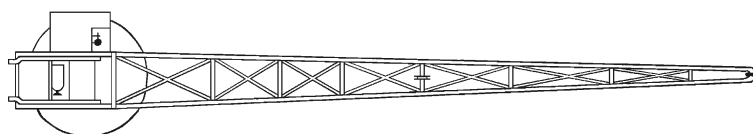
(28)

27

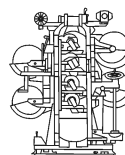
1:200



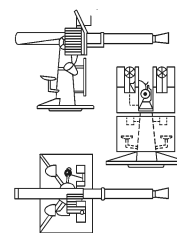
(35)



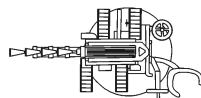
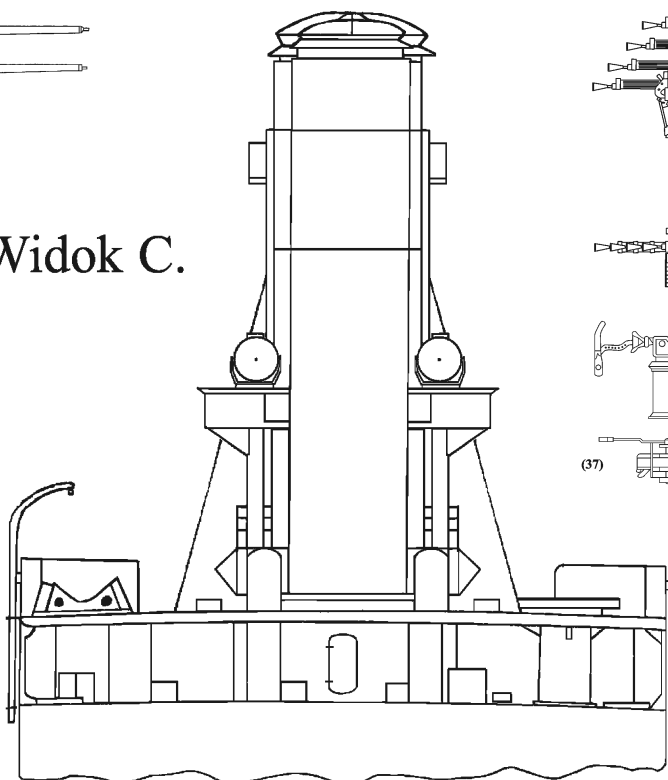
(31)



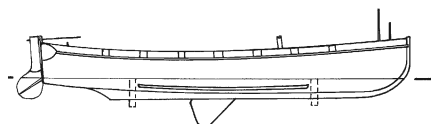
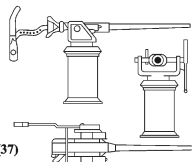
1:100



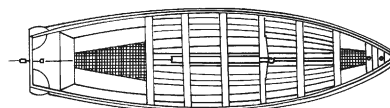
Widok C.



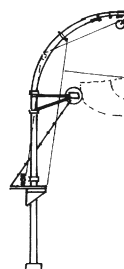
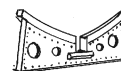
(37)



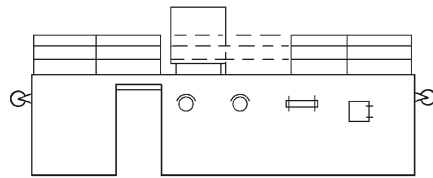
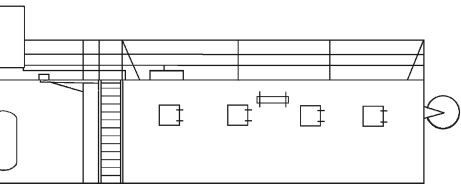
1:200



(68)

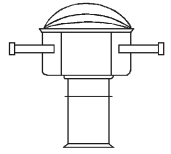
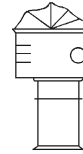


YORK (1941)

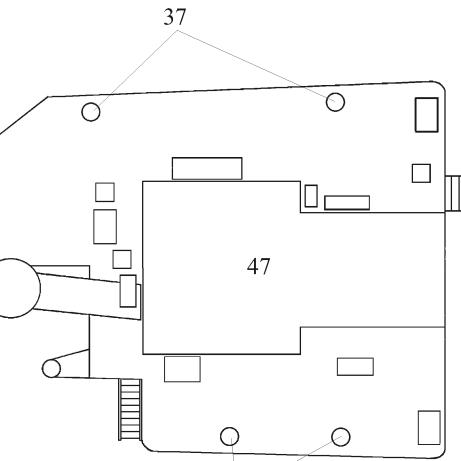


1:200

(46)

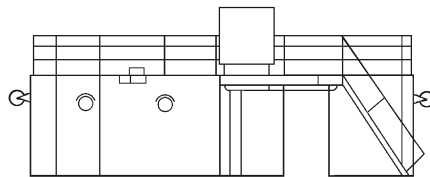


(48)

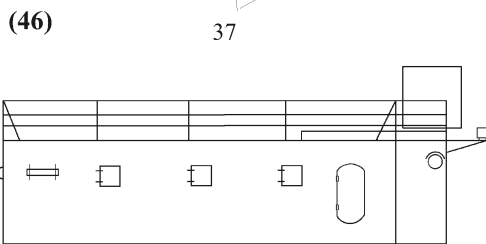
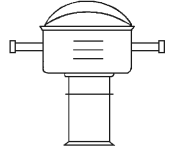
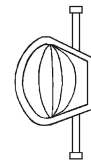


37

47

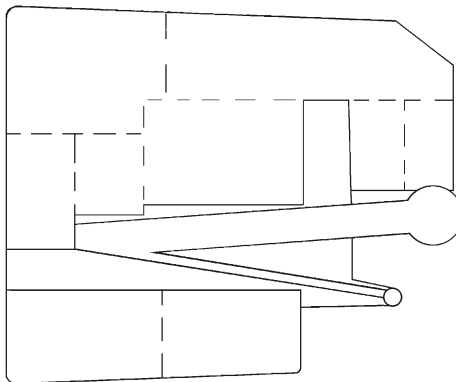


1:200

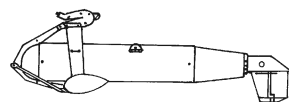


(46)

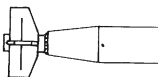
37



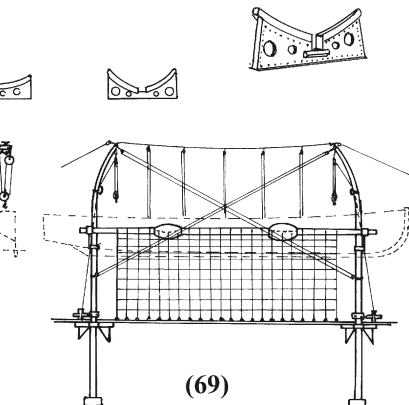
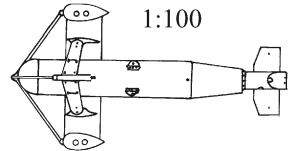
(23)



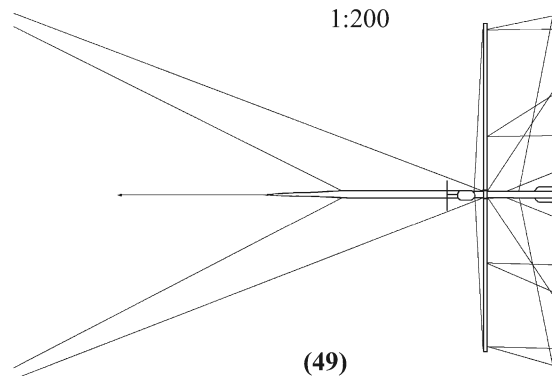
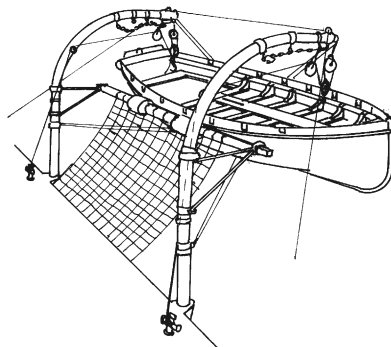
1:100



(70)



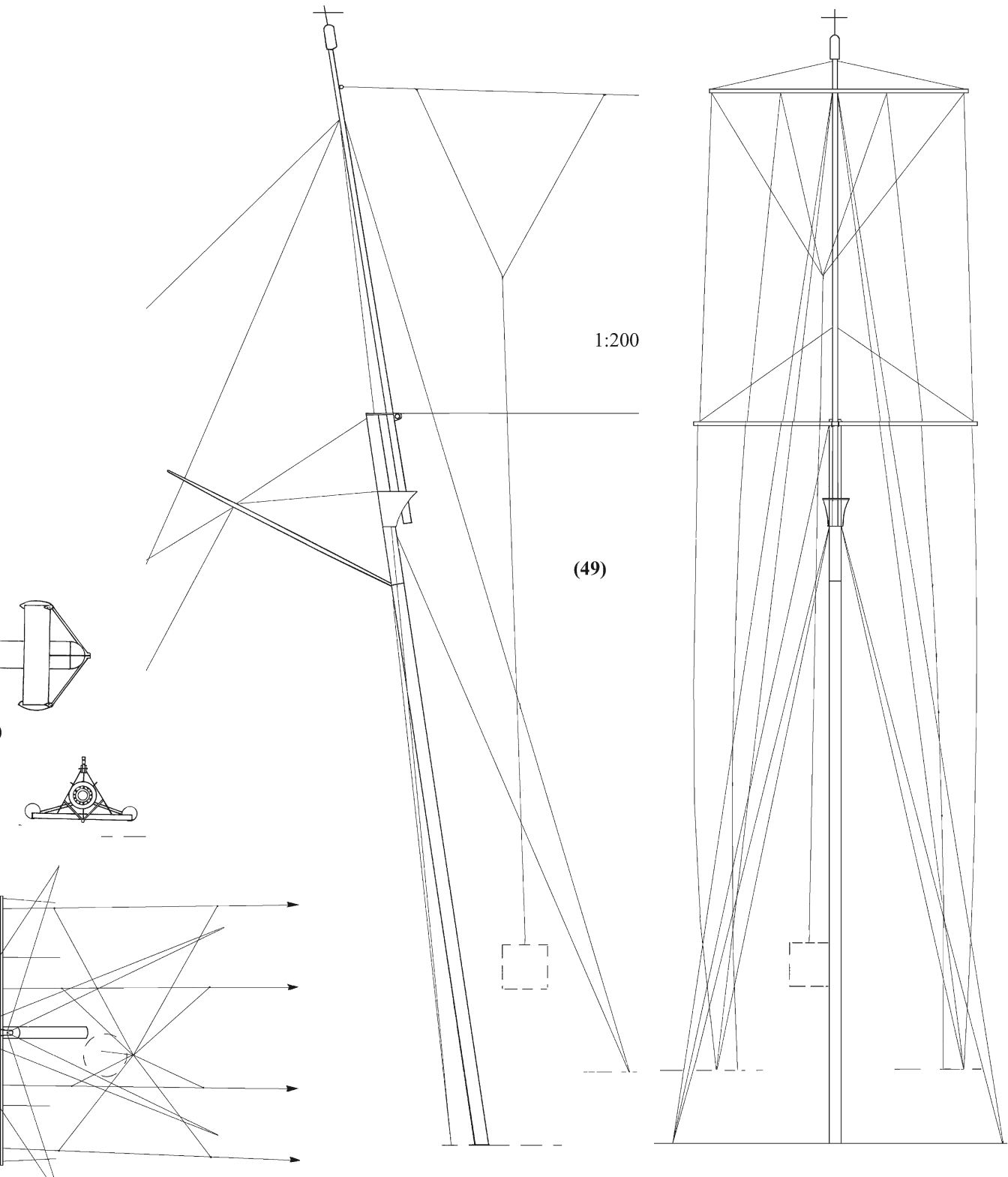
(69)

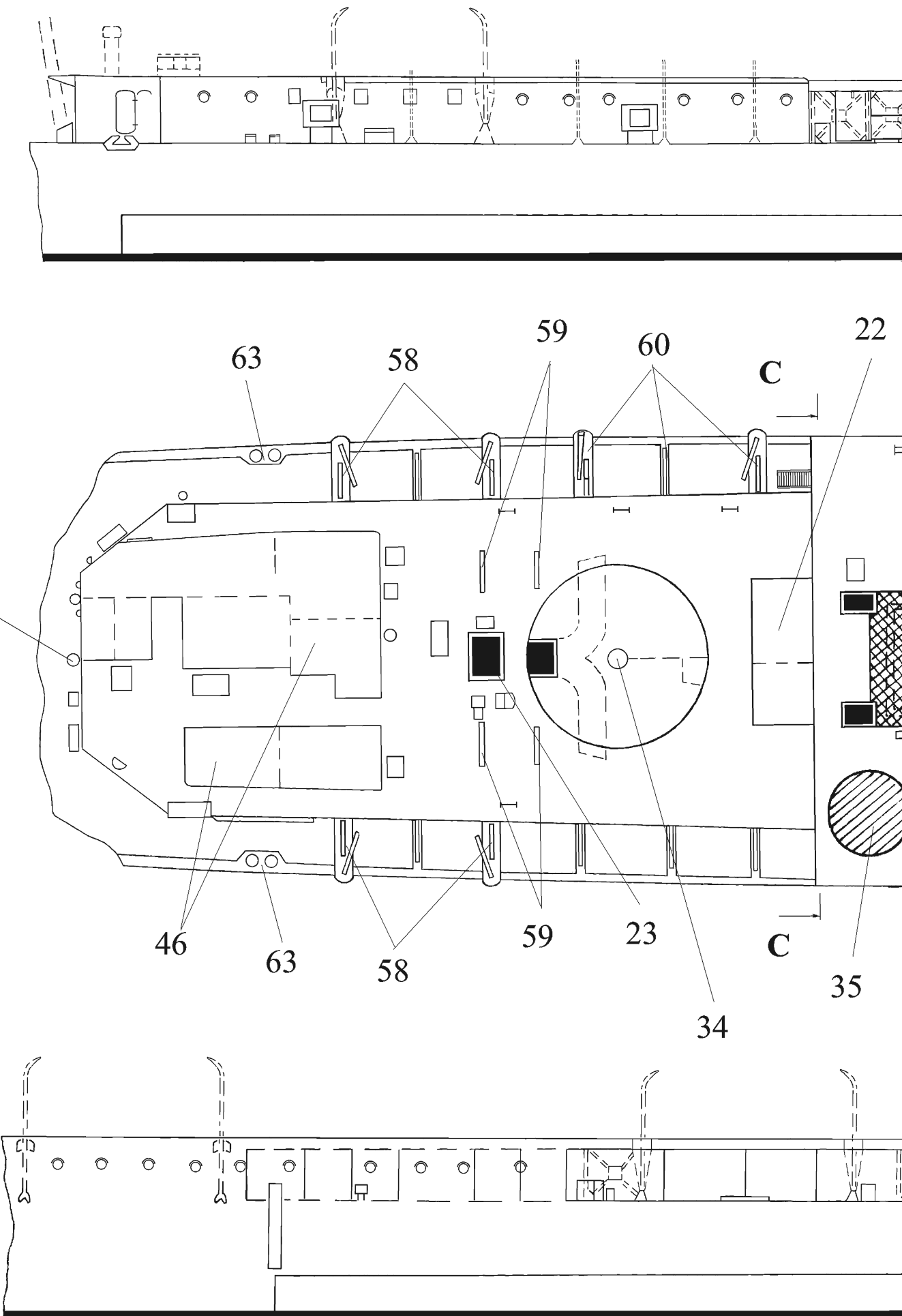


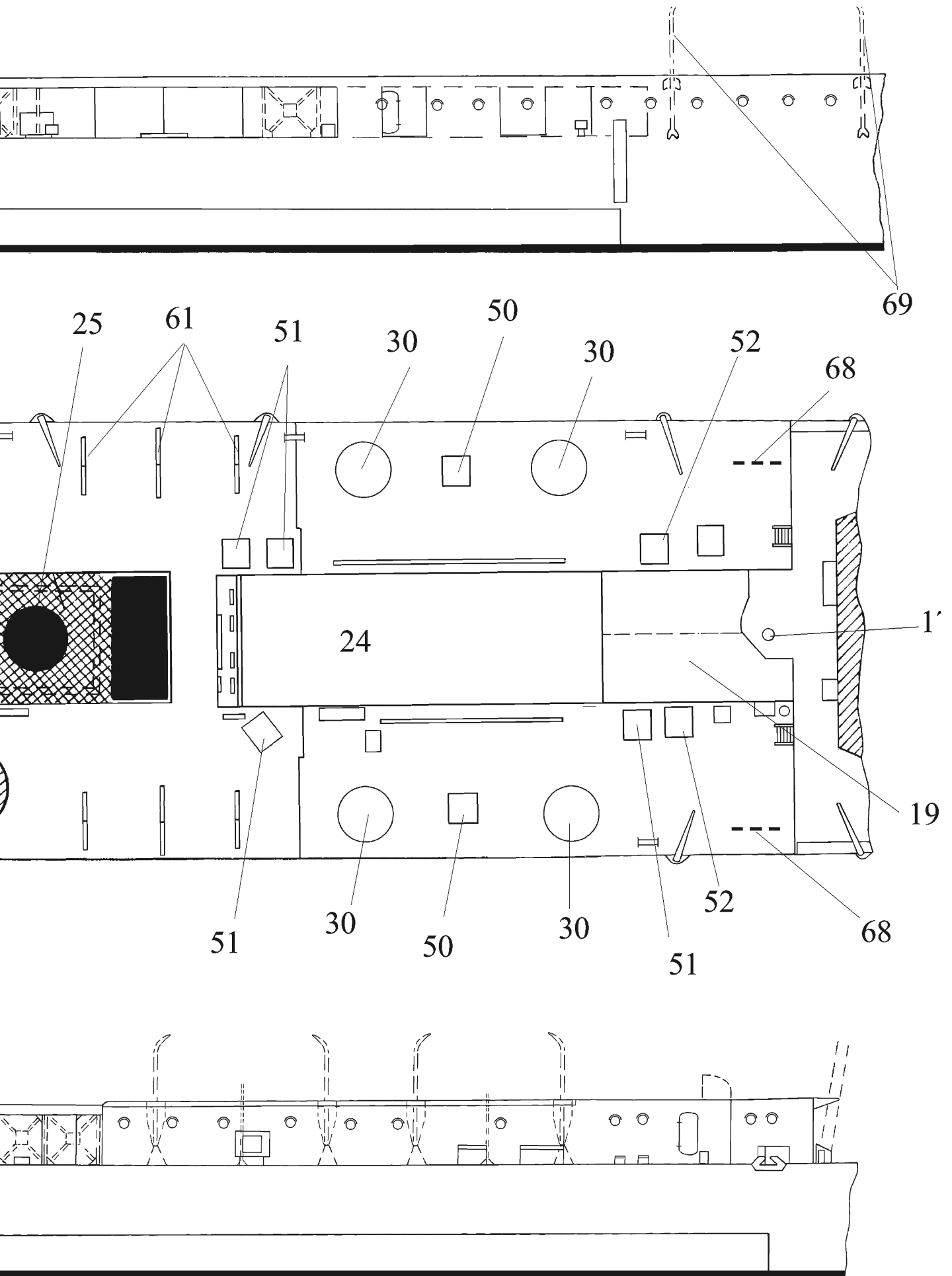
1:200

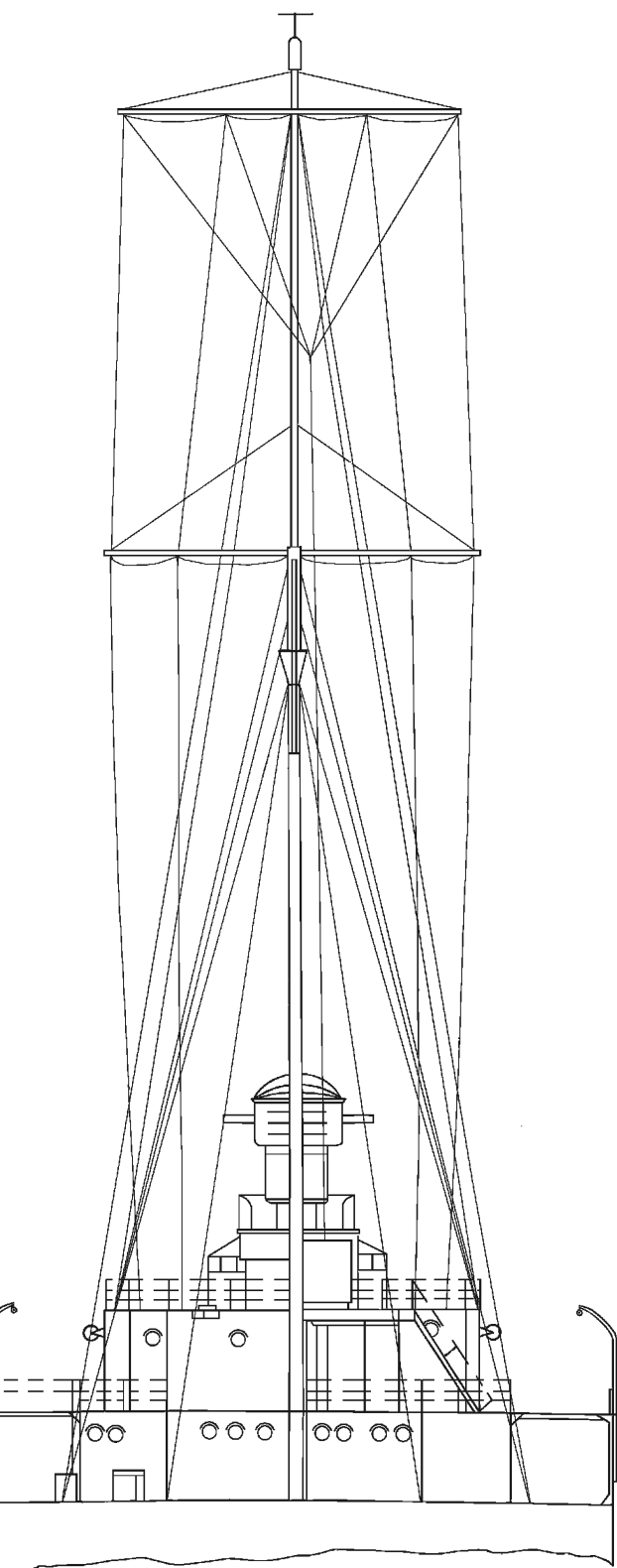
(49)

1:200

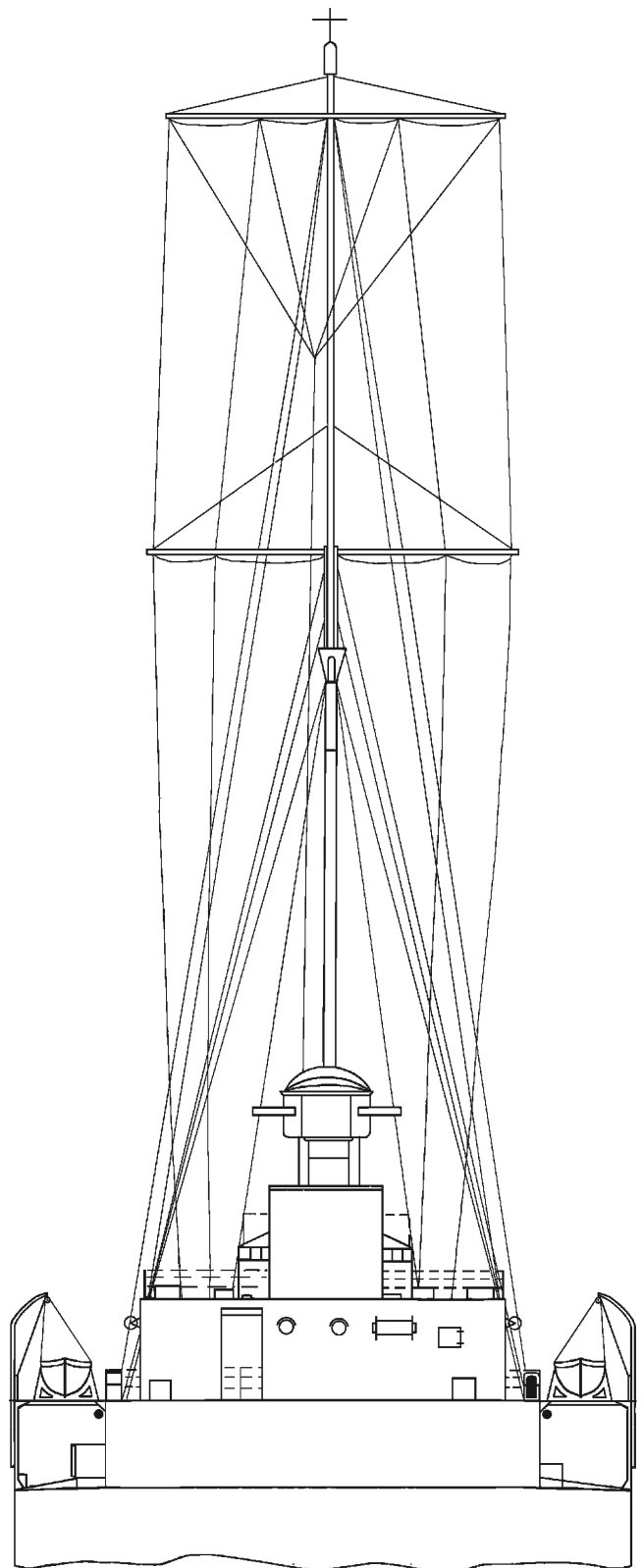








Widok E.



Widok D.

