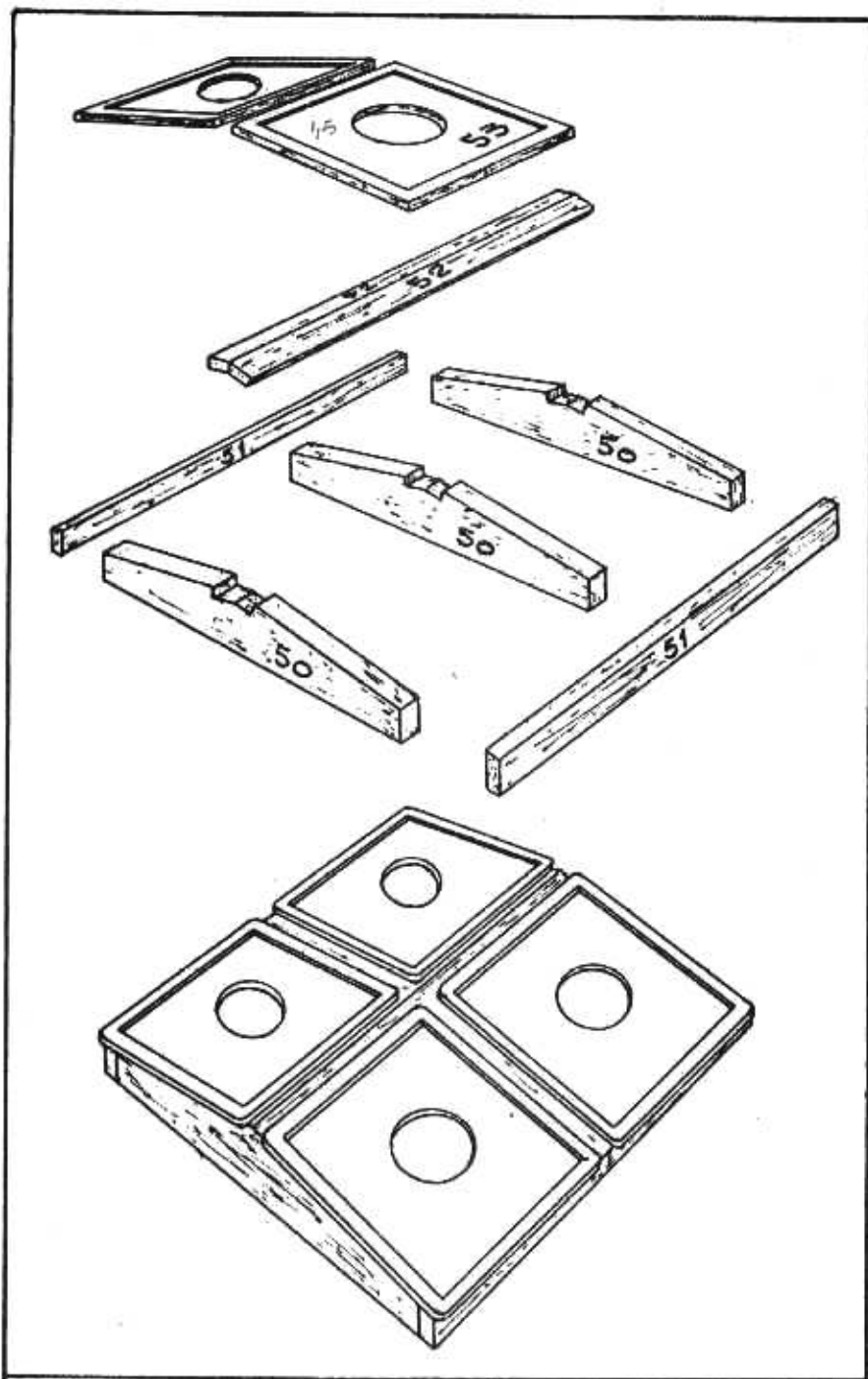


10 CM

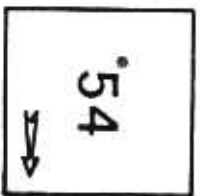
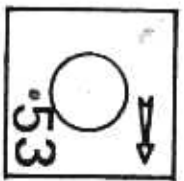
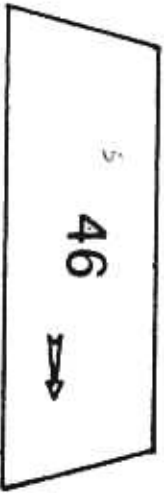
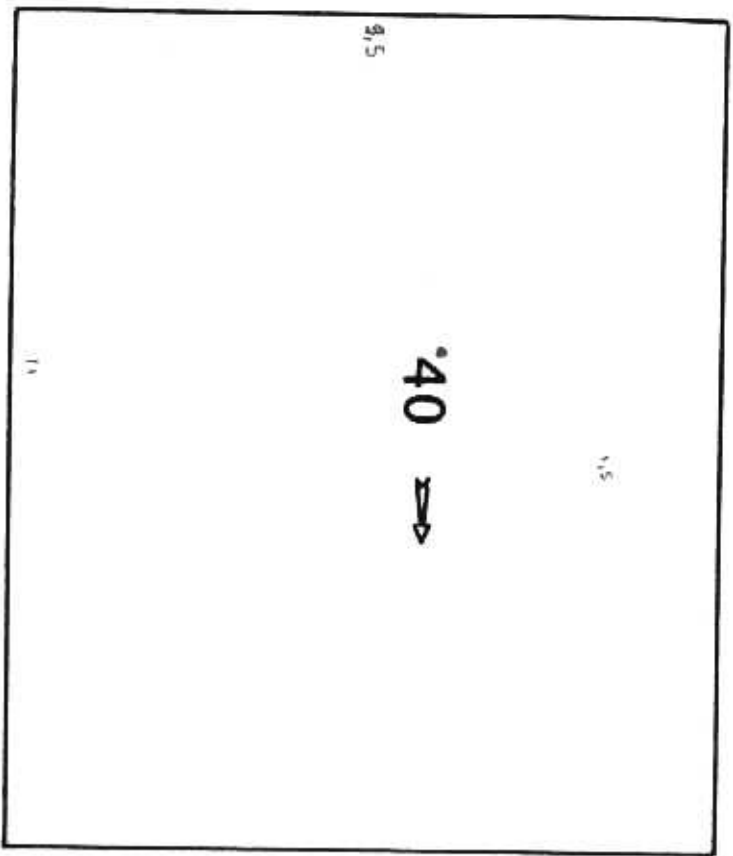


4

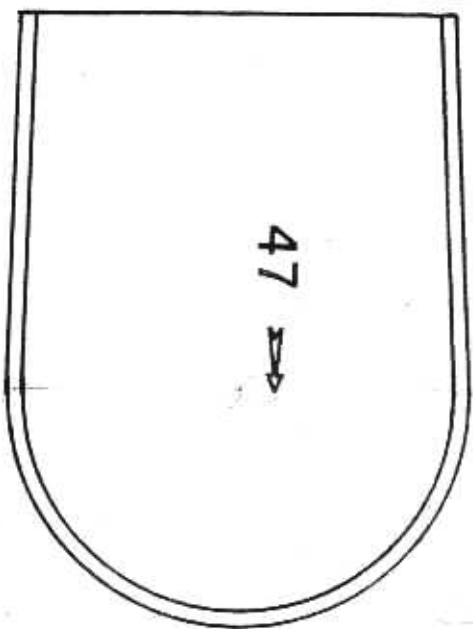
No.



20



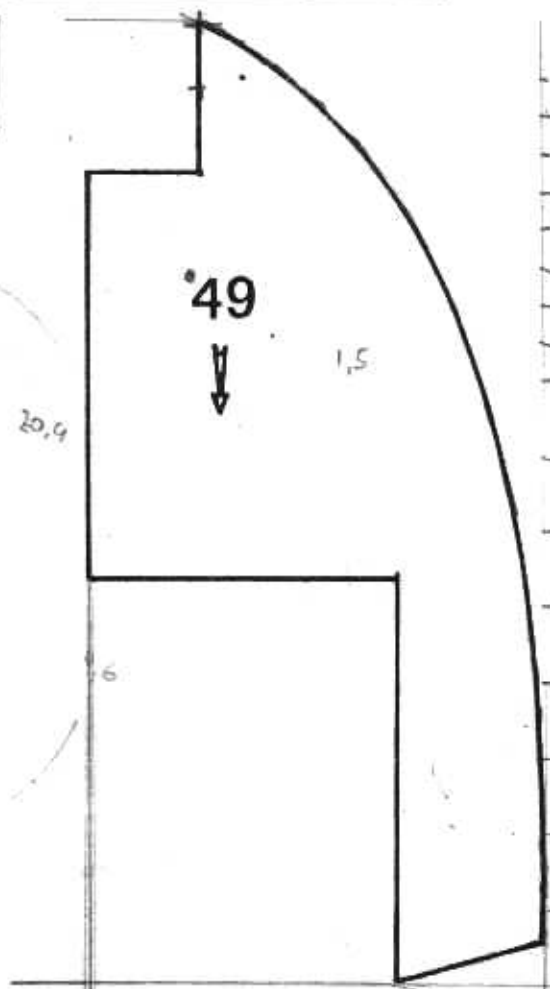
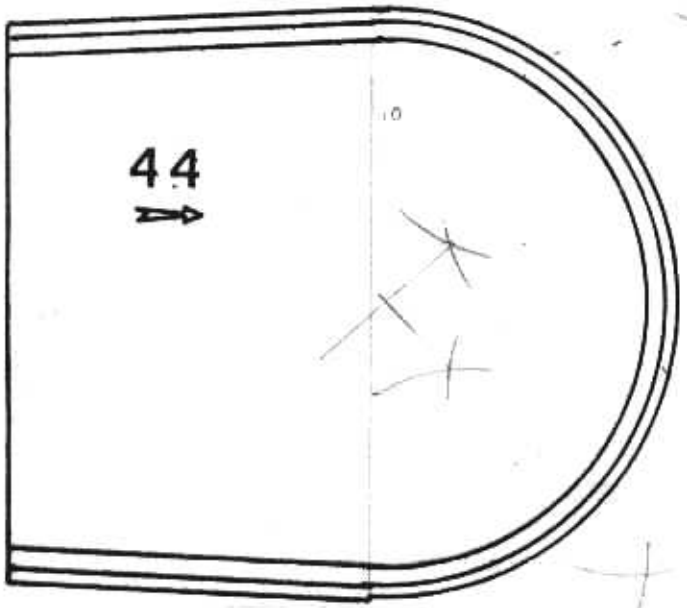
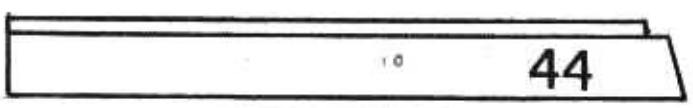
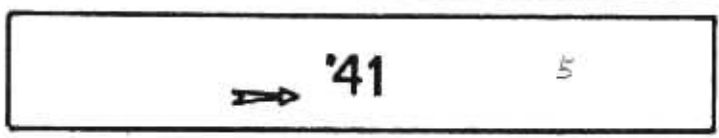
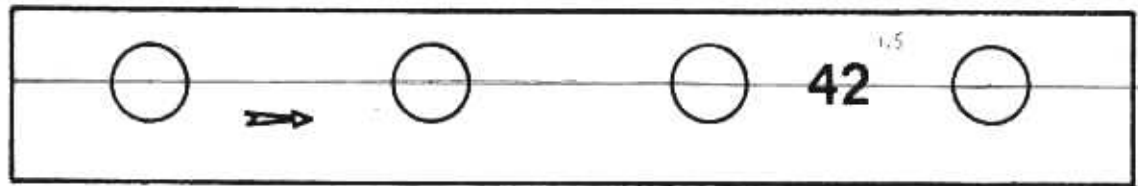
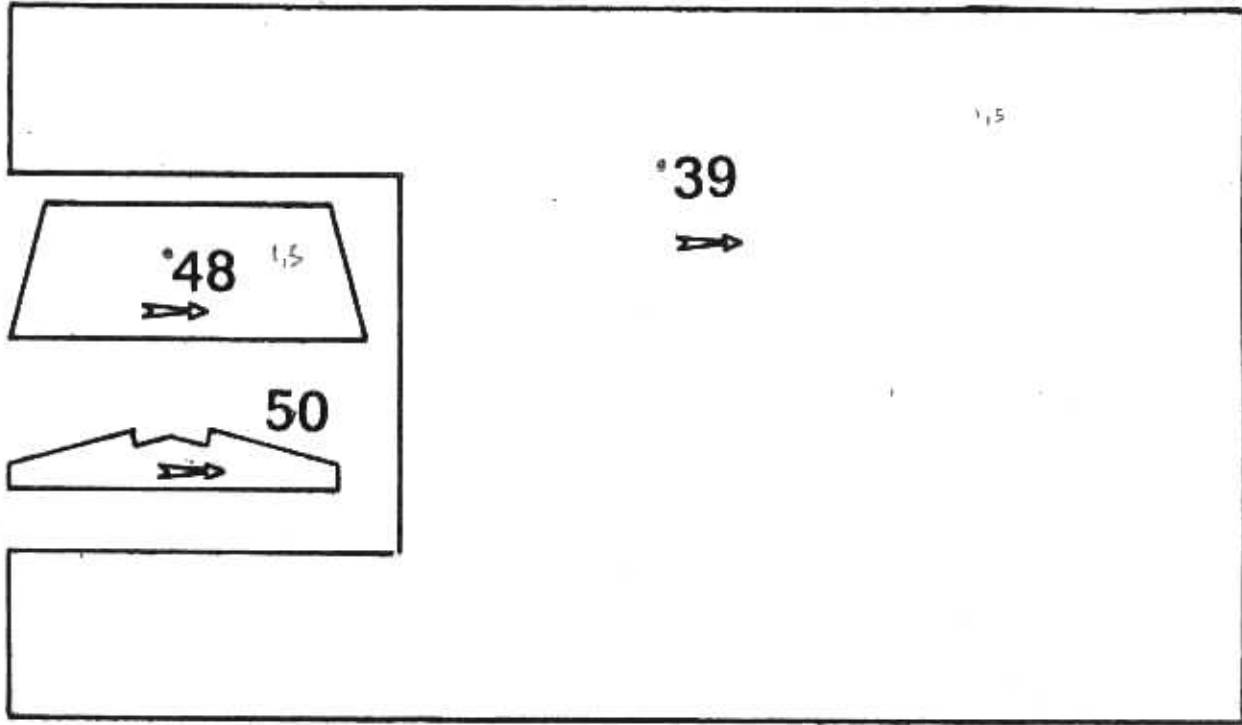
43.



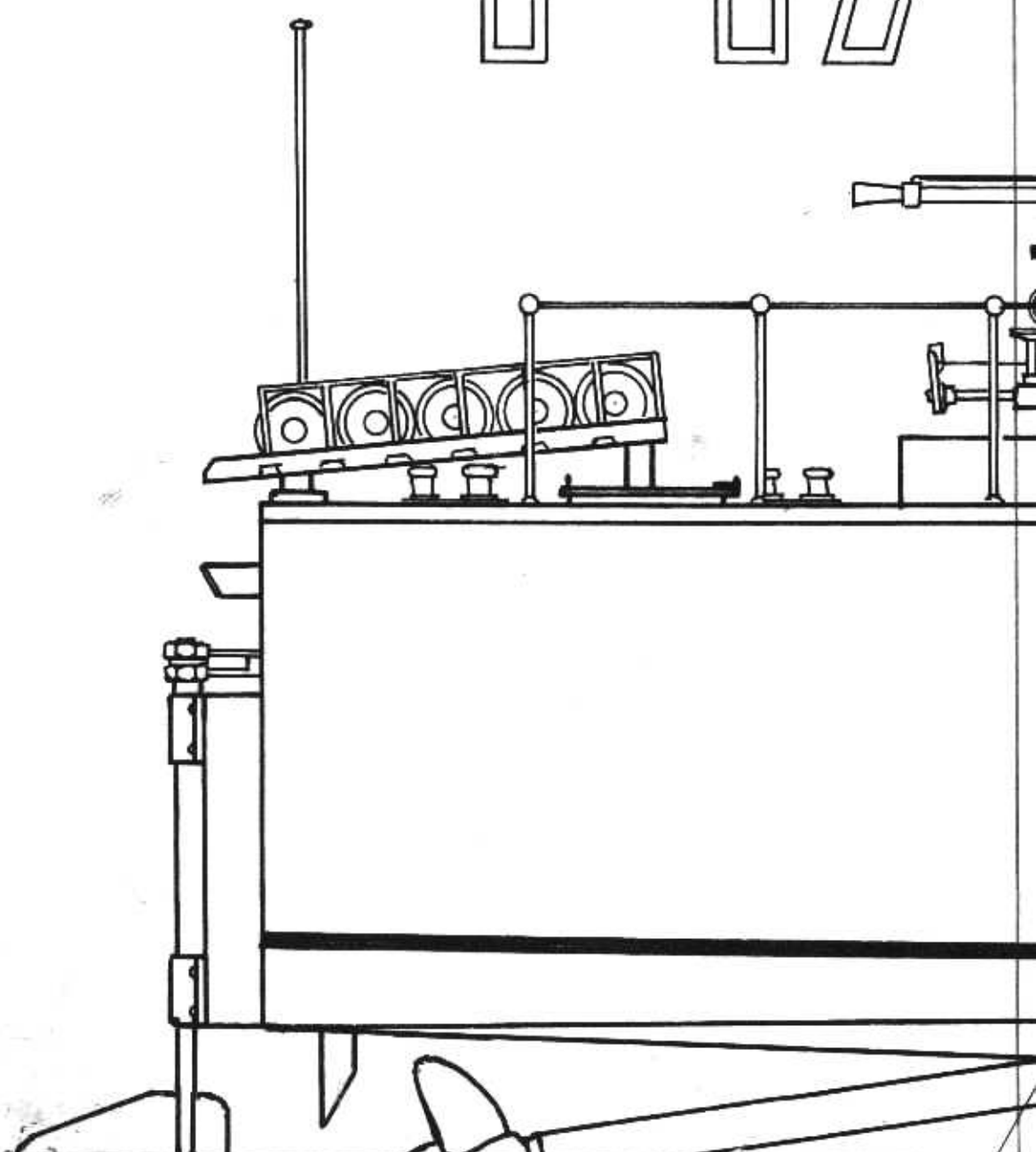
47



72

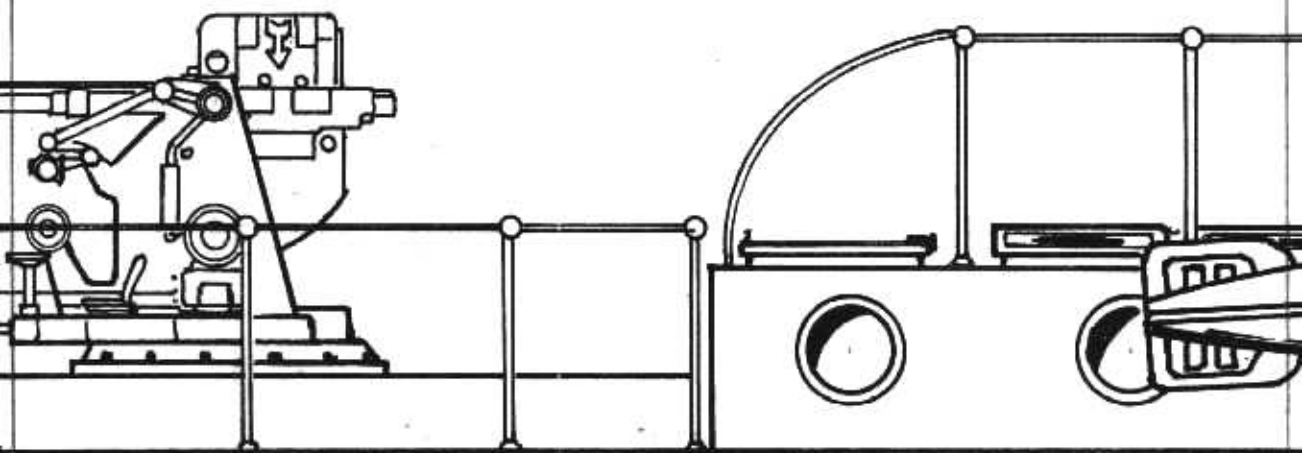


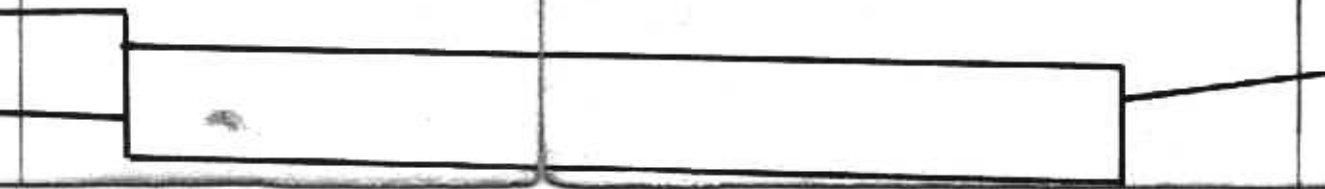
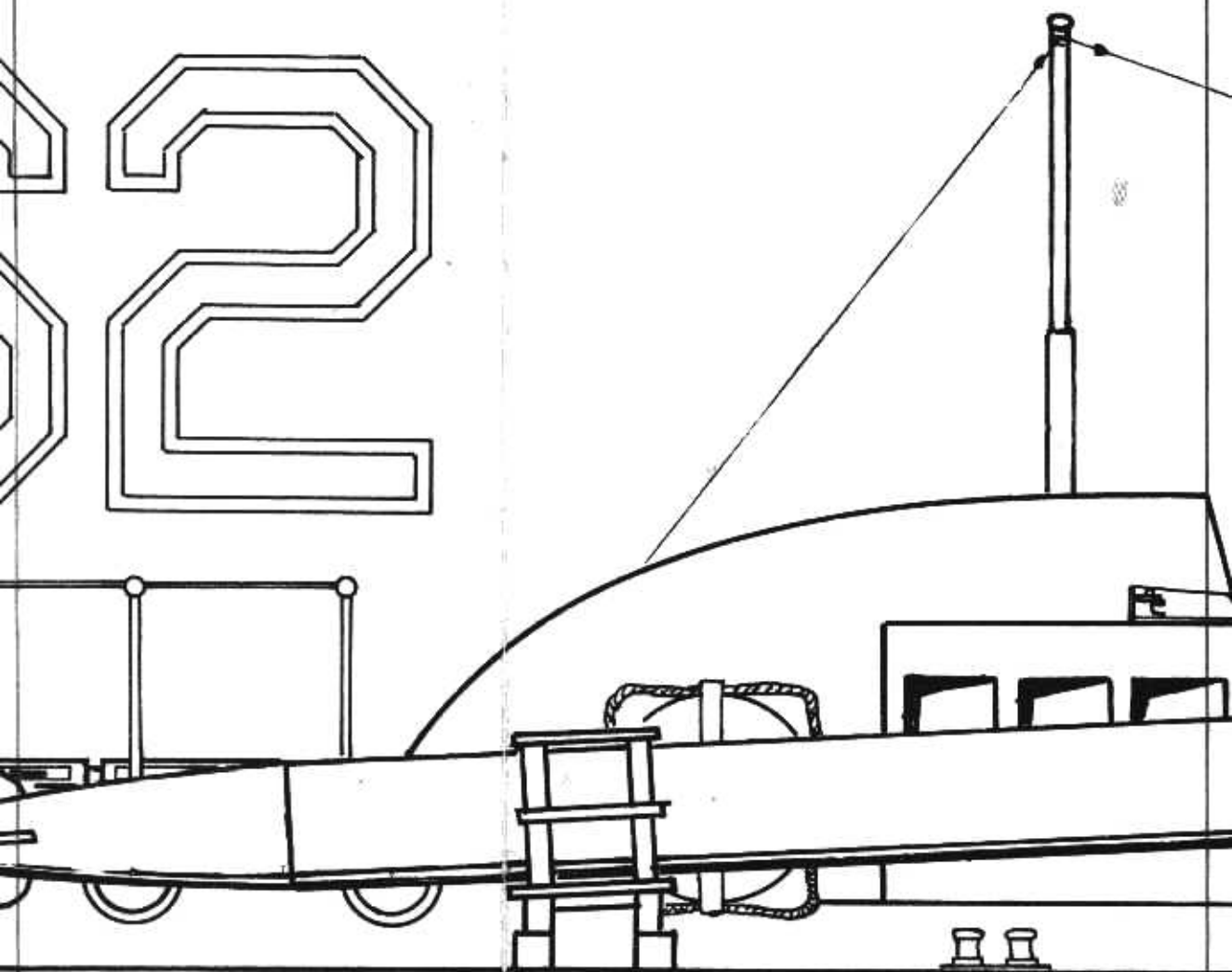
MAA





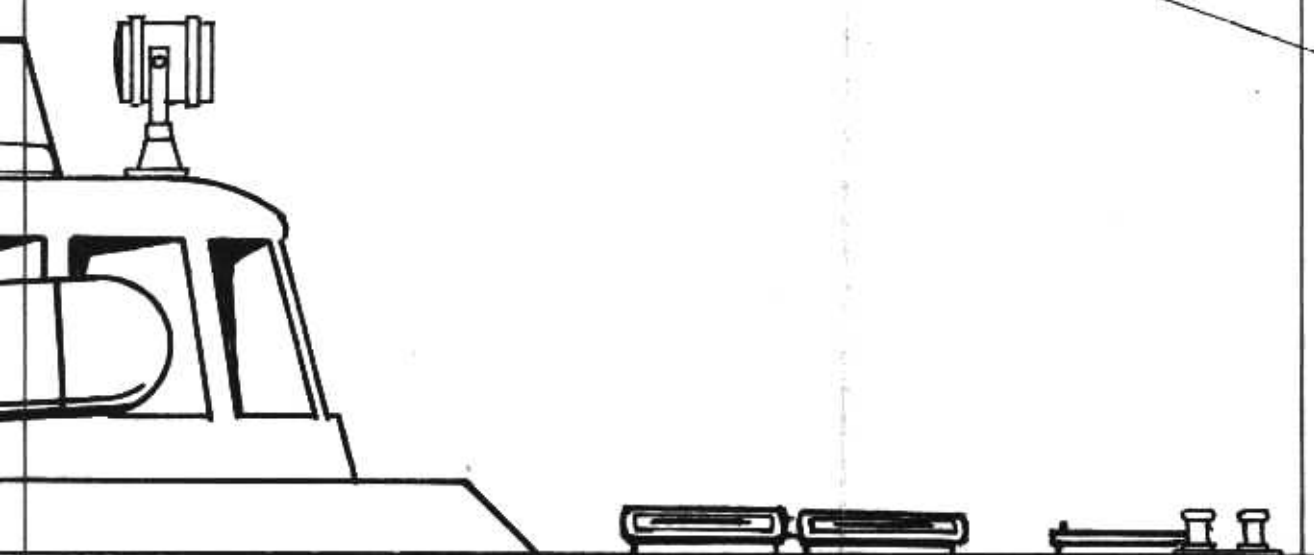
ASSOCI





DM 2

PER MOTORI A SCOPPIO

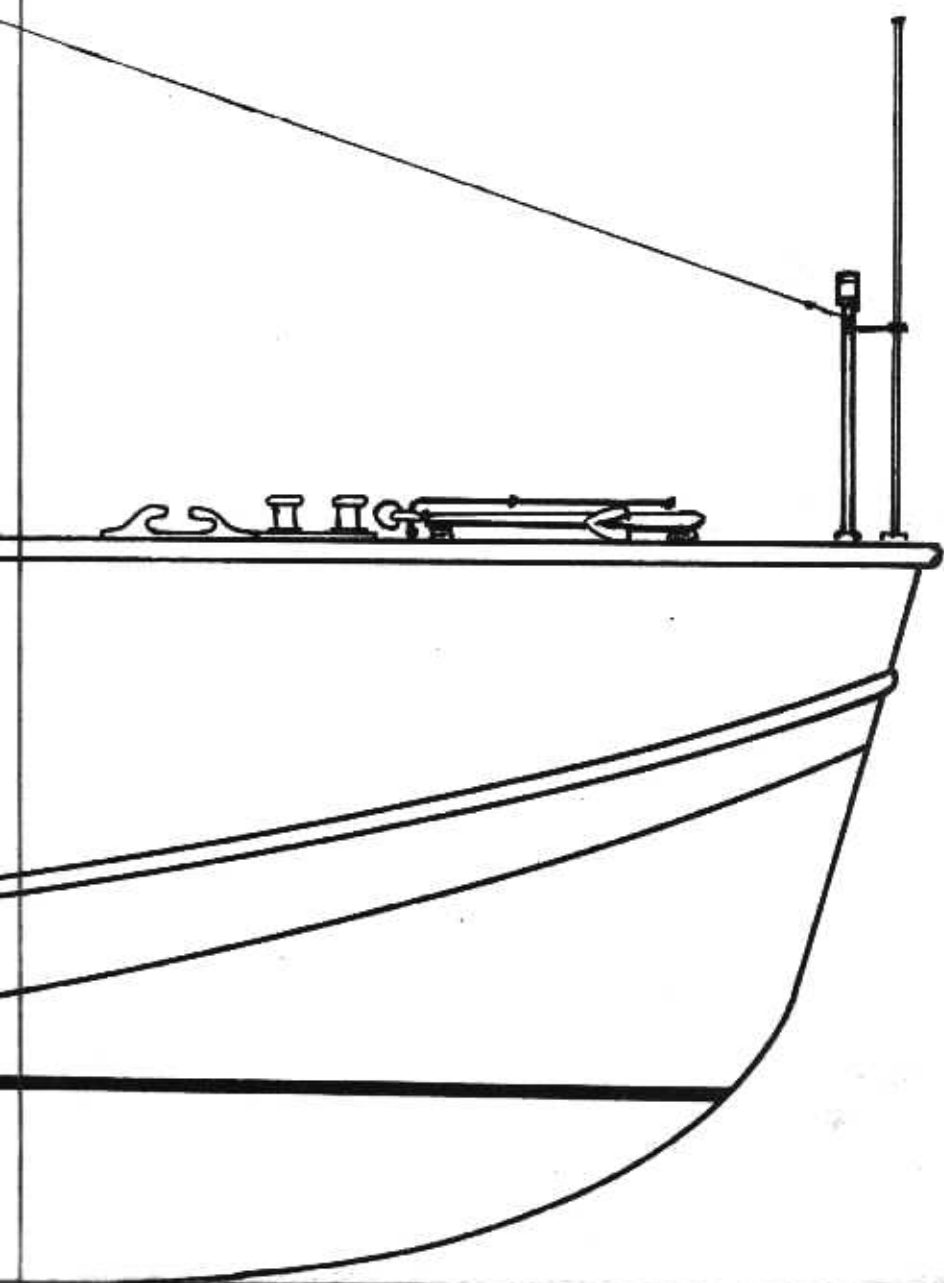


MAS 562

5.2.69

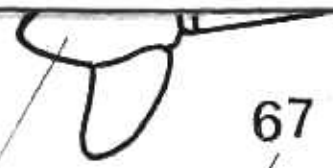
tavola 1

PILO 2.5÷3.5 cc E RC 2÷4 CANALI





60



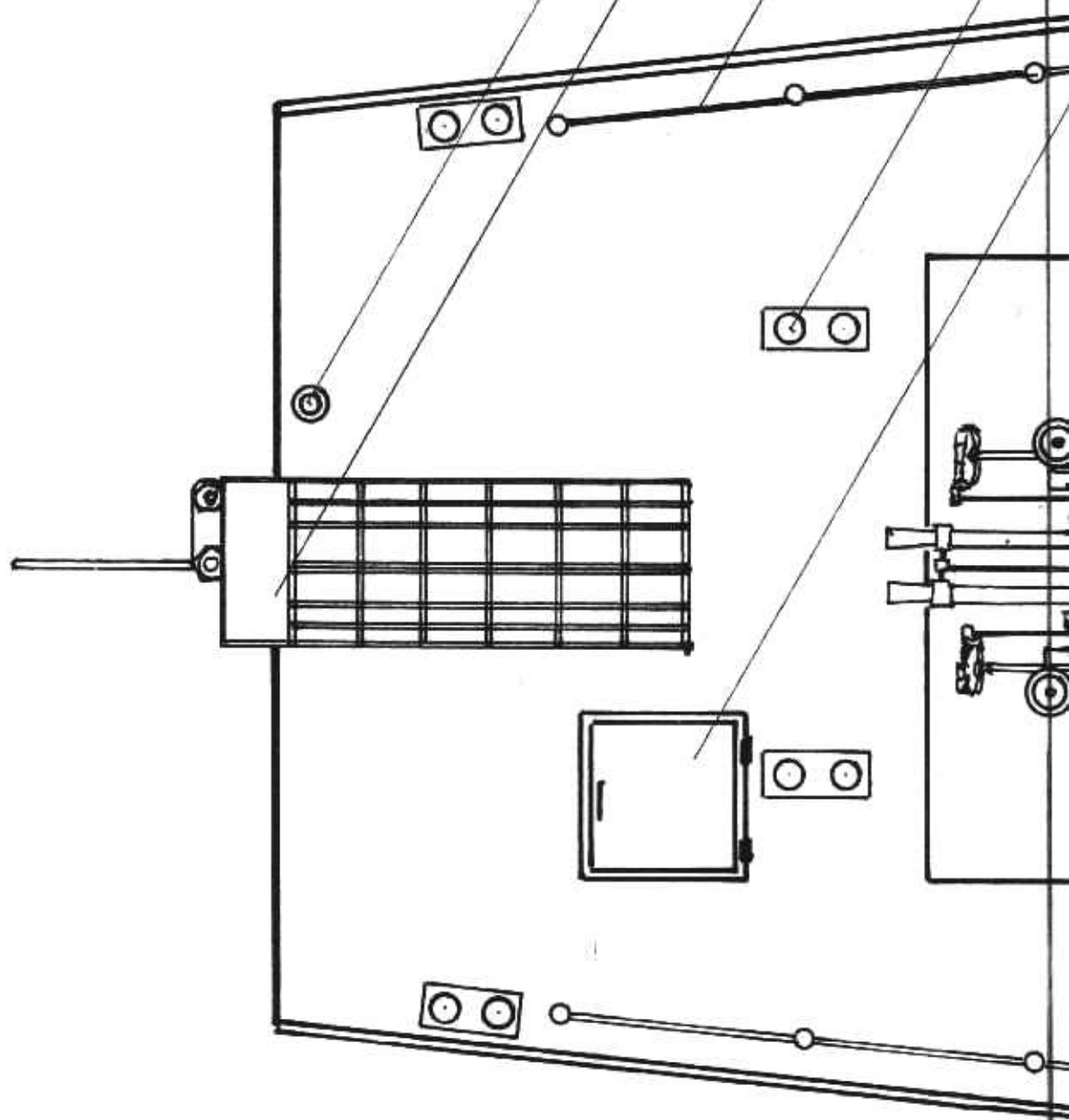
74

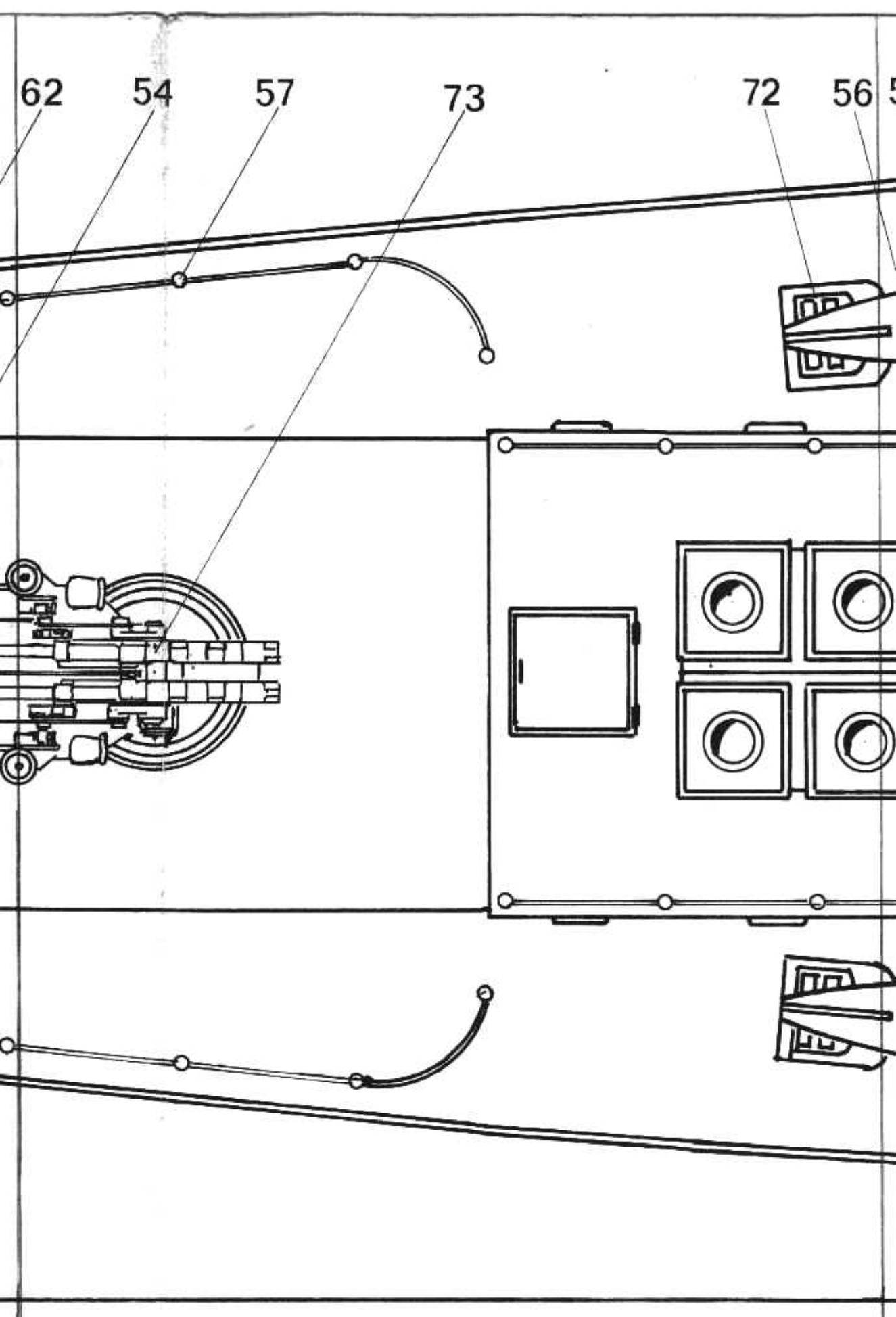
67 61

58

8

6





62

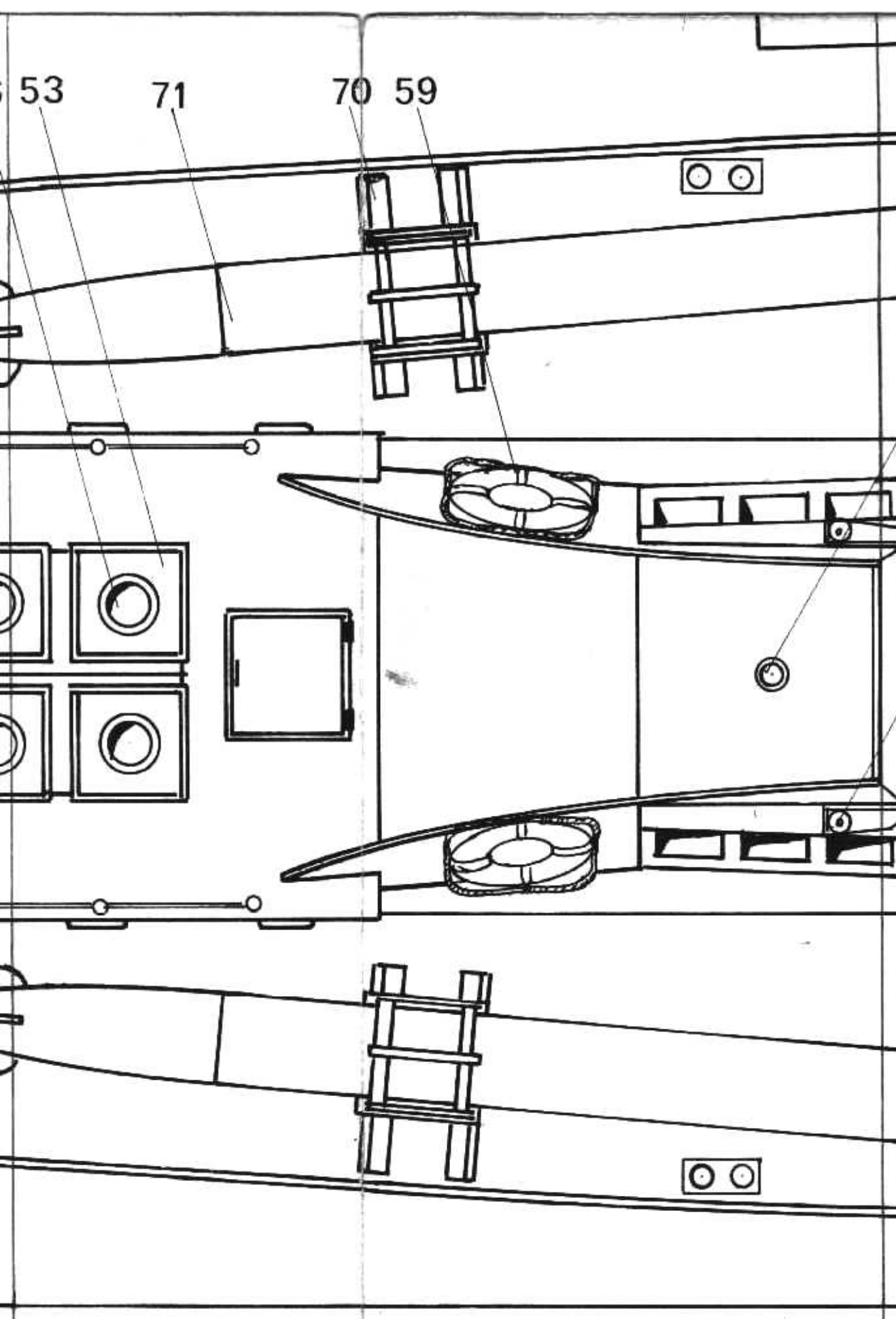
54

57

73

72

56

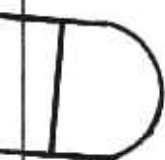
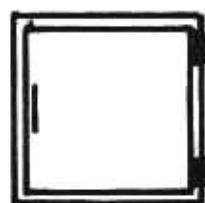
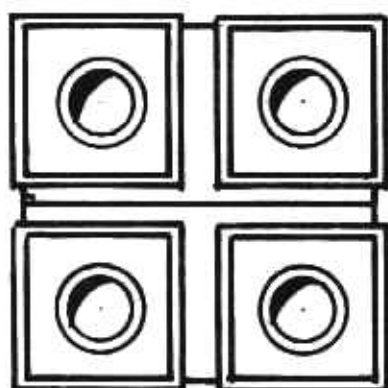
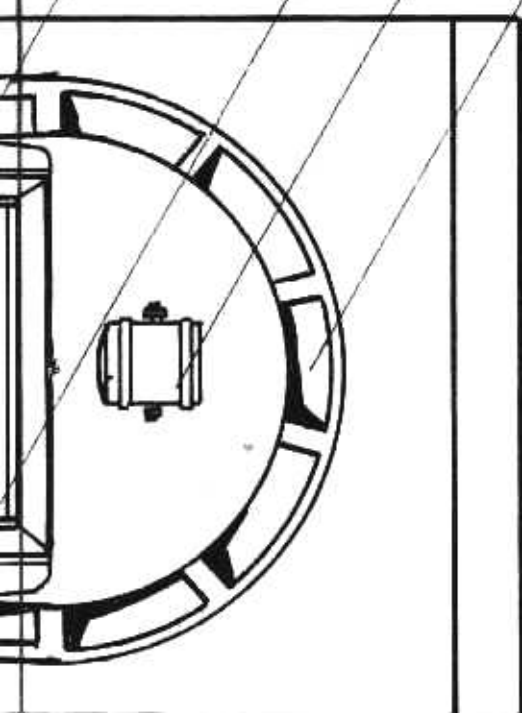


65

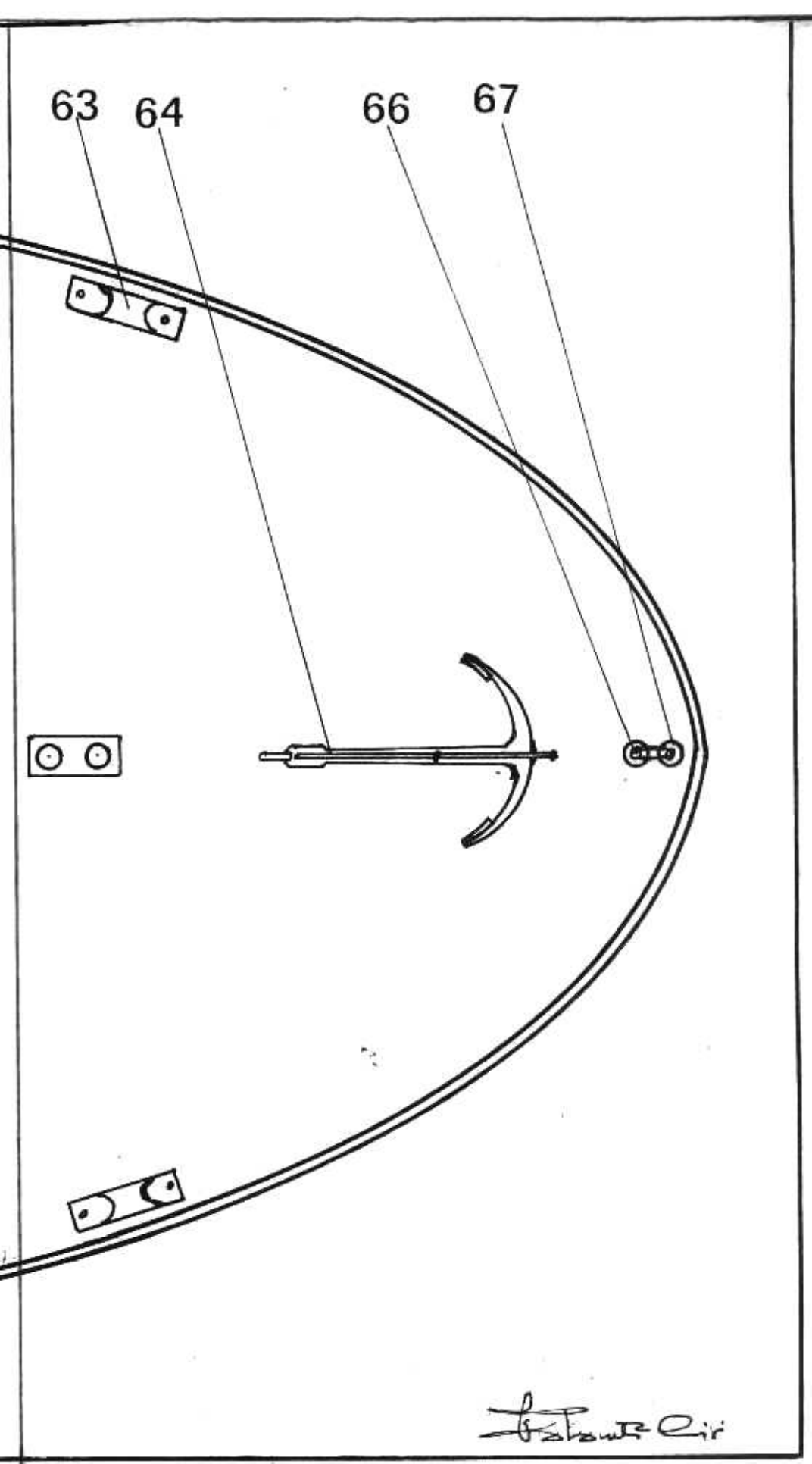
68

69

75

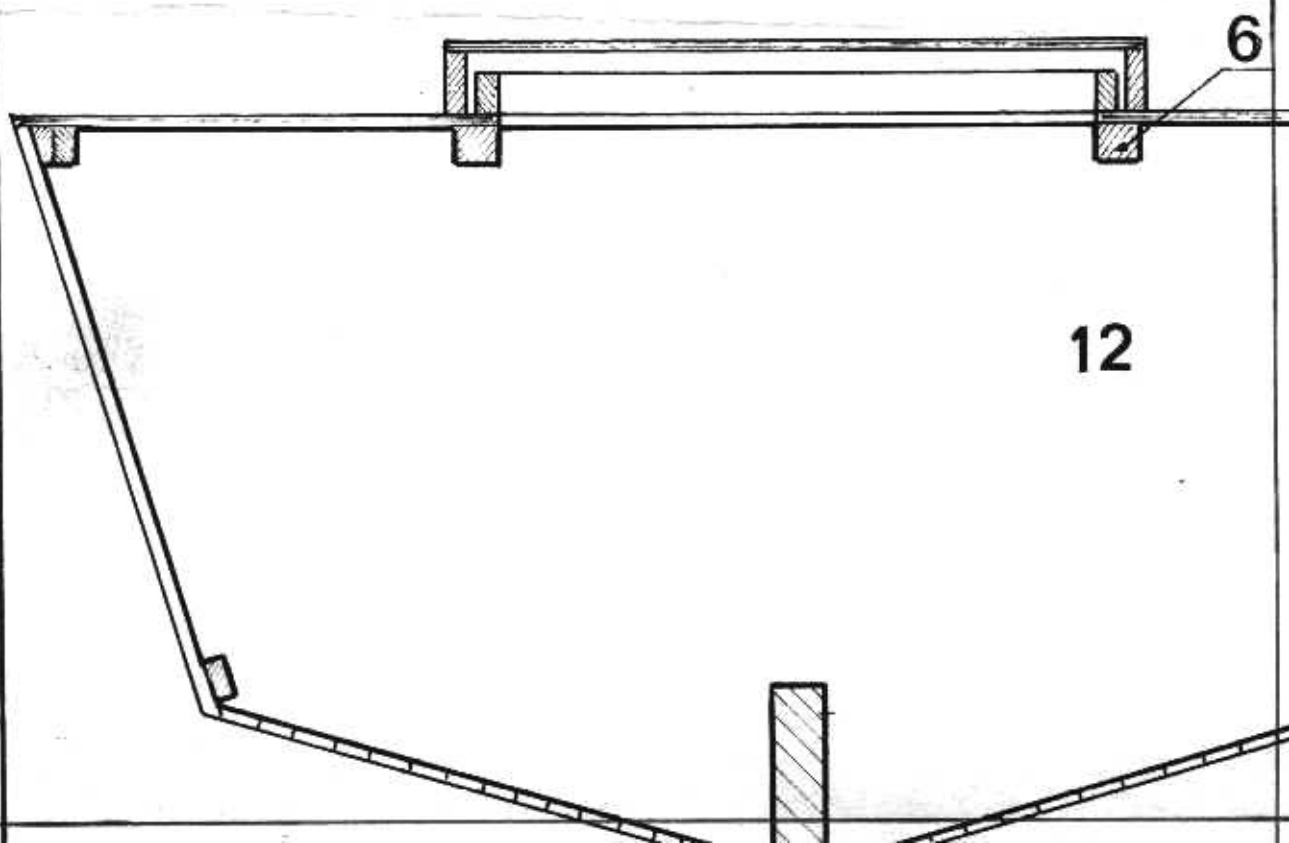
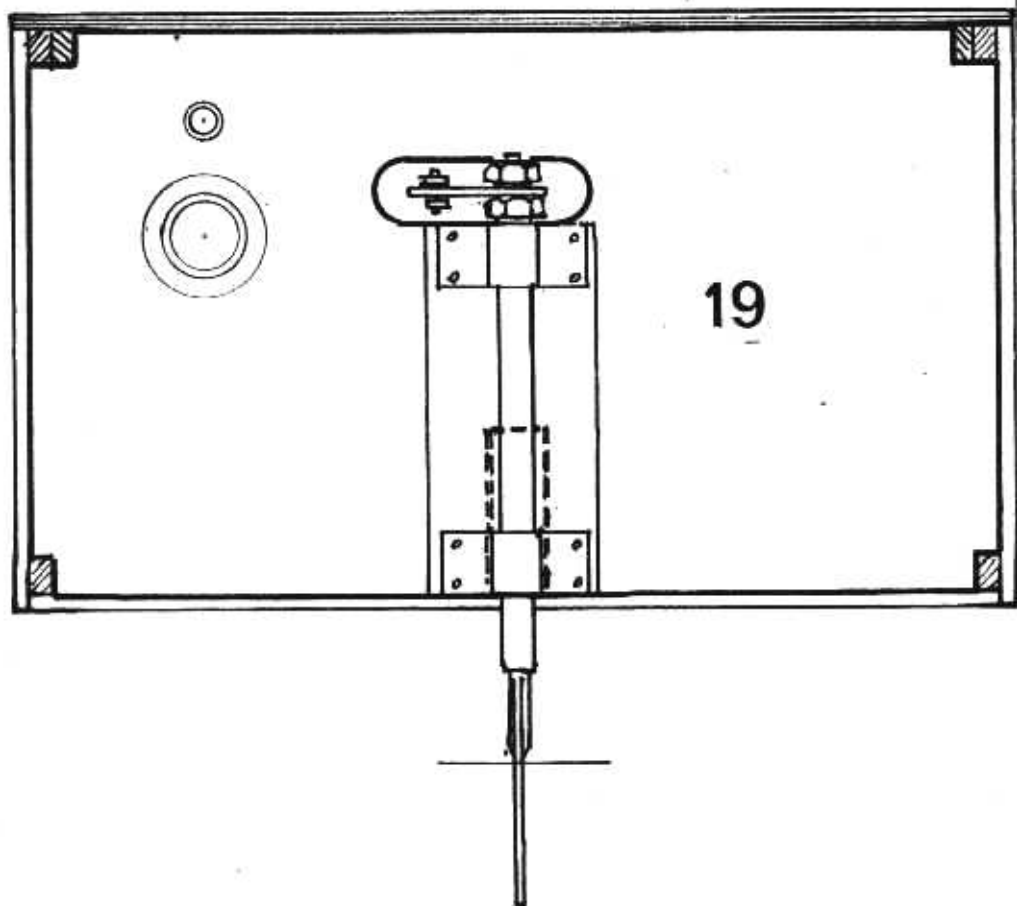


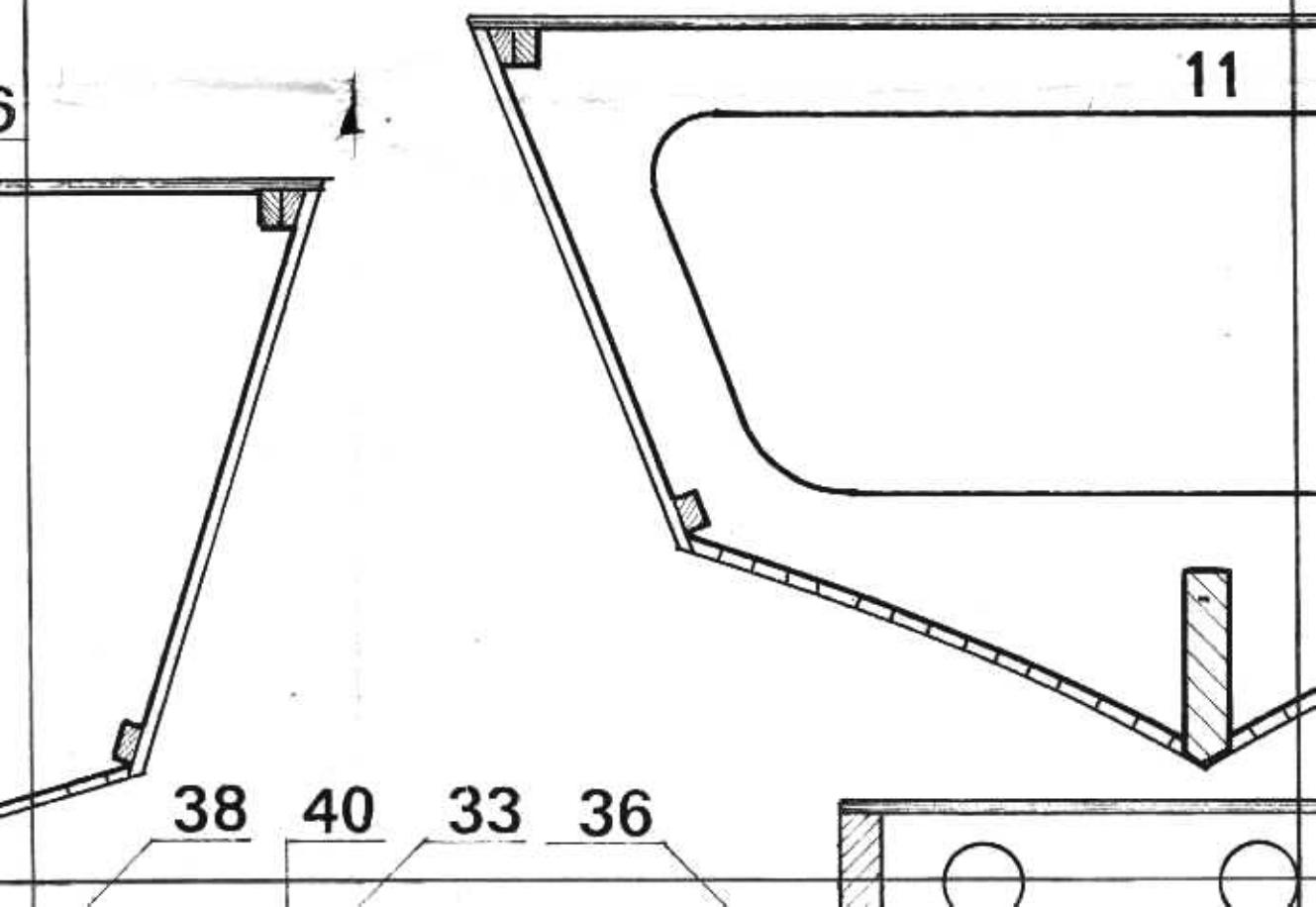
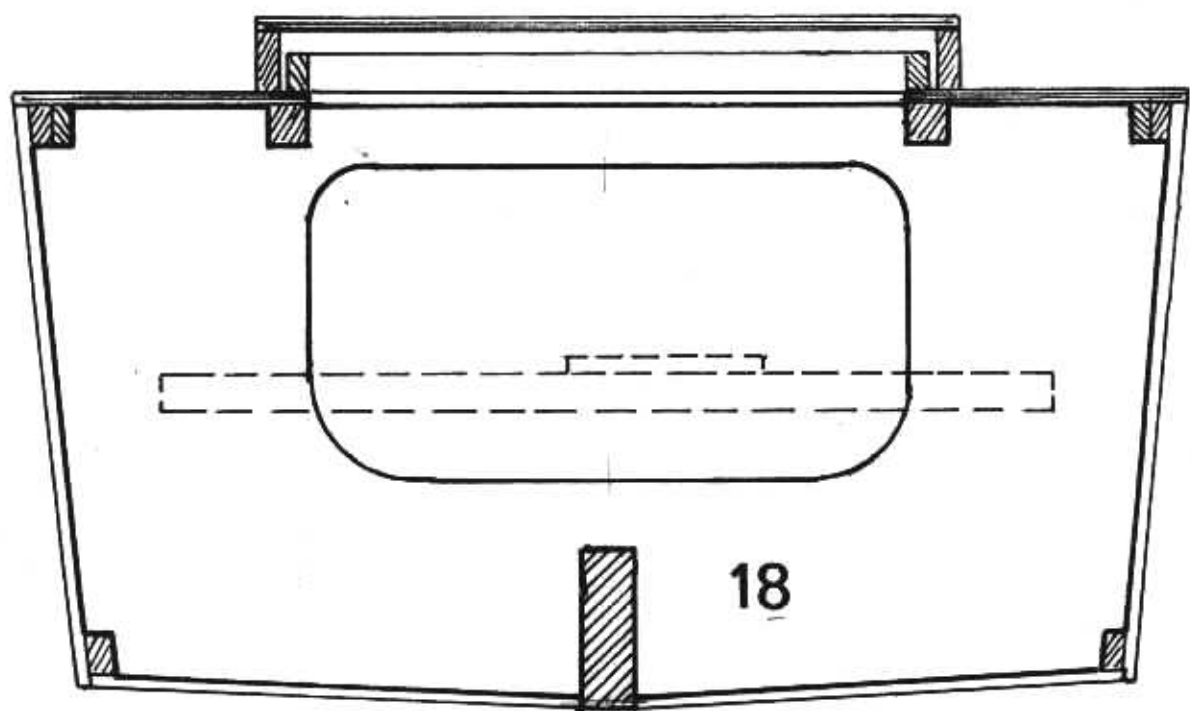


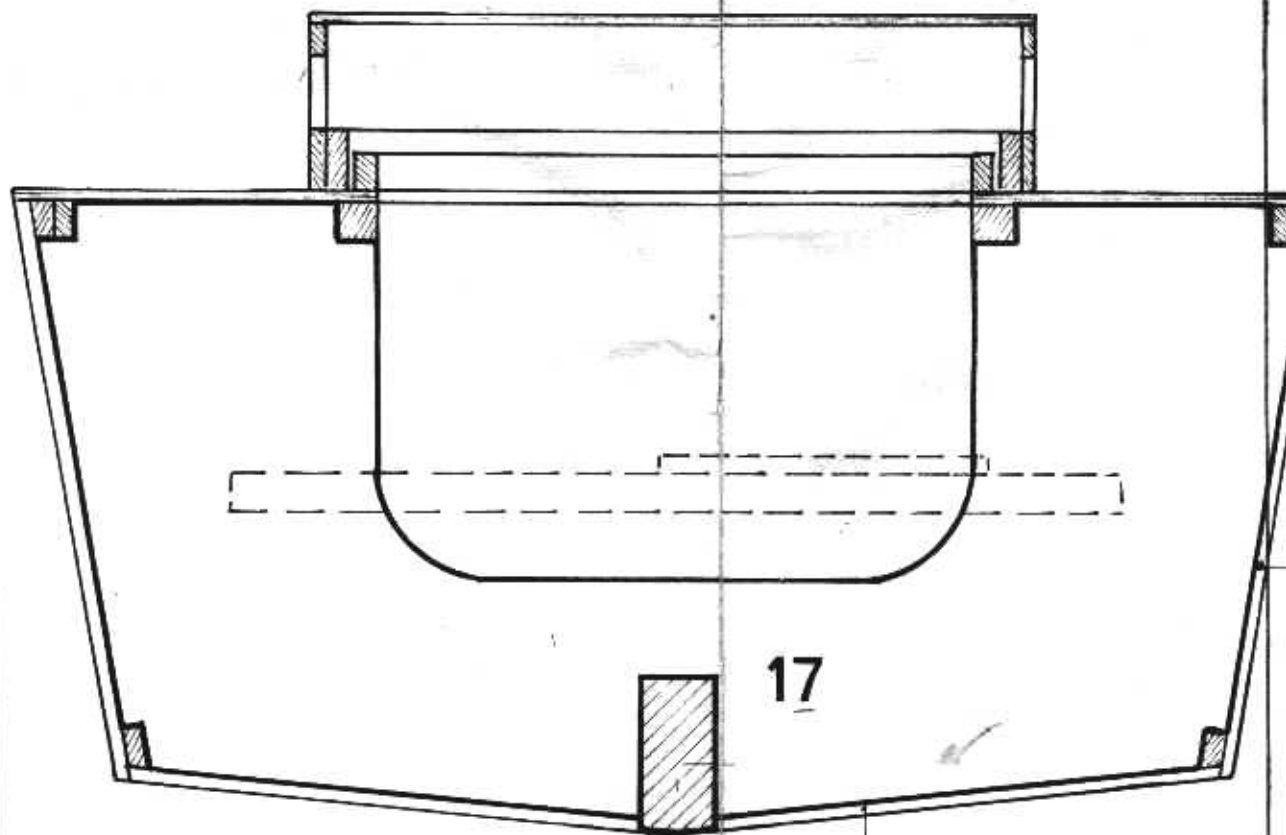


*Esteban Cir*

X = 0



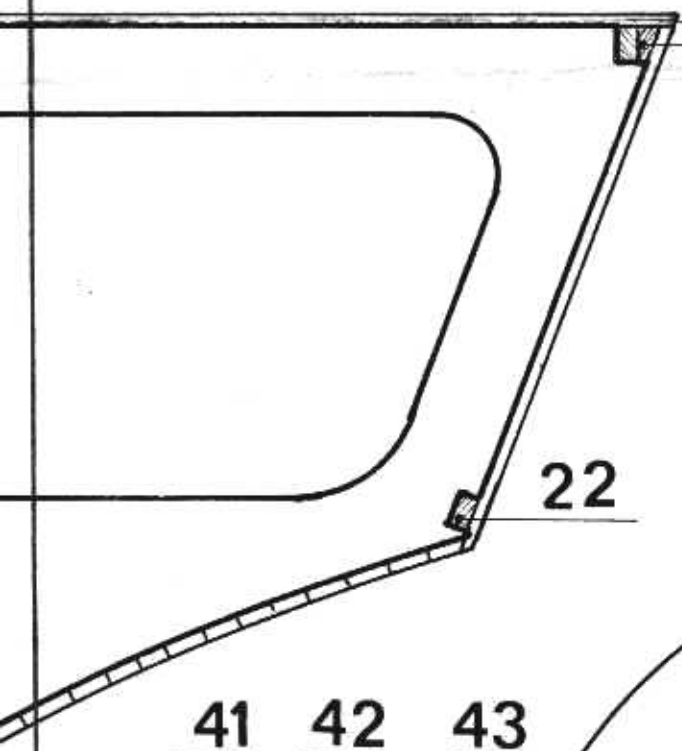




17

25

7



22

46

41

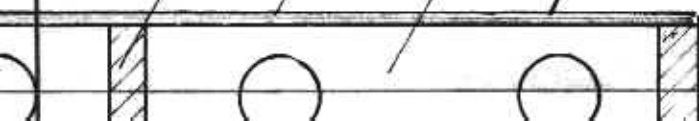
42

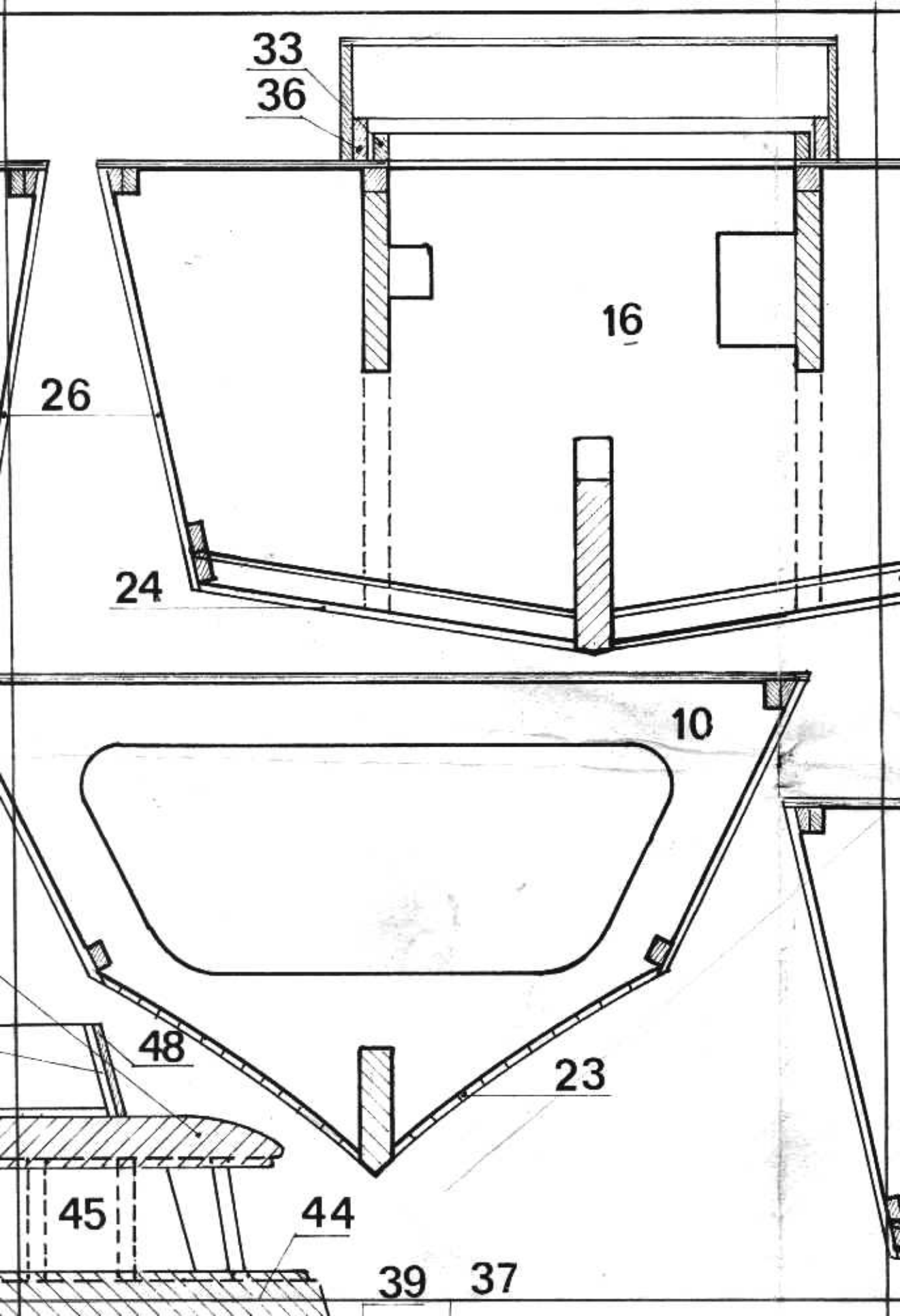
43

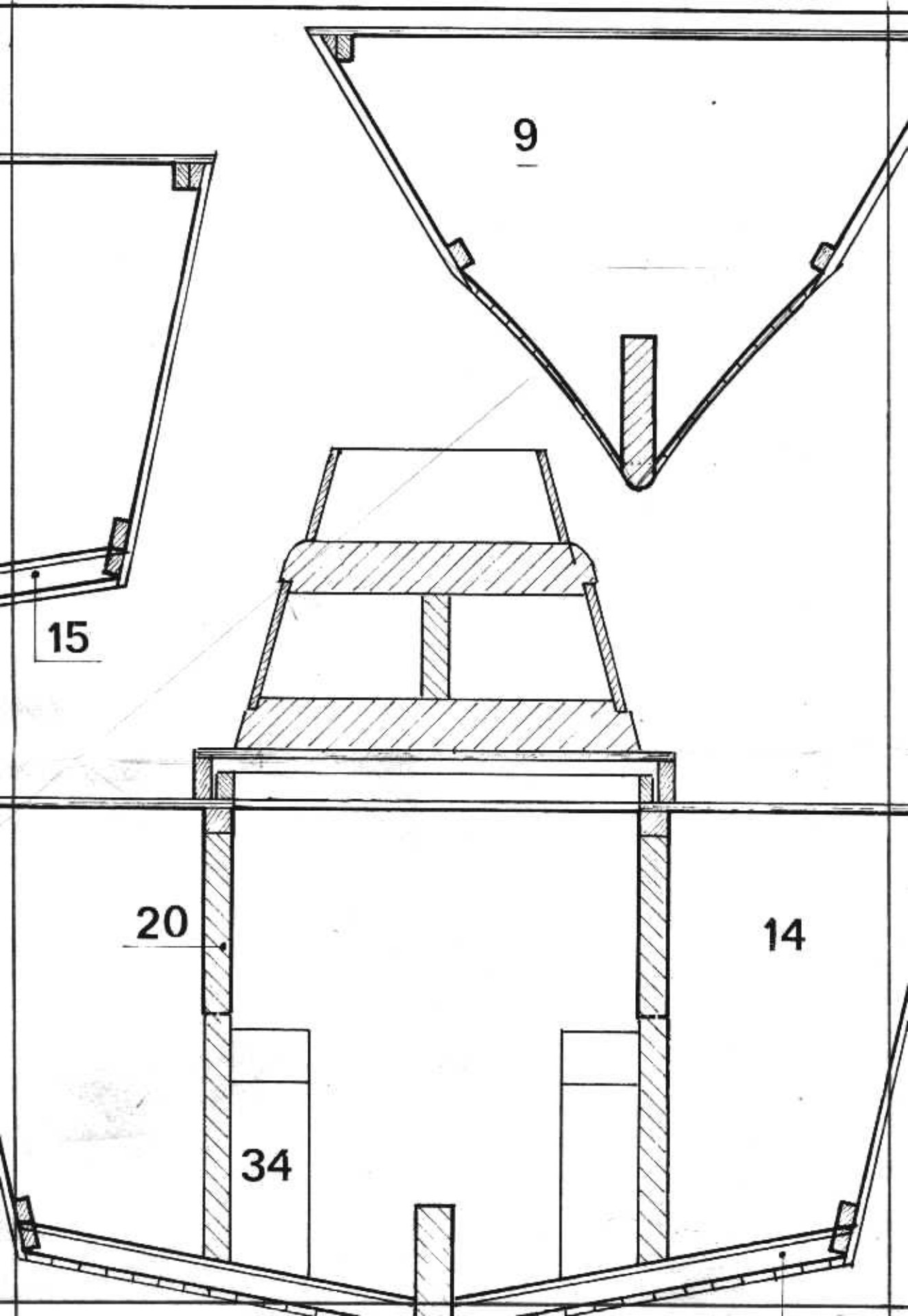
47

LIST. 2x2

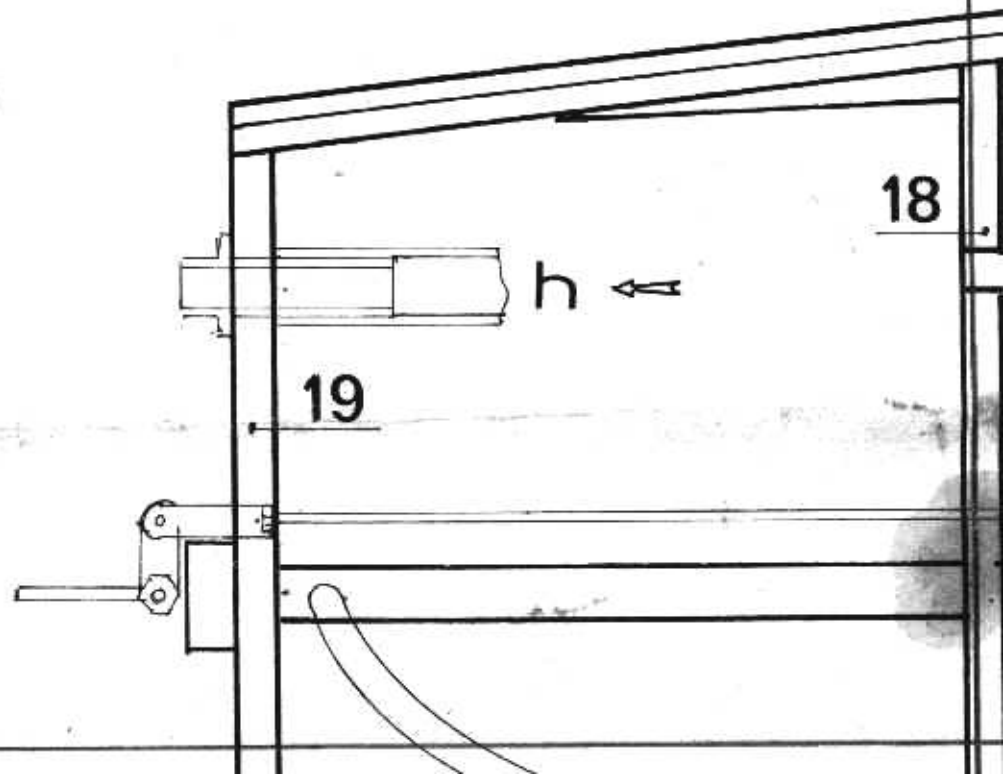
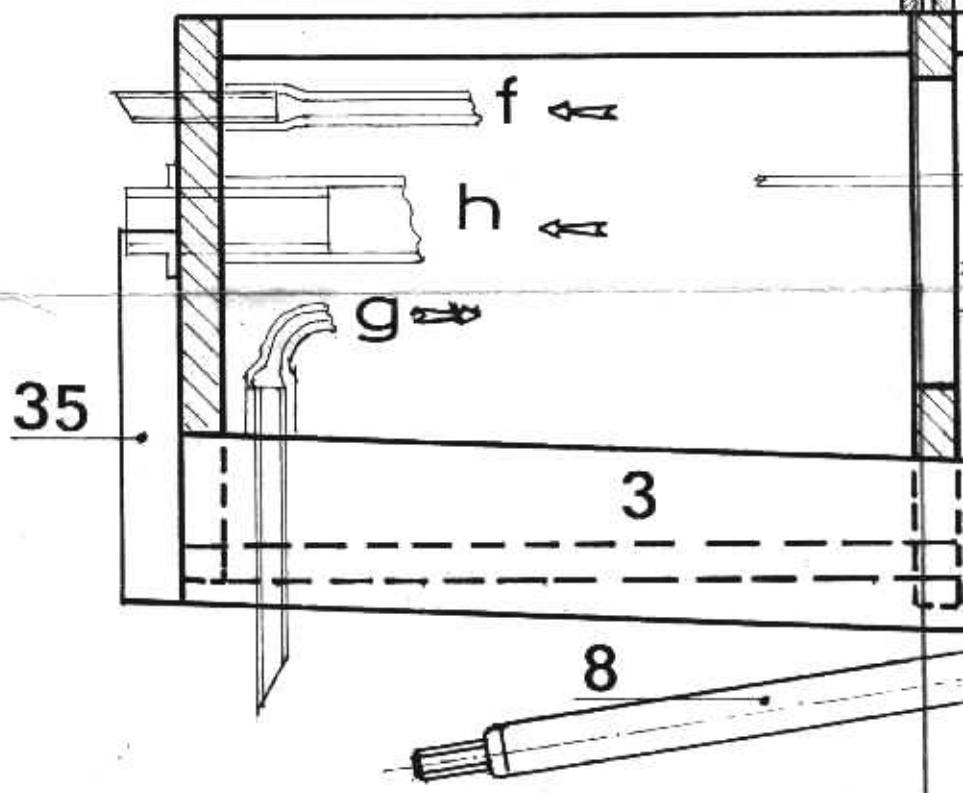
49



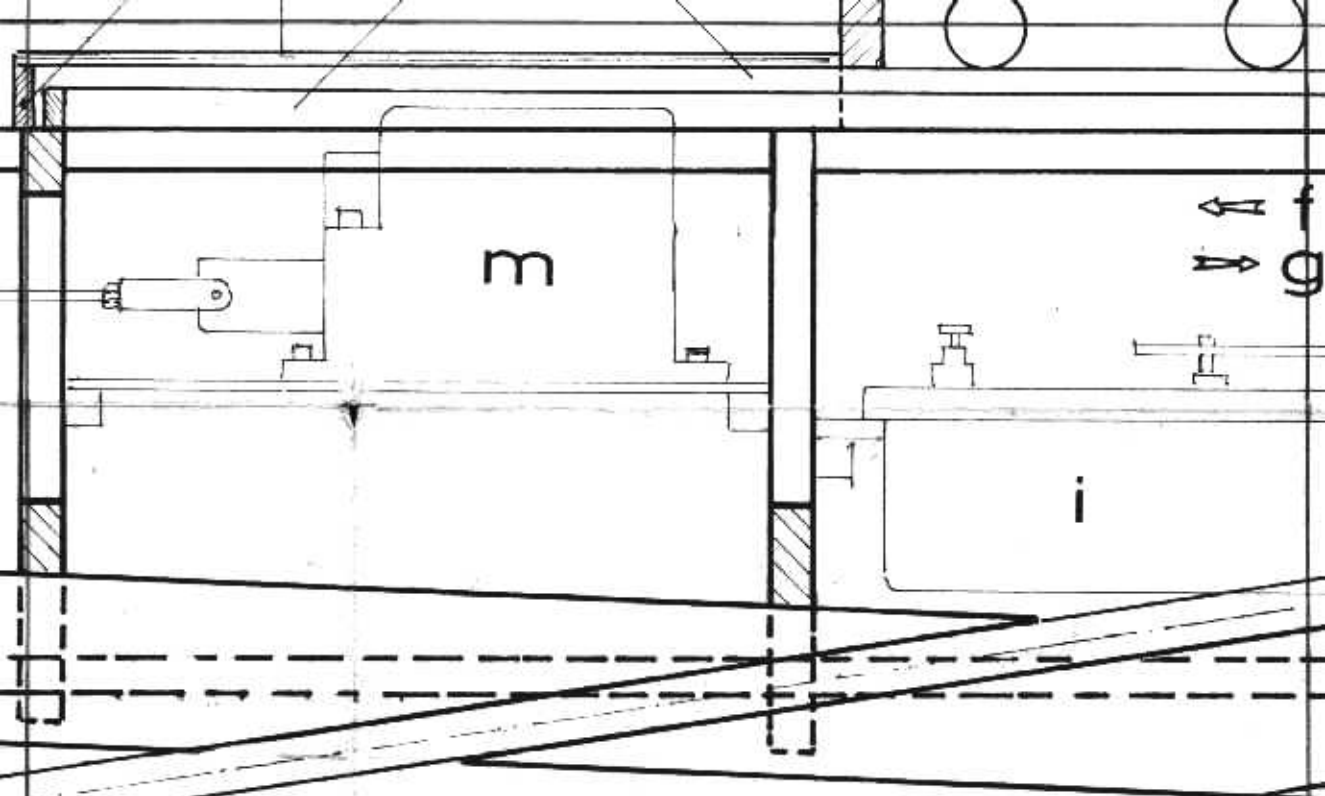




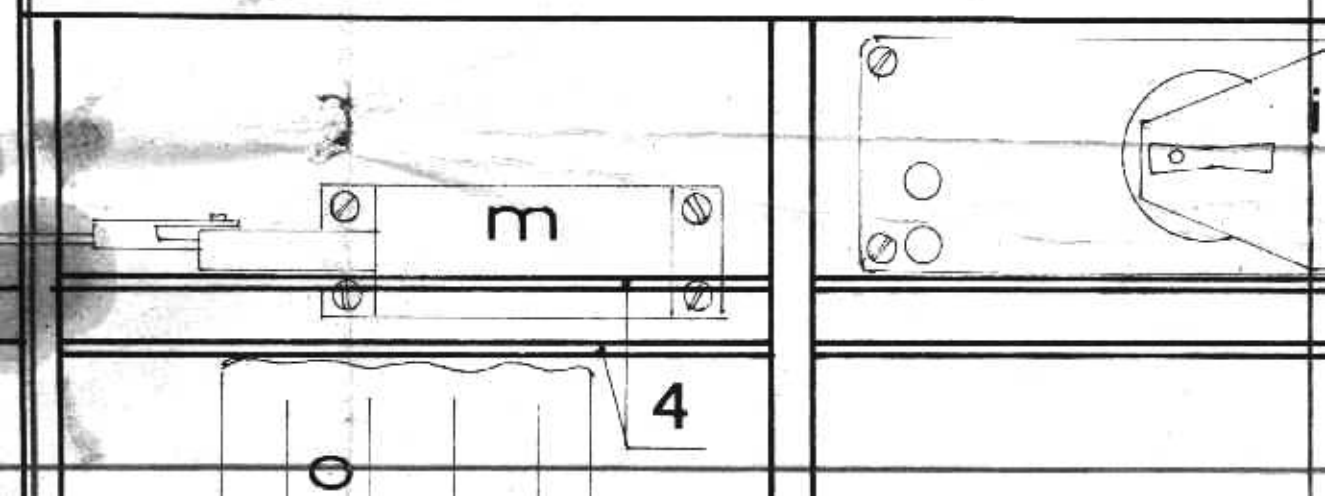


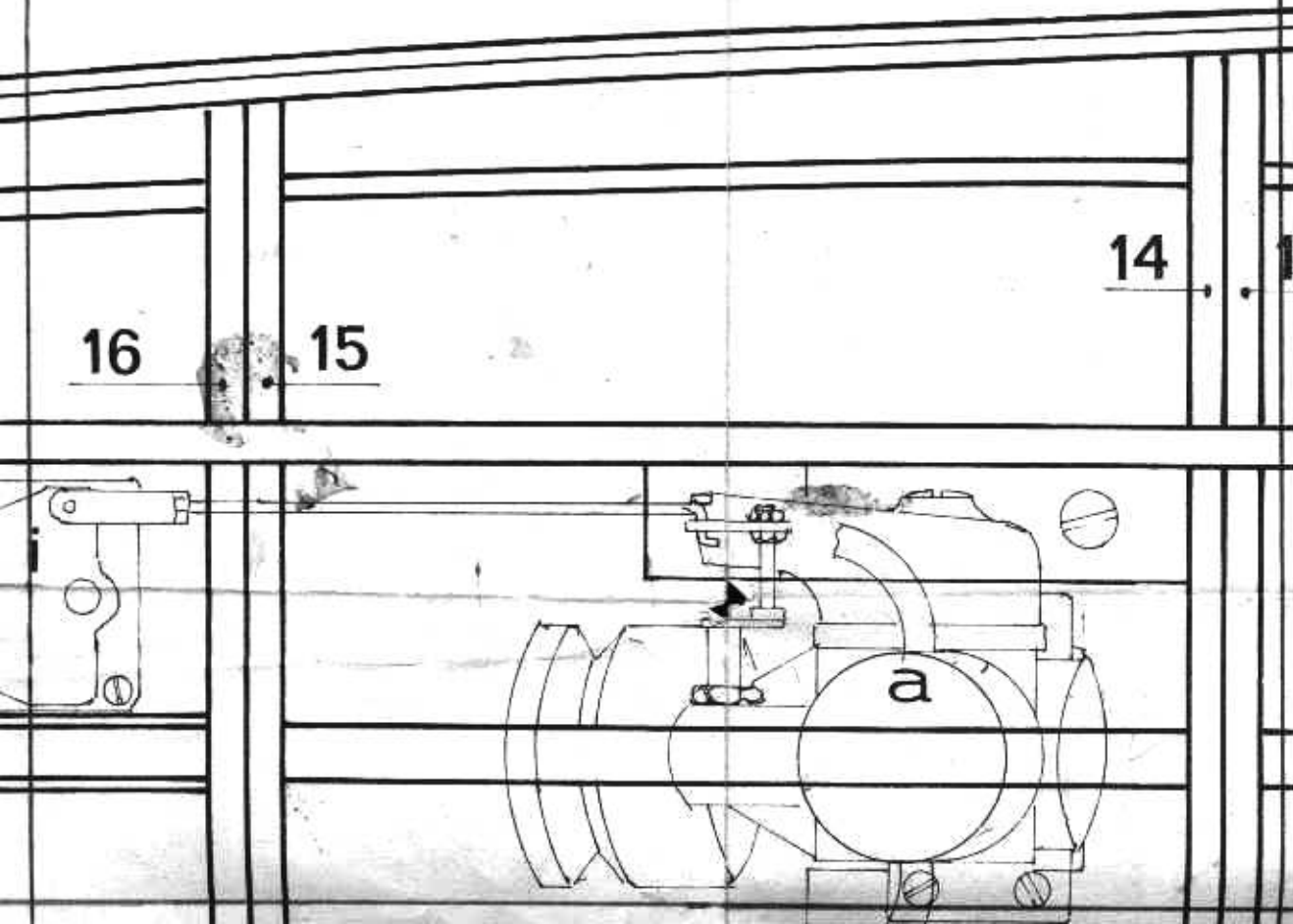
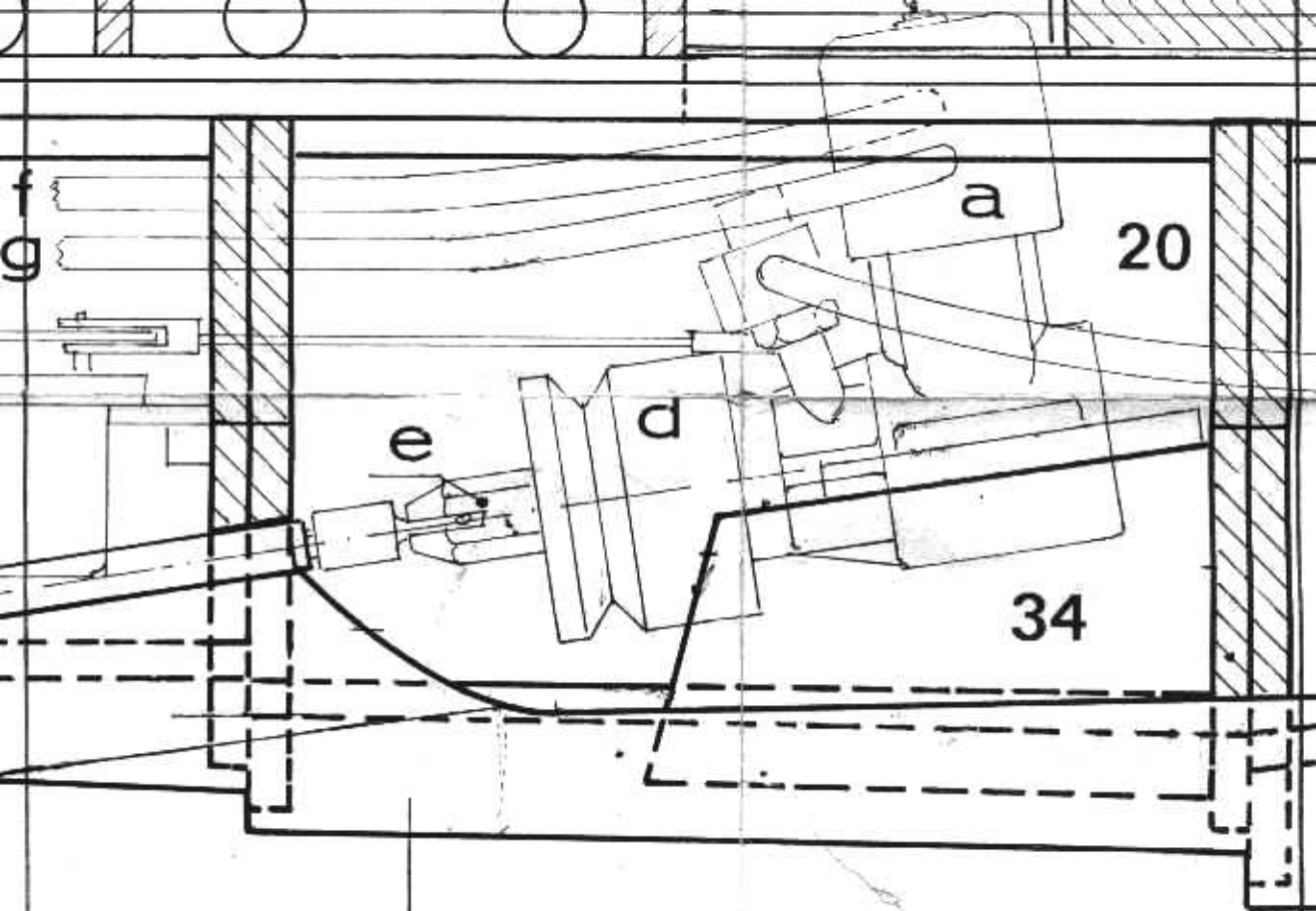


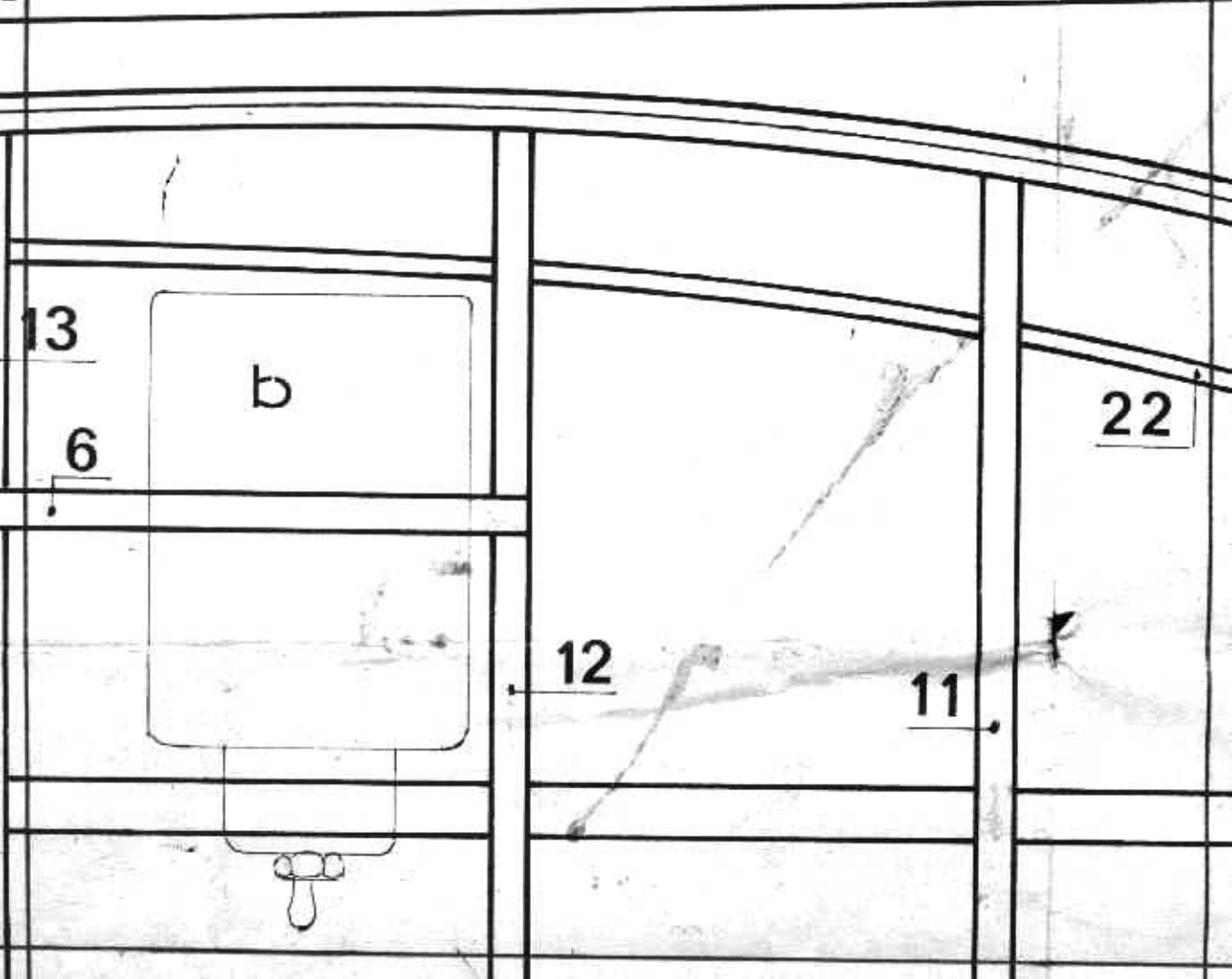
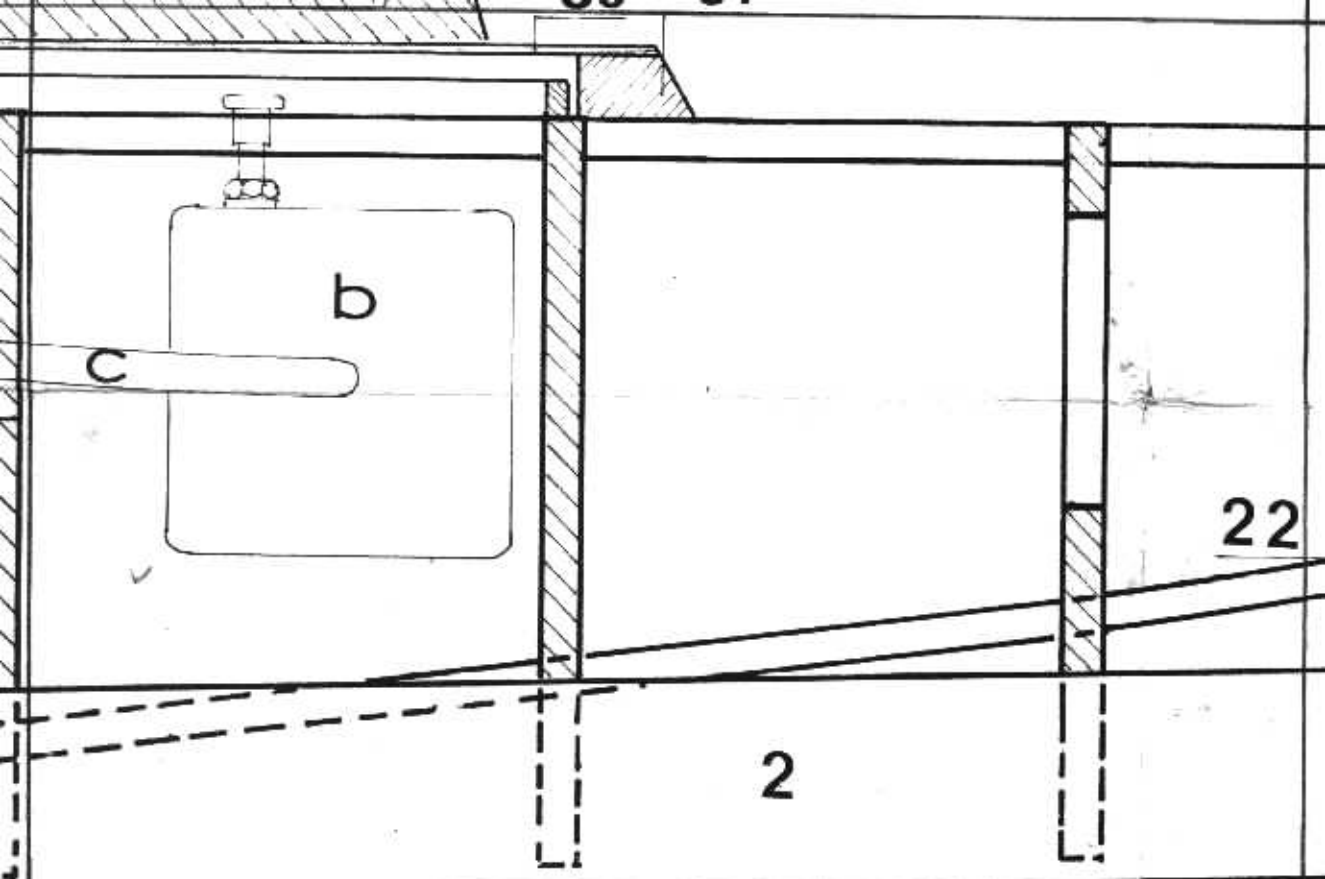




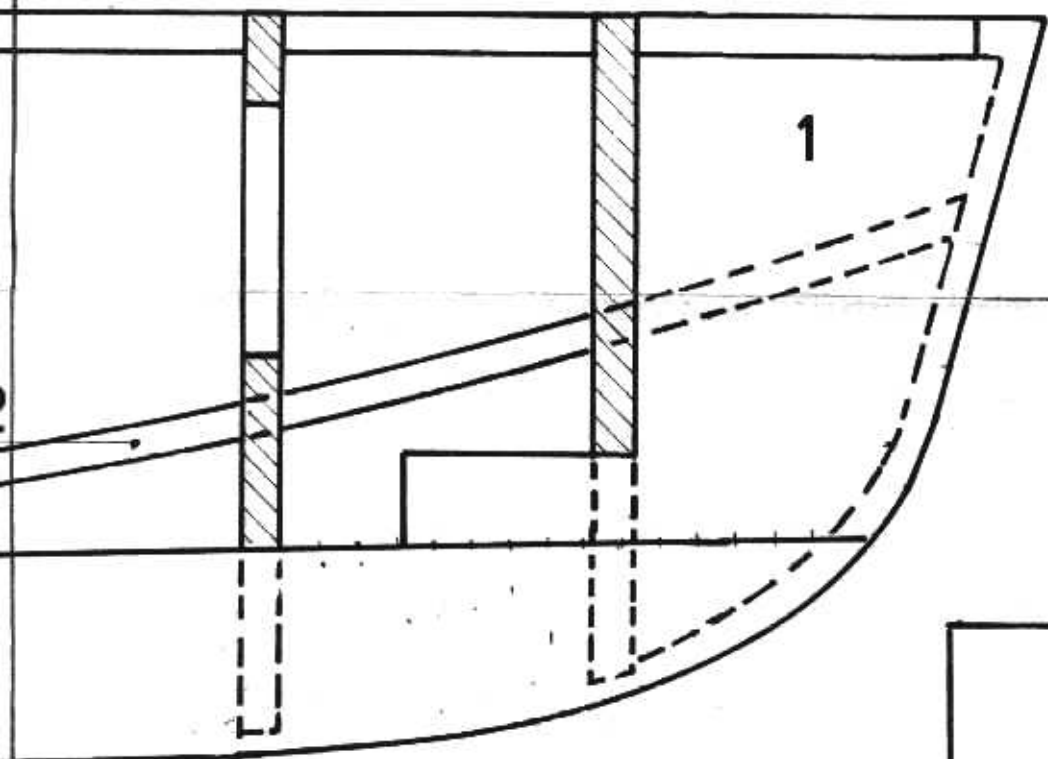
17.







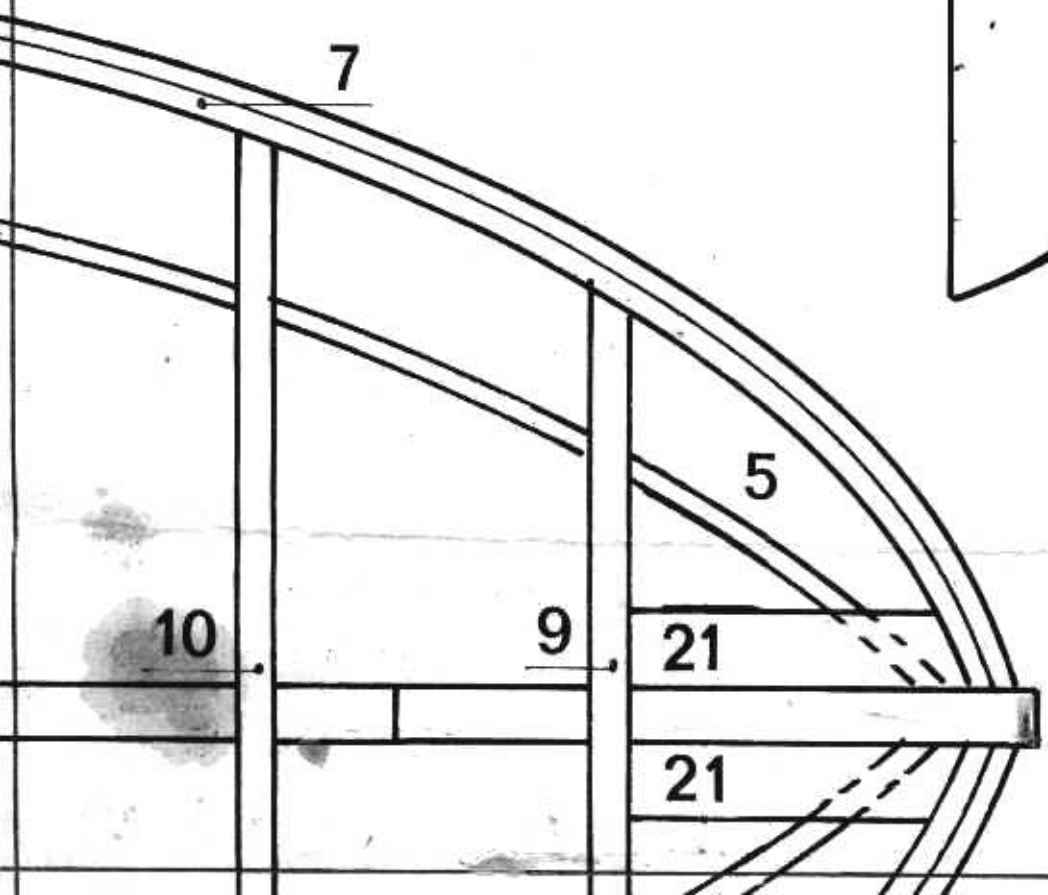
13



5

21

7



5

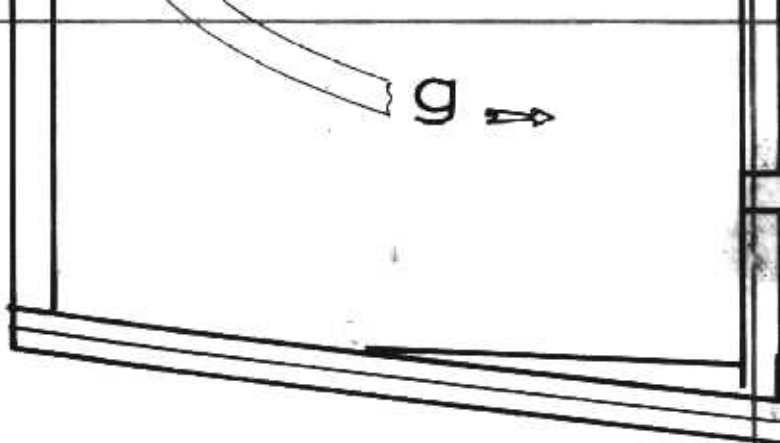
10

9

21

21



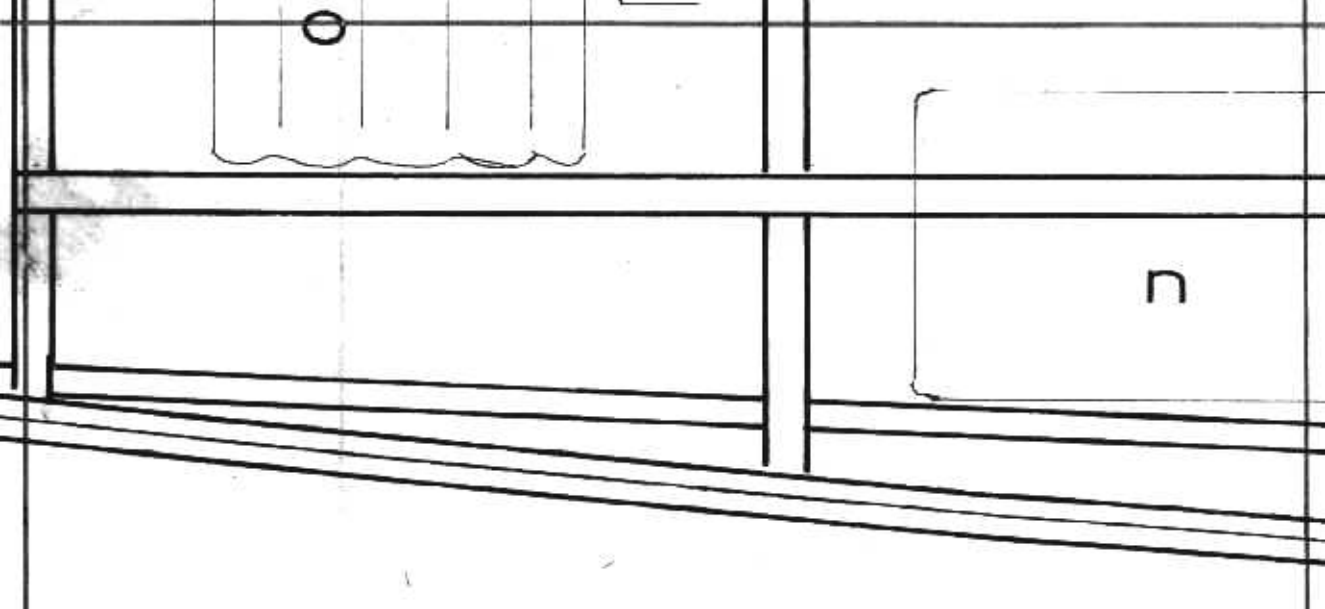


DM 2

MAS 562

2.

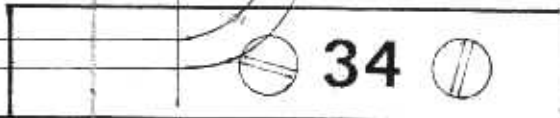
TAVO



A technical architectural drawing showing a cross-section of a window and a railing. The window is at the top, with a small circle 'o' in the upper left pane. Below the window is a horizontal railing with a vertical post. The railing has a top rail and a bottom rail, with a gap between them. The drawing is enclosed in a grid.

2.2.69

AVOLA 2

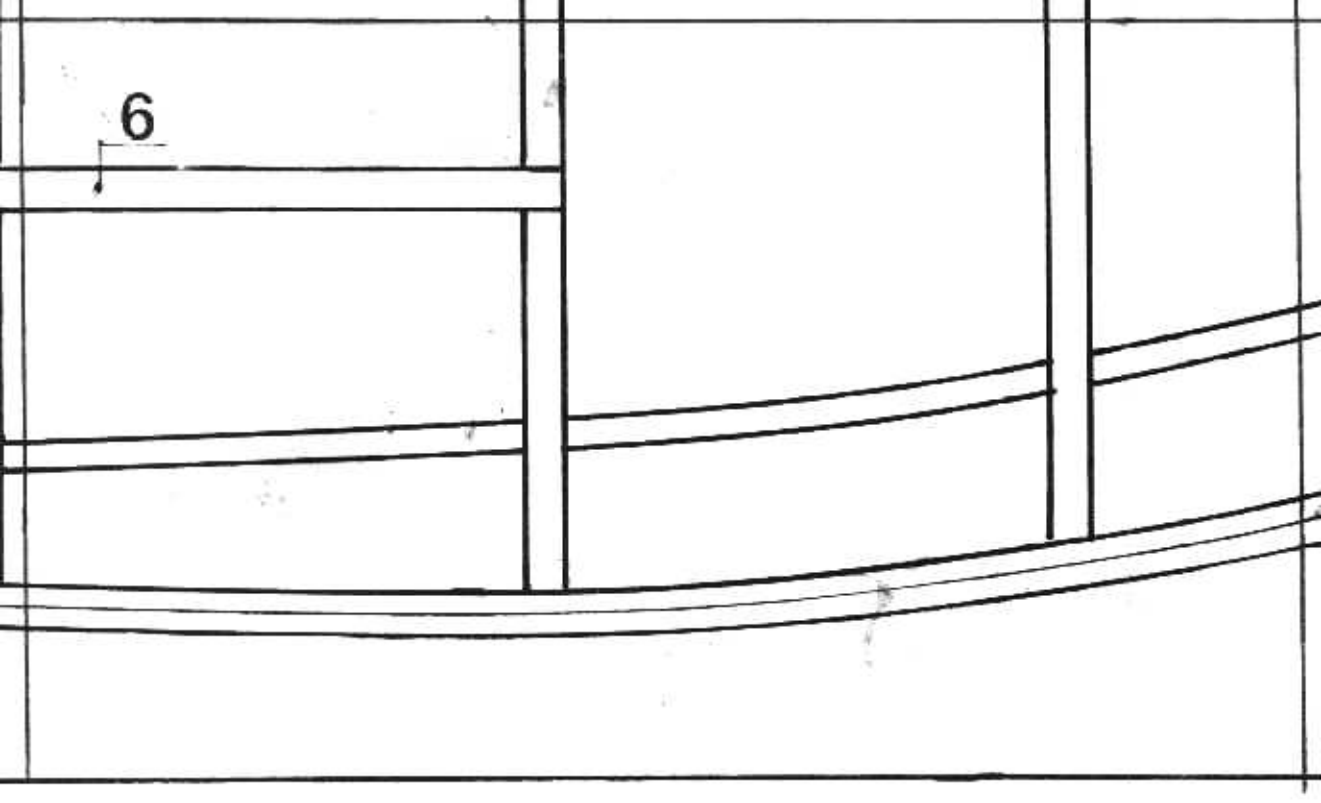


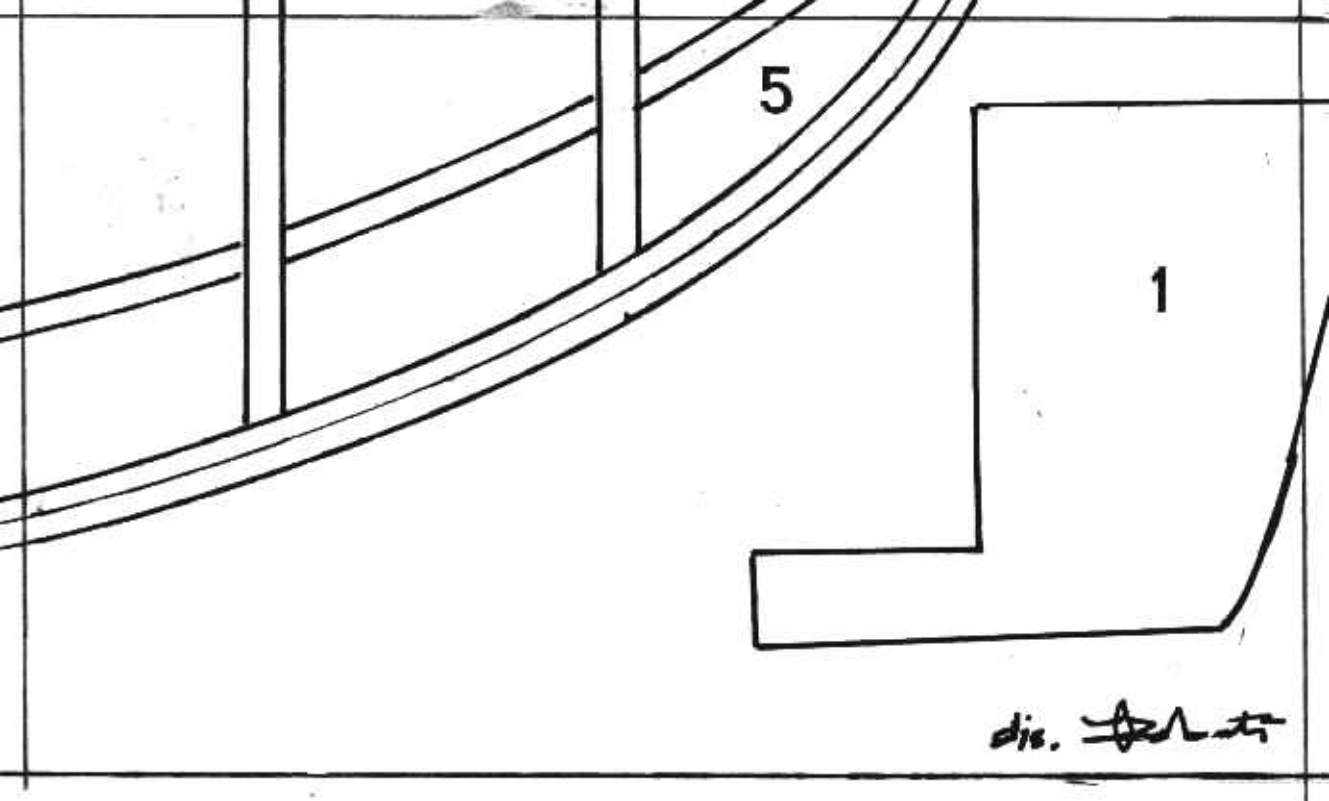
34





6





5

1

dis. [signature]

